

LC-MB12: A Technical Guide to a Selective FGFR2 Degradator

Author: BenchChem Technical Support Team. **Date:** April 2026

Compound of Interest

Compound Name: LC-MB12
Cat. No.: B12396849

[Get Quote](#)

For Researchers, Scientists, and Drug Development Professionals

Abstract

LC-MB12 is a novel, orally bioavailable proteolysis-targeting chimera (PROTAC) designed to selectively target and degrade Fibroblast Growth Factor Receptor 2 (FGFR2).[1][2][3] As a heterobifunctional molecule, **LC-MB12** is composed of a ligand for the E3 ubiquitin ligase Cereblon (CRBN) and a potent FGFR2 inhibitor, BGJ398, joined by a rigid linker.[3][4] This unique construction facilitates the ubiquitination and subsequent proteasomal degradation of FGFR2, offering a promising therapeutic strategy for cancers driven by aberrant FGFR2 signaling, particularly gastric cancer.[2][5] This document provides a comprehensive overview of the chemical structure, physicochemical properties, mechanism of action, and key experimental data related to **LC-MB12**.

Chemical Structure and Properties

LC-MB12 is chemically identified as 3-(2,6-Dichloro-3,5-dimethoxyphenyl)-1-(6-((4-(4-(1-(2-(2,6-dioxopiperidin-3-yl)-1,3-dioxoisindolin-5-yl)piperidine-4-carbonyl)piperazin-1-yl)phenyl)amino)pyrimidin-4-yl)-1-methylurea.[1]

Table 1: Physicochemical Properties of **LC-MB12**[1]

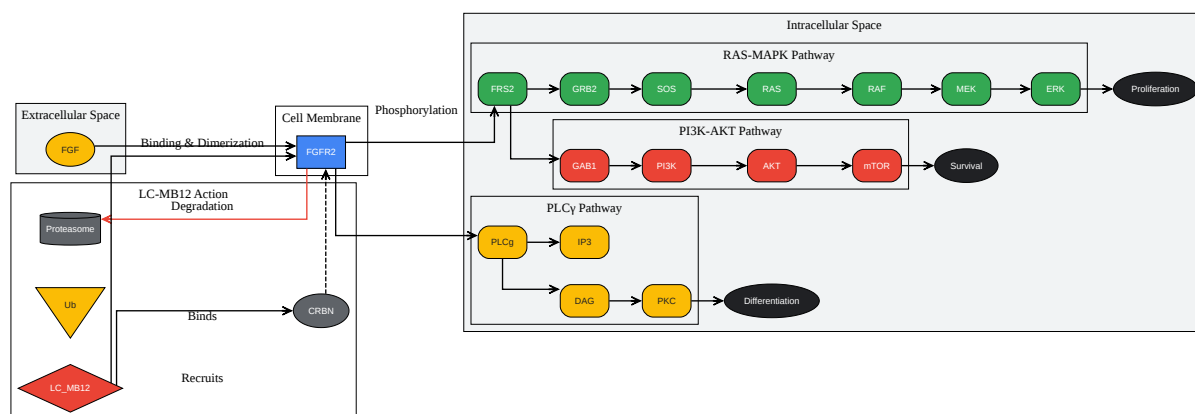
Property	Value
Chemical Formula	C43H44Cl2N10O8
Molecular Weight	899.79 g/mol
Exact Mass	898.2721
Elemental Analysis	C, 57.40%; H, 4.93%; Cl, 7.88%; N, 15.57%; O, 14.22%

Mechanism of Action

LC-MB12 functions as a PROTAC, inducing the degradation of FGFR2. The molecule's BGJ398 moiety binds to the FGFR2 protein, while the CRBN ligand recruits the E3 ubiquitin ligase complex. This proximity induces the polyubiquitination of FGFR2, marking it for degradation by the proteasome. This degradation-based mechanism distinguishes **LC-MB12** from traditional small-molecule inhibitors that only block the receptor's kinase activity.

FGFR2 Signaling Pathway and Inhibition by **LC-MB12**

The Fibroblast Growth Factor Receptor 2 (FGFR2) is a receptor tyrosine kinase that, upon binding to fibroblast growth factors (FGFs), dimerizes and autophosphorylates its intracellular kinase domains. This activation triggers a cascade of downstream signaling pathways, primarily the RAS-MAPK-ERK and PI3K-AKT pathways, which are crucial for cell proliferation, survival, and differentiation.[6] In many cancers, aberrant FGFR2 activation leads to uncontrolled tumor growth. **LC-MB12**-mediated degradation of FGFR2 effectively shuts down these downstream signaling cascades.



[Click to download full resolution via product page](#)

Caption: FGFR2 signaling pathway and its inhibition by **LC-MB12**.

Biological Activity

In Vitro Activity

LC-MB12 has demonstrated potent and selective degradation of FGFR2 in various cancer cell lines.

Table 2: In Vitro Activity of **LC-MB12**

Cell Line	Assay Type	Metric	Value (nM)
KATO III	Degradation	DC50	11.8[3][4]
KATO III	Growth Inhibition	IC50	29.1[4]
SNU-16	Growth Inhibition	IC50	3.7[4]
NCI-H716	Growth Inhibition	IC50	3.2[4]

In KATO III cells, **LC-MB12** induced FGFR2 degradation in a time-dependent manner.[3][4] Furthermore, treatment with 100 nM **LC-MB12** for 6 hours resulted in a 77% reduction of FGFR2 in KATO III cells and a 43% reduction in NCI-H1581 cells.[3][4] **LC-MB12** also induced G0/G1 phase cell cycle arrest in KATO III cells.[4]

In Vivo Activity

The anti-tumor efficacy of **LC-MB12** has been evaluated in xenograft mouse models.

Table 3: In Vivo Pharmacokinetics and Efficacy of **LC-MB12** in Mice[4]

Parameter	Value	Conditions
Tumor Growth Inhibition	63.1%	20 mg/kg/day, p.o., 15 days in SNU-16 xenograft
Cmax	-	2.6 h at 20 mg/kg, p.o.
Oral Bioavailability (F)	13%	20 mg/kg, p.o.

LC-MB12 was well-tolerated in mice at a dose of 20 mg/kg, p.o. for 30 days, with no apparent hepatotoxicity or nephrotoxicity.[4]

Experimental Protocols

The following are generalized protocols for key assays used in the characterization of **LC-MB12**. For specific details, refer to the primary publication.

Cell Viability Assay (MTT Assay)

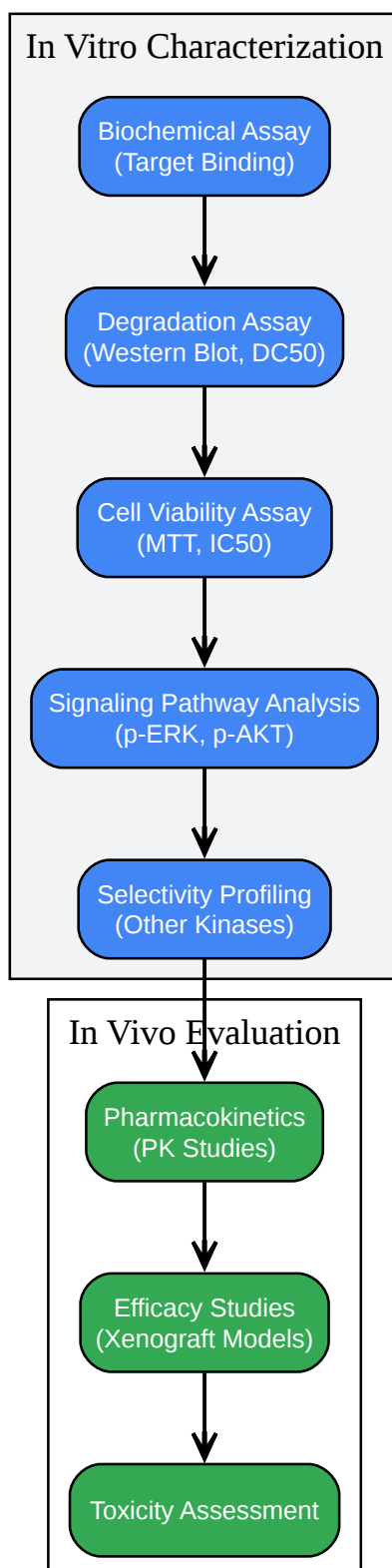
- **Cell Seeding:** Plate cells in a 96-well plate at a predetermined density and allow them to adhere overnight.
- **Compound Treatment:** Treat the cells with serial dilutions of **LC-MB12** or vehicle control and incubate for a specified period (e.g., 72 hours).
- **MTT Addition:** Add MTT solution to each well to a final concentration of 0.5 mg/mL and incubate for 2-4 hours at 37°C.
- **Solubilization:** Add a solubilization solution (e.g., DMSO or a detergent-based buffer) to each well to dissolve the formazan crystals.
- **Absorbance Reading:** Measure the absorbance at 570 nm using a microplate reader.
- **Data Analysis:** Calculate the IC₅₀ values by plotting the percentage of cell viability against the logarithm of the compound concentration.

Western Blot for FGFR2 Degradation

- **Cell Lysis:** After treatment with **LC-MB12** or vehicle, wash the cells with ice-cold PBS and lyse them in RIPA buffer containing protease and phosphatase inhibitors.
- **Protein Quantification:** Determine the protein concentration of the lysates using a BCA or Bradford assay.
- **SDS-PAGE:** Separate equal amounts of protein from each sample on an SDS-polyacrylamide gel.
- **Protein Transfer:** Transfer the separated proteins to a PVDF or nitrocellulose membrane.
- **Blocking:** Block the membrane with 5% non-fat milk or BSA in TBST for 1 hour at room temperature.
- **Primary Antibody Incubation:** Incubate the membrane with a primary antibody against FGFR2 and a loading control (e.g., GAPDH or β -actin) overnight at 4°C.

- Secondary Antibody Incubation: Wash the membrane with TBST and incubate with an appropriate HRP-conjugated secondary antibody for 1 hour at room temperature.
- Detection: Visualize the protein bands using an enhanced chemiluminescence (ECL) substrate and an imaging system.
- Densitometry Analysis: Quantify the band intensities to determine the extent of protein degradation.

Experimental Workflow for PROTAC Characterization



[Click to download full resolution via product page](#)

Caption: A typical experimental workflow for PROTAC characterization.

Conclusion

LC-MB12 is a potent and selective FGFR2-degrading PROTAC with demonstrated anti-tumor activity in preclinical models of gastric cancer. Its ability to induce the degradation of FGFR2 offers a distinct and potentially more durable therapeutic effect compared to traditional kinase inhibitors. The data presented herein support the continued investigation of **LC-MB12** as a promising therapeutic candidate for FGFR2-driven malignancies. Further studies are warranted to explore its full clinical potential.

Need Custom Synthesis?

BenchChem offers custom synthesis for rare earth carbides and specific isotopic labeling.

Email: info@benchchem.com or [Request Quote Online](#).

References

- [1. medkoo.com](https://www.medkoo.com) [[medkoo.com](https://www.medkoo.com)]
- [2. Discovery of a Selective and Orally Bioavailable FGFR2 Degradator for Treating Gastric Cancer - PubMed](#) [pubmed.ncbi.nlm.nih.gov]
- [3. medchemexpress.com](https://www.medchemexpress.com) [[medchemexpress.com](https://www.medchemexpress.com)]
- [4. cancer-research-network.com](https://www.cancer-research-network.com) [[cancer-research-network.com](https://www.cancer-research-network.com)]
- [5. Collection - Discovery of a Selective and Orally Bioavailable FGFR2 Degradator for Treating Gastric Cancer - Journal of Medicinal Chemistry - Figshare](#) [[acs.figshare.com](https://www.acs.figshare.com)]
- [6. The Fibroblast Growth Factor signaling pathway - PMC](#) [[pmc.ncbi.nlm.nih.gov](https://pubmed.ncbi.nlm.nih.gov)]
- To cite this document: BenchChem. [LC-MB12: A Technical Guide to a Selective FGFR2 Degradator]. BenchChem, [2026]. [Online PDF]. Available at: [<https://www.benchchem.com/product/b12396849/docs#lc-mb12-a-technical-guide-to-a-selective-fgfr2-degradator>]

Disclaimer & Data Validity:

The information provided in this document is for Research Use Only (RUO) and is strictly not intended for diagnostic or therapeutic procedures. While BenchChem strives to provide

accurate protocols, we make no warranties, express or implied, regarding the fitness of this product for every specific experimental setup.

Technical Support: The protocols provided are for reference purposes. Unsure if this reagent suits your experiment?

Need Industrial/Bulk Grade? [Request Custom Synthesis Quote](#)

BenchChem

Our mission is to be the trusted global source of essential and advanced chemicals, empowering scientists and researchers to drive progress in science and industry.

Contact

Address: 3281 E Guasti Rd

Ontario, CA 91761, United States

Phone: (601) 213-4426

Email: info@benchchem.com

[Contact our Ph.D. Support Team for a compatibility check](#)