

Application Notes and Protocols for Assessing the Cell Permeability of 2-Benzylthioadenosine

Author: BenchChem Technical Support Team. **Date:** April 2026

Compound of Interest

Compound Name: 2-Benzylthioadenosine

Cat. No.: B12394462

[Get Quote](#)

For Researchers, Scientists, and Drug Development Professionals

Introduction

2-Benzylthioadenosine is a synthetic derivative of the endogenous nucleoside adenosine. As with many nucleoside analogs developed for therapeutic purposes, its efficacy is critically dependent on its ability to cross the cell membrane and reach intracellular targets.

Understanding the cell permeability of **2-Benzylthioadenosine** is therefore a crucial step in its preclinical development.

These application notes provide a comprehensive overview of the methodologies available for assessing the cell permeability of **2-Benzylthioadenosine**. We present detailed protocols for three widely accepted assays: the Parallel Artificial Membrane Permeability Assay (PAMPA), the Caco-2 permeability assay, and a cellular uptake assay. Additionally, we provide a diagram of the adenosine signaling pathway to offer context for the potential intracellular mechanisms of action of **2-Benzylthioadenosine**.

Data Presentation

The following tables are designed to structure the quantitative data obtained from the described experimental protocols, allowing for clear comparison and interpretation.

Table 1: PAMPA Permeability Data

Compound	Apparent Permeability (Papp) (x 10 ⁻⁶ cm/s)	Mass Retention (%)
2-Benzylthioadenosine		
High Permeability Control		
Low Permeability Control		

Table 2: Caco-2 Permeability Data

Compound	Apparent Permeability (Papp) A to B (x 10 ⁻⁶ cm/s)	Apparent Permeability (Papp) B to A (x 10 ⁻⁶ cm/s)	Efflux Ratio (Papp B-A / Papp A-B)
2-Benzylthioadenosine			
Atenolol (Low Permeability)			
Propranolol (High Permeability)			

Table 3: Cellular Uptake Data

Cell Line	Time Point (min)	Intracellular Concentration of 2-Benzylthioadenosine (μM)
	5	
	15	
	30	
	60	

Experimental Protocols

Protocol 1: Parallel Artificial Membrane Permeability Assay (PAMPA)

This assay evaluates the passive diffusion of a compound across an artificial lipid membrane and is a rapid, high-throughput method for predicting passive intestinal absorption.^{[1][2][3]}

Materials:

- 96-well PAMPA plate (hydrophobic PVDF membrane)
- 96-well acceptor plate
- Lecithin solution (e.g., 1% in dodecane)
- Phosphate-buffered saline (PBS), pH 7.4
- **2-Benzylthioadenosine** stock solution (e.g., 10 mM in DMSO)
- High and low permeability control compounds
- Plate reader for UV-Vis absorbance or LC-MS/MS for analysis

Procedure:

- Membrane Coating: Carefully add 5 μL of lecithin solution to each well of the donor plate, ensuring the entire membrane surface is coated.
- Prepare Acceptor Plate: Add 300 μL of PBS to each well of the acceptor plate.
- Prepare Donor Solutions: Prepare the dosing solution of **2-Benzylthioadenosine** (e.g., 100 μM in PBS with a final DMSO concentration $\leq 1\%$). Also, prepare dosing solutions for the high and low permeability controls.
- Assay Assembly: Carefully place the donor plate onto the acceptor plate.
- Add Donor Solutions: Add 150 μL of the dosing solutions to the corresponding wells of the donor plate.
- Incubation: Cover the plate assembly to prevent evaporation and incubate at room temperature for 4-18 hours.
- Sample Analysis: After incubation, determine the concentration of **2-Benzylthioadenosine** and control compounds in both the donor and acceptor wells using a suitable analytical method (e.g., UV-Vis spectrophotometry or LC-MS/MS).

Data Analysis:

The apparent permeability coefficient (P_{app}) is calculated using the following equation:

$$P_{app} = (-V_D * V_A) / ((V_D + V_A) * A * t) * \ln(1 - [CA]_t / [C]_{equilibrium})$$

Where:

- V_D is the volume of the donor well
- V_A is the volume of the acceptor well
- A is the area of the membrane
- t is the incubation time
- $[CA]_t$ is the concentration in the acceptor well at time t

- [C]equilibrium is the theoretical equilibrium concentration

Protocol 2: Caco-2 Permeability Assay

This cell-based assay utilizes a monolayer of human colorectal adenocarcinoma cells (Caco-2), which differentiate to form a polarized epithelial cell layer that mimics the human intestinal barrier.^{[4][5][6]} This method can assess both passive diffusion and active transport.^{[4][5]}

Materials:

- Caco-2 cells (ATCC HTB-37)
- Cell culture medium (e.g., DMEM with 10% FBS, non-essential amino acids, and penicillin-streptomycin)
- Transwell® inserts (e.g., 24-well format)
- Hanks' Balanced Salt Solution (HBSS), pH 7.4
- **2-Benzylthioadenosine** stock solution
- Control compounds (e.g., atenolol for low permeability, propranolol for high permeability)
- Lucifer yellow for monolayer integrity testing
- LC-MS/MS for analysis

Procedure:

- **Cell Seeding and Differentiation:** Seed Caco-2 cells onto the apical side of the Transwell® inserts and culture for 21 days to allow for differentiation and formation of a confluent monolayer.
- **Monolayer Integrity Test:** Before the experiment, measure the transepithelial electrical resistance (TEER) of the Caco-2 monolayer. Additionally, perform a Lucifer yellow permeability assay to confirm the integrity of the tight junctions.
- **Bidirectional Permeability Assessment:**

- Apical to Basolateral (A-B) Transport:
 1. Wash the cell monolayer with pre-warmed HBSS.
 2. Add fresh HBSS to the basolateral (acceptor) compartment.
 3. Add the dosing solution of **2-Benzylthioadenosine** or control compounds to the apical (donor) compartment.
- Basolateral to Apical (B-A) Transport:
 1. Wash the cell monolayer with pre-warmed HBSS.
 2. Add fresh HBSS to the apical (acceptor) compartment.
 3. Add the dosing solution of **2-Benzylthioadenosine** or control compounds to the basolateral (donor) compartment.
- Incubation: Incubate the plates at 37°C with gentle shaking for a defined period (e.g., 2 hours).
- Sampling and Analysis: At the end of the incubation, collect samples from both the donor and acceptor compartments. Analyze the concentration of the compounds using LC-MS/MS.

Data Analysis:

The apparent permeability coefficient (P_{app}) is calculated as:

$$P_{app} = (dQ/dt) / (A * C_0)$$

Where:

- dQ/dt is the rate of permeation
- A is the surface area of the membrane
- C_0 is the initial concentration in the donor compartment

The efflux ratio is calculated as:

Efflux Ratio = $\text{Papp (B-A)} / \text{Papp (A-B)}$

An efflux ratio greater than 2 suggests that the compound is a substrate for active efflux transporters.[5]

Protocol 3: Cellular Uptake Assay

This assay directly measures the accumulation of **2-Benzylthioadenosine** within cells over time.

Materials:

- Selected cell line(s) relevant to the therapeutic target
- Cell culture medium
- Phosphate-buffered saline (PBS)
- **2-Benzylthioadenosine**
- Lysis buffer (e.g., RIPA buffer)
- LC-MS/MS for quantification

Procedure:

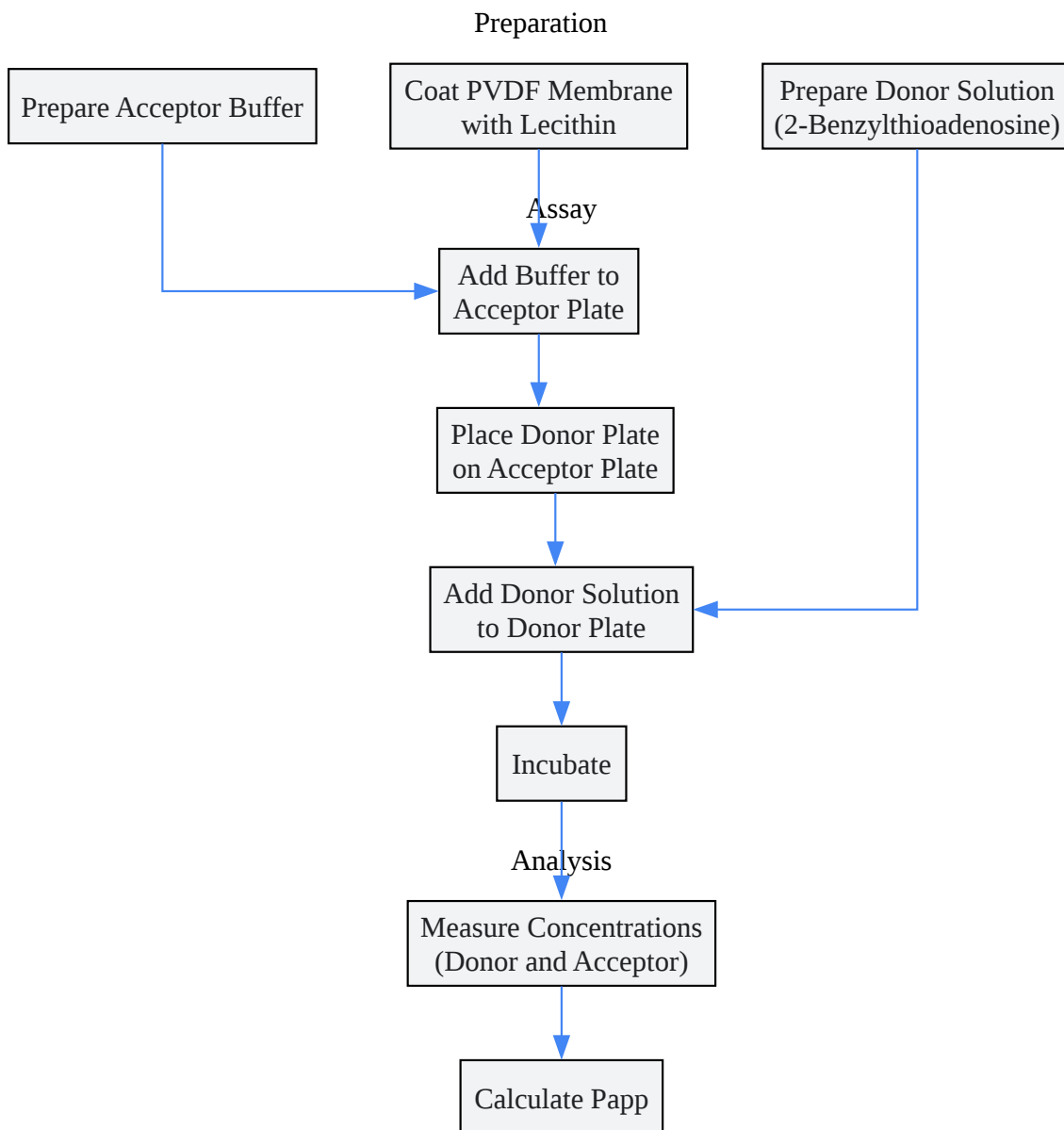
- **Cell Seeding:** Seed cells in a multi-well plate and allow them to adhere and grow to a desired confluency.
- **Compound Incubation:** Replace the culture medium with a medium containing a known concentration of **2-Benzylthioadenosine**. Incubate at 37°C for various time points (e.g., 5, 15, 30, 60 minutes).
- **Cell Washing:** At each time point, rapidly wash the cells three times with ice-cold PBS to remove any extracellular compound.
- **Cell Lysis:** Add lysis buffer to each well to lyse the cells and release the intracellular contents.

- Sample Preparation: Collect the cell lysates and centrifuge to pellet cellular debris.
- Quantification: Analyze the concentration of **2-Benzylthioadenosine** in the cell lysates using LC-MS/MS. The protein concentration of each lysate should also be determined (e.g., using a BCA assay) to normalize the data.

Data Analysis:

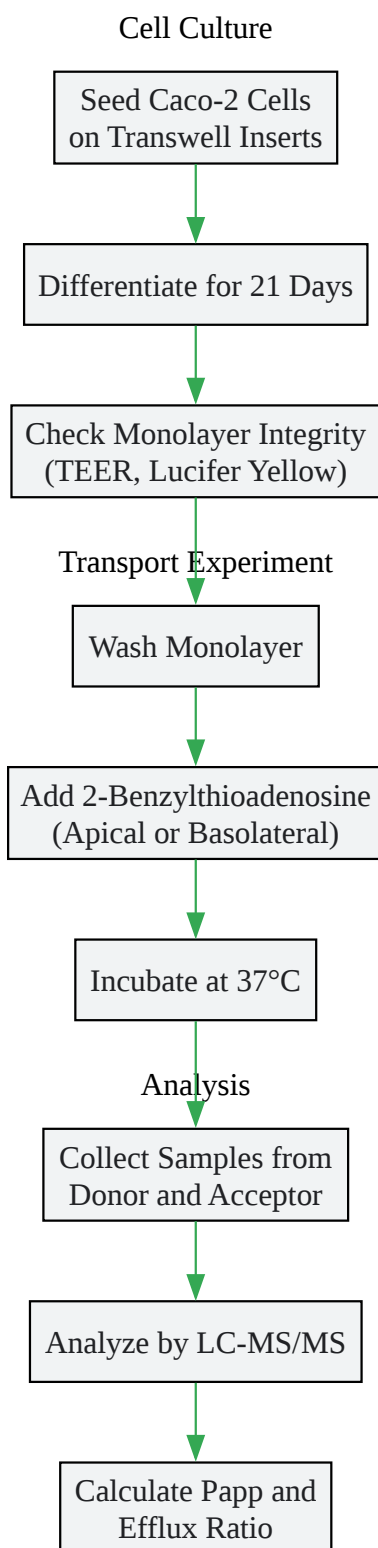
The intracellular concentration of **2-Benzylthioadenosine** is typically expressed as the amount of compound per milligram of total cell protein.

Mandatory Visualizations



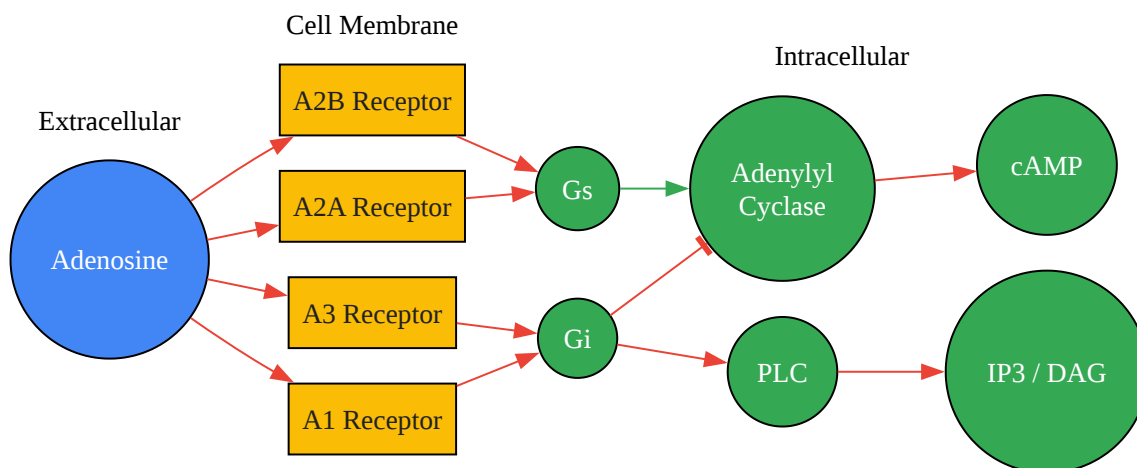
[Click to download full resolution via product page](#)

PAMPA Experimental Workflow



[Click to download full resolution via product page](#)

Caco-2 Permeability Assay Workflow



[Click to download full resolution via product page](#)

Adenosine Signaling Pathway

Need Custom Synthesis?

BenchChem offers custom synthesis for rare earth carbides and specific isotopic labeling.

Email: info@benchchem.com or [Request Quote Online](#).

References

- 1. Parallel Artificial Membrane Permeability Assay (PAMPA) Protocol - Creative Bioarray [dda.creative-bioarray.com]
- 2. PAMPA | Evotec [evotec.com]
- 3. cdn.technologynetworks.com [cdn.technologynetworks.com]
- 4. enamine.net [enamine.net]
- 5. Caco-2 Permeability | Evotec [evotec.com]
- 6. Caco-2 permeability assay - Creative Bioarray | Creative Bioarray [creative-bioarray.com]

- To cite this document: BenchChem. [Application Notes and Protocols for Assessing the Cell Permeability of 2-Benzylthioadenosine]. BenchChem, [2026]. [Online PDF]. Available at: [<https://www.benchchem.com/product/b12394462/docs#application-notes-and-protocols-for-assessing-the-cell-permeability-of-2-benzylthioadenosine>]

Disclaimer & Data Validity:

The information provided in this document is for Research Use Only (RUO) and is strictly not intended for diagnostic or therapeutic procedures. While BenchChem strives to provide accurate protocols, we make no warranties, express or implied, regarding the fitness of this product for every specific experimental setup.

Technical Support: The protocols provided are for reference purposes. Unsure if this reagent suits your experiment?

Need Industrial/Bulk Grade? [Request Custom Synthesis Quote](#)

BenchChem

Our mission is to be the trusted global source of essential and advanced chemicals, empowering scientists and researchers to drive progress in science and industry.

Contact

Address: 3281 E Guasti Rd

Ontario, CA 91761, United States

Phone: (601) 213-4426

Email: info@benchchem.com

[Contact our Ph.D. Support Team for a compatibility check](#)