

N1-Azido-spermine Trihydrochloride: A Technical Guide for Advancing Polyamine Research

Author: BenchChem Technical Support Team. **Date:** April 2026

Compound of Interest

Compound Name: *N1-Azido-spermine trihydrochloride*

Cat. No.: *B12392059*

[Get Quote](#)

For Researchers, Scientists, and Drug Development Professionals

Abstract

Polyamines, including spermine, are crucial polycationic molecules essential for a myriad of cellular processes, from cell growth and differentiation to the regulation of gene expression. Dysregulation of polyamine metabolism is a hallmark of various diseases, most notably cancer, making the enzymes and binding proteins within this pathway attractive targets for therapeutic intervention. **N1-Azido-spermine trihydrochloride** has emerged as a powerful chemical probe in the field of polyamine research. Its strategically incorporated azide group allows for the versatile introduction of reporter tags via bioorthogonal "click" chemistry. This enables researchers to identify and characterize polyamine-binding proteins, visualize polyamine localization within cellular compartments, and elucidate the intricate roles of polyamines in complex signaling networks. This technical guide provides an in-depth overview of the role of **N1-Azido-spermine trihydrochloride** in polyamine research, complete with experimental protocols and data presentation to facilitate its application in the laboratory.

Introduction to N1-Azido-spermine Trihydrochloride

N1-Azido-spermine trihydrochloride is a synthetic analog of the endogenous polyamine spermine. It features an azide moiety at the N1 position, which serves as a chemical handle for covalent modification through click chemistry.[1][2] This bioorthogonal reaction allows for the specific and efficient attachment of various reporter molecules, such as fluorophores for imaging or biotin for affinity purification and identification of interacting partners. The trihydrochloride salt form enhances the compound's solubility and stability for use in biological experiments.[3]

Chemical and Physical Properties

Property	Value
Synonyms	Spermine(HHHN3) trihydrochloride
CAS Number	1823475-98-4
Molecular Formula	C10H27Cl3N6
Molecular Weight	337.72 g/mol
Appearance	Solid
Storage	Store at -20°C for up to 1 month or at -80°C for up to 6 months.[1]
Solubility	Soluble in water.

Role in Polyamine Research

The primary utility of **N1-Azido-spermine trihydrochloride** lies in its application as a chemical probe to investigate the complex biology of polyamines. Its structural similarity to spermine allows it to interact with the cellular machinery that recognizes and utilizes natural polyamines, including transporters and binding proteins. The azide group then provides a powerful tool for downstream analysis.

Identification of Polyamine-Binding Proteins

A key application of **N1-Azido-spermine trihydrochloride** is the identification of proteins that interact with spermine. By treating cells or cell lysates with this probe, it can occupy the binding sites of spermine-interacting proteins. Subsequent click chemistry with an alkyne-tagged reporter molecule, such as biotin, allows for the enrichment of these protein complexes using streptavidin-coated beads. The enriched proteins can then be identified and quantified using mass spectrometry-based proteomics.[4][5] This approach provides a global view of the spermine interactome within a given cellular context.

Visualization of Polyamine Localization

Understanding the subcellular distribution of polyamines is crucial to unraveling their diverse functions. **N1-Azido-spermine trihydrochloride**, when coupled with a fluorescent alkyne via click chemistry, enables the visualization of spermine localization within cells using fluorescence microscopy.[2] This technique can reveal the accumulation of spermine in specific organelles or cellular compartments, providing insights into its sites of action.

Investigating Polyamine Metabolism and Transport

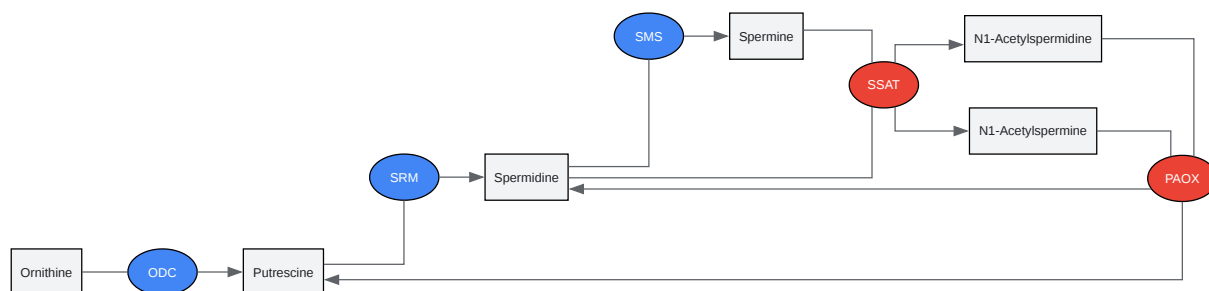
N1-Azido-spermine can also serve as a tool to study the enzymes and transporters involved in polyamine metabolism and transport. By competing with natural spermine, it can be used to probe the substrate specificity of enzymes like spermidine/spermine N1-acetyltransferase (SSAT), a key enzyme in polyamine catabolism.[6][7] Furthermore, its uptake into cells can be monitored to characterize the activity and regulation of polyamine transporters.[8]

Key Signaling Pathways and Experimental Workflows

The study of polyamines is intrinsically linked to various signaling pathways that control cell proliferation, survival, and metabolism. **N1-Azido-spermine trihydrochloride** can be a valuable tool to dissect these connections.

Polyamine Metabolism Pathway

Polyamines are synthesized from amino acid precursors and their intracellular concentrations are tightly regulated through a complex network of biosynthetic and catabolic enzymes. A key regulatory enzyme is spermidine/spermine N1-acetyltransferase (SSAT), which acetylates spermine and spermidine, marking them for export or degradation.[6][9]

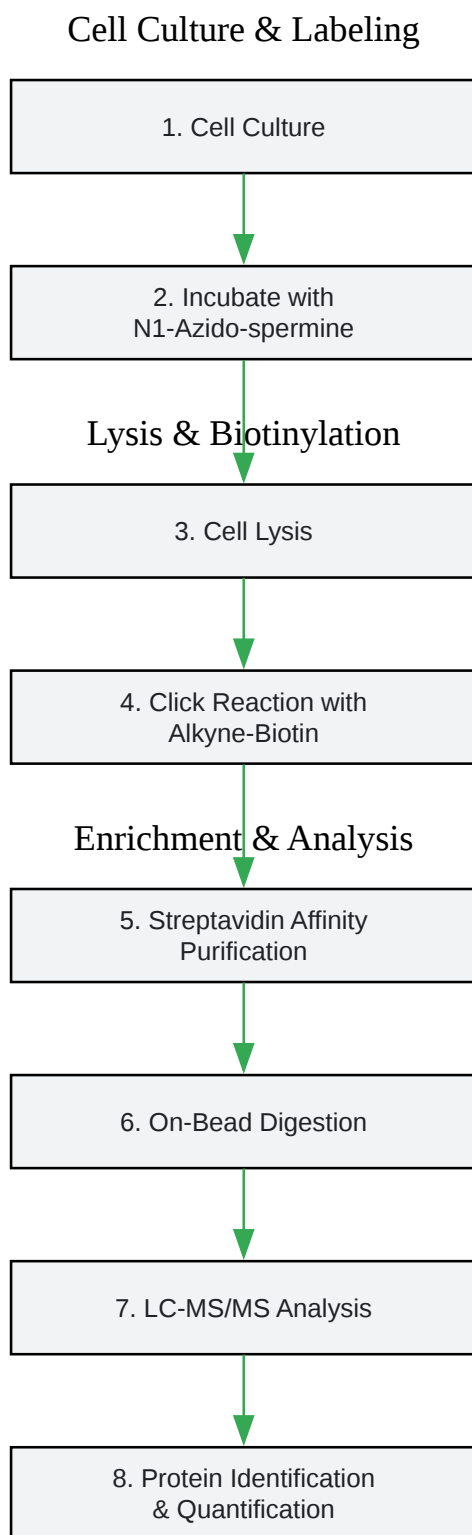


[Click to download full resolution via product page](#)

Figure 1: Simplified overview of the polyamine metabolism pathway.

Workflow for Identifying Polyamine-Binding Proteins

The following workflow outlines the general steps for identifying spermine-binding proteins using **N1-Azido-spermine trihydrochloride** and quantitative proteomics.

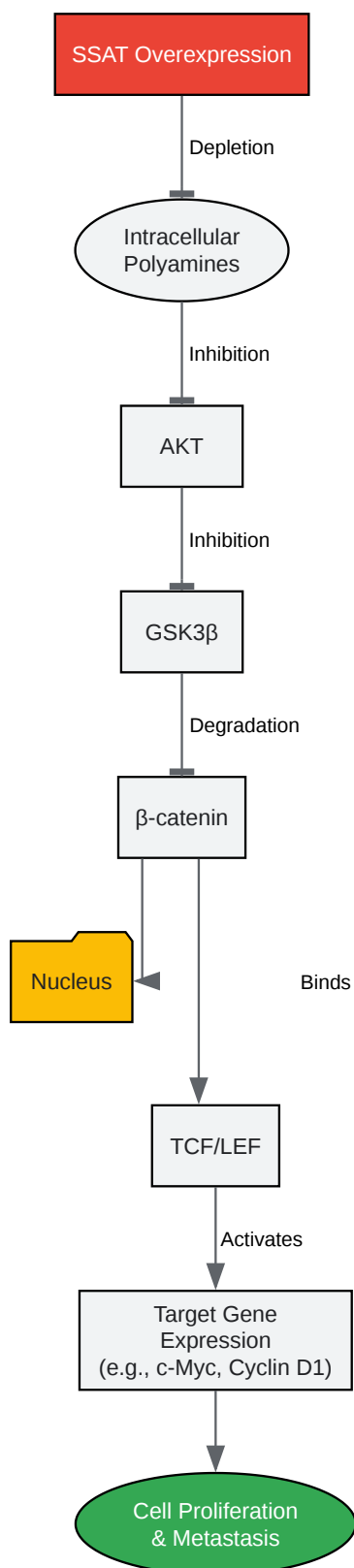


[Click to download full resolution via product page](#)

Figure 2: Experimental workflow for target identification.

Polyamine Metabolism and the AKT/ β -catenin Signaling Pathway

Recent studies have indicated that the depletion of polyamines through the overexpression of SSAT can inhibit cell proliferation and metastasis by modulating the AKT/GSK3 β / β -catenin signaling pathway.[\[10\]](#)[\[11\]](#) This highlights a crucial link between polyamine metabolism and a central pathway in cancer biology. N1-Azido-spermine can be used to investigate how modulating polyamine interactions affects the components of this pathway.



[Click to download full resolution via product page](#)

Figure 3: Link between SSAT, polyamines, and AKT/β-catenin signaling.

Experimental Protocols

General Protocol for Copper-Catalyzed Click Chemistry (CuAAC) in Cell Lysates

This protocol provides a starting point for labeling proteins in cell lysates that have been treated with **N1-Azido-spermine trihydrochloride**. Optimization may be required depending on the specific application.[\[12\]](#)[\[13\]](#)[\[14\]](#)

Materials:

- Cell lysate containing proteins labeled with N1-Azido-spermine
- Alkyne-biotin or alkyne-fluorophore
- Tris(3-hydroxypropyltriazolylmethyl)amine (THPTA)
- Copper(II) sulfate (CuSO₄)
- Sodium ascorbate
- Phosphate-buffered saline (PBS)
- DMSO

Procedure:

- Prepare Stock Solutions:
 - 10 mM Azide or Alkyne detection reagent in DMSO or water.
 - 100 mM THPTA in water.
 - 20 mM CuSO₄ in water.
 - 300 mM Sodium Ascorbate in water (prepare fresh).
- Reaction Setup (for a 50 µL lysate sample):

- To a microcentrifuge tube, add:
 - 50 μ L of protein lysate (1-5 mg/mL).
 - 100 μ L of PBS buffer.
 - 4 μ L of the alkyne detection reagent (final concentration \sim 20 μ M).
- Vortex briefly to mix.
- Add Click Reaction Components:
 - Add 10 μ L of 100 mM THPTA solution and vortex.
 - Add 10 μ L of 20 mM CuSO₄ solution and vortex.
 - To initiate the reaction, add 10 μ L of 300 mM sodium ascorbate solution and vortex.
- Incubation:
 - Protect the reaction from light and incubate for 30 minutes at room temperature.
- Downstream Processing:
 - The click-labeled proteins in the lysate are now ready for downstream applications such as affinity purification or in-gel fluorescence analysis.

Protocol for In-Gel Fluorescence Analysis of Labeled Proteins

This protocol describes the visualization of fluorescently tagged proteins after separation by SDS-PAGE.^{[1][15][16]}

Materials:

- Click-labeled protein sample
- SDS-PAGE gel

- Fluorescence gel scanner
- Fixing solution (e.g., 50% methanol, 10% acetic acid) (optional)
- Coomassie Brilliant Blue stain (for total protein visualization)

Procedure:

- Sample Preparation for SDS-PAGE:
 - To the click-labeled protein sample, add the appropriate volume of 4x Laemmli sample buffer and boil at 95°C for 5 minutes.
- SDS-PAGE:
 - Load the samples onto a polyacrylamide gel and run the electrophoresis according to standard procedures.
- In-Gel Fluorescence Scanning:
 - After electrophoresis, carefully remove the gel from the cassette.
 - (Optional) For sharper bands, the gel can be fixed in a fixing solution for 15-30 minutes, followed by washing with water.
 - Place the gel on a fluorescence gel scanner and scan at the appropriate excitation and emission wavelengths for the chosen fluorophore.
- Total Protein Staining:
 - After fluorescence scanning, the gel can be stained with Coomassie Brilliant Blue to visualize the total protein loading in each lane.

Mass Spectrometry-Based Identification of Polyaminated Proteins

This protocol provides a general workflow for identifying proteins that are covalently modified by polyamines, which can be adapted for use with N1-Azido-spermine labeled and biotin-

enriched samples.[\[17\]](#)[\[18\]](#)[\[19\]](#)

Materials:

- Biotin-enriched protein samples on streptavidin beads
- Reduction solution (e.g., 10 mM DTT)
- Alkylation solution (e.g., 55 mM iodoacetamide)
- Trypsin
- Ammonium bicarbonate buffer
- LC-MS/MS system

Procedure:

- On-Bead Digestion:
 - Wash the streptavidin beads with the enriched protein complexes several times with ammonium bicarbonate buffer.
 - Resuspend the beads in ammonium bicarbonate buffer and add DTT to a final concentration of 10 mM. Incubate at 56°C for 30 minutes to reduce disulfide bonds.
 - Cool to room temperature and add iodoacetamide to a final concentration of 55 mM. Incubate in the dark for 20 minutes to alkylate cysteine residues.
 - Add trypsin and incubate overnight at 37°C to digest the proteins into peptides.
- Peptide Elution and Desalting:
 - Centrifuge the beads and collect the supernatant containing the digested peptides.
 - Desalt the peptides using a C18 StageTip or equivalent.
- LC-MS/MS Analysis:

- Analyze the desalted peptides by LC-MS/MS.
- Data Analysis:
 - Search the acquired MS/MS data against a protein database using a search engine (e.g., Mascot, MaxQuant) to identify the proteins. The search parameters should be set to include the mass shift corresponding to the biotinylated N1-Azido-spermine tag on lysine or other potential amine-containing residues.

Quantitative Data

While specific binding affinities (Kd) or inhibitory constants (IC50/Ki) for **N1-Azido-spermine trihydrochloride** with specific polyamine-binding proteins or enzymes are not extensively reported in the literature, the following table provides relevant quantitative data for the polyamine pathway to serve as a reference for experimental design.

Enzyme	Substrate/Inhibitor	Parameter	Value	Organism/System
Spermidine/spermine N1-acetyltransferase (SSAT)	Spermidine	Km	130 μ M	Rat Liver
Spermine	Km	~130 μ M	Rat Liver	
N1,N11-diethylnorspermine (DENSpn)	-	Inducer of SSAT activity	Cultured Adipocytes	
Cibacron F3GA	Ki	0.7 μ M	Rat Liver	
Coomassie Brilliant Blue	Ki	52 μ M	Rat Liver	

This data is provided as a reference for the general activity of the polyamine metabolic pathway and is not specific to **N1-Azido-spermine trihydrochloride**.[\[20\]](#)[\[21\]](#)[\[22\]](#)

Conclusion

N1-Azido-spermine trihydrochloride is a versatile and indispensable tool for the modern polyamine researcher. Its ability to be incorporated into cellular systems and subsequently tagged via click chemistry opens up a wide array of experimental possibilities, from the unbiased discovery of novel polyamine-interacting proteins to the detailed visualization of their subcellular dynamics. The protocols and information provided in this guide are intended to serve as a comprehensive resource for scientists and drug development professionals seeking to leverage this powerful chemical probe to advance our understanding of polyamine biology and its role in health and disease. As research in this field continues to evolve, the applications of N1-Azido-spermine and similar chemical tools will undoubtedly expand, leading to new insights and therapeutic opportunities.

Safety and Handling

N1-Azido-spermine trihydrochloride should be handled with care in a laboratory setting. Wear appropriate personal protective equipment (PPE), including gloves, lab coat, and eye protection. Avoid inhalation of dust and contact with skin and eyes. In case of contact, wash the affected area thoroughly with water. For detailed safety information, refer to the manufacturer's Safety Data Sheet (SDS).^{[16][23][24]}

Need Custom Synthesis?

BenchChem offers custom synthesis for rare earth carbides and specific isotopic labeling.

Email: info@benchchem.com or [Request Quote Online](#).

References

- 1. Preparation of Protein Lysates Using Biorthogonal Chemical Reporters for Click Reaction and in-Gel Fluorescence Analysis - PMC [[pmc.ncbi.nlm.nih.gov](https://pubmed.ncbi.nlm.nih.gov)]
- 2. [researchgate.net](https://www.researchgate.net) [[researchgate.net](https://www.researchgate.net)]
- 3. [medchemexpress.com](https://www.medchemexpress.com) [[medchemexpress.com](https://www.medchemexpress.com)]
- 4. PRIDE - PRoteomics IDentifications Database [[ebi.ac.uk](https://www.ebi.ac.uk)]
- 5. Spermidine/spermine-N(1)-acetyltransferase: a key metabolic regulator - PubMed [pubmed.ncbi.nlm.nih.gov]

- 6. Spermidine/spermine N1-acetyltransferase--the turning point in polyamine metabolism - PubMed [pubmed.ncbi.nlm.nih.gov]
- 7. Spermidine/spermine N1-acetyltransferase — the turning point in polyamine metabolism | Semantic Scholar [semanticscholar.org]
- 8. Investigation of the polyamine biosynthetic and transport capability of *Streptococcus agalactiae*: the non-essential PotABCD transporter - PMC [pmc.ncbi.nlm.nih.gov]
- 9. Polyamine metabolism is involved in adipogenesis of 3T3-L1 cells - PMC [pmc.ncbi.nlm.nih.gov]
- 10. Spermidine/spermine N1-acetyltransferase regulates cell growth and metastasis via AKT/ β -catenin signaling pathways in hepatocellular and colorectal carcinoma cells - PMC [pmc.ncbi.nlm.nih.gov]
- 11. Spermidine/spermine N1-acetyltransferase regulates cell growth and metastasis via AKT/ β -catenin signaling pathways in hepatocellular and colorectal carcinoma cells - PubMed [pubmed.ncbi.nlm.nih.gov]
- 12. confluore.com.cn [confluore.com.cn]
- 13. broadpharm.com [broadpharm.com]
- 14. vectorlabs.com [vectorlabs.com]
- 15. Protocol for clickable photoaffinity labeling and quantitative chemical proteomics - PMC [pmc.ncbi.nlm.nih.gov]
- 16. Preparation of Protein Lysates Using Biorthogonal Chemical Reporters for Click Reaction and in-Gel Fluorescence Analysis - PubMed [pubmed.ncbi.nlm.nih.gov]
- 17. Uncovering protein polyamination by the spermine-specific antiserum and mass spectrometric analysis - PubMed [pubmed.ncbi.nlm.nih.gov]
- 18. researchgate.net [researchgate.net]
- 19. Mass Spectrometry of Putrescine, Spermidine, and Spermine Covalently Attached to *Francisella tularensis* Universal Stress Protein and Bovine Albumin - PMC [pmc.ncbi.nlm.nih.gov]
- 20. Studies of the acetyl-CoA-binding site of rat liver spermidine/spermine N1-acetyltransferase - PMC [pmc.ncbi.nlm.nih.gov]
- 21. Studies of the acetyl-CoA-binding site of rat liver spermidine/spermine N1-acetyltransferase - PubMed [pubmed.ncbi.nlm.nih.gov]
- 22. Studies of the specificity and kinetics of rat liver spermidine/spermine N1-acetyltransferase - PubMed [pubmed.ncbi.nlm.nih.gov]

- [23. pubs.acs.org \[pubs.acs.org\]](https://pubs.acs.org)
- [24. researchgate.net \[researchgate.net\]](https://researchgate.net)
- To cite this document: BenchChem. [N1-Azido-spermine Trihydrochloride: A Technical Guide for Advancing Polyamine Research]. BenchChem, [2026]. [Online PDF]. Available at: [<https://www.benchchem.com/product/b12392059/docs#n1-azido-spermine-trihydrochloride-a-technical-guide-for-advancing-polyamine-research>]

Disclaimer & Data Validity:

The information provided in this document is for Research Use Only (RUO) and is strictly not intended for diagnostic or therapeutic procedures. While BenchChem strives to provide accurate protocols, we make no warranties, express or implied, regarding the fitness of this product for every specific experimental setup.

Technical Support: The protocols provided are for reference purposes. Unsure if this reagent suits your experiment?

Need Industrial/Bulk Grade? [Request Custom Synthesis Quote](#)

BenchChem

Our mission is to be the trusted global source of essential and advanced chemicals, empowering scientists and researchers to drive progress in science and industry.

Contact

Address: 3281 E Guasti Rd
Ontario, CA 91761, United States
Phone: (601) 213-4426
Email: info@benchchem.com

[Contact our Ph.D. Support Team for a compatibility check](#)