

Assessing the Prognostic Value of Sigma-2 Radioligand Uptake: A Comparative Guide

Author: BenchChem Technical Support Team. **Date:** April 2026

Compound of Interest

Compound Name: *Sigma-2 Radioligand 1*

Cat. No.: *B12390126*

[Get Quote](#)

For Researchers, Scientists, and Drug Development Professionals

The quest for precise and reliable prognostic biomarkers in oncology is a critical endeavor, guiding therapeutic strategies and improving patient outcomes. The Sigma-2 receptor, now identified as Transmembrane Protein 97 (TMEM97), has emerged as a promising target for cancer imaging and therapy due to its overexpression in proliferating tumor cells. This guide provides a comprehensive comparison of the prognostic value of Sigma-2 radioligand uptake, primarily focusing on [18F]ISO-1, with other established prognostic markers, supported by experimental data and detailed methodologies.

Quantitative Data Summary

The following table summarizes the key quantitative data on the prognostic performance of Sigma-2 radioligand uptake and its comparators.

Prognostic Marker	Cancer Type	N	Parameter	Comparator	Key Findings	Reference
High TMEM97 (Sigma-2 Receptor) mRNA Expression	Liver Cancer	-	Overall Survival	Low TMEM97 Expression	High expression is associated with unfavorable prognosis (p<0.001).	[1]
High TMEM97 (Sigma-2 Receptor) mRNA Expression	Breast Cancer	-	Relapse-Free Survival	Low TMEM97 Expression	High expression is significantly associated with lower relapse-free survival (HR: 1.61, p<0.001).	[2]

[18F]ISO-1 PET Uptake	Breast Cancer	29	SUVmax	Ki-67 Expression	Modest positive correlation between SUVmax and Ki-67 (a proliferatio n marker) ($\rho = 0.46$, P = 0.01). [3][4]	[3][4]
[18F]FDG PET Uptake	Small Cell Lung Cancer	46	SUVmax	Survival	High SUVmax is significantl y associated with poor survival (P=0.0021) .	[5]
[18F]FDG PET Response	Breast Cancer (Neoadjuva nt Setting)	1630	Metabolic Response vs. No Response	Overall Survival (OS) & Disease- Free Survival (DFS)	Metabolic response on interim PET was associated with improved OS (pooled HR: 0.20) and DFS (pooled HR: 0.21). [6]	[6]

HR: Hazard Ratio; SUVmax: Maximum Standardized Uptake Value; ρ : Spearman's rank correlation coefficient.

Experimental Protocols

Prognostic Study of TMEM97 (Sigma-2 Receptor) mRNA Expression in Breast Cancer

This study utilized a public database (Kaplan-Meier plotter) to analyze the prognostic value of TMEM97 gene expression.[2]

- Data Source: Aggregate microarray data from breast cancer patients.
- Patient Cohorts: Patients were divided into "High" and "Low" expression groups based on the upper and lower quartiles of TMEM97 mRNA expression.
- Statistical Analysis: Relapse-free survival (RFS) was analyzed using Kaplan-Meier curves, and the hazard ratio (HR) was calculated. The analysis was performed for all breast cancer types and specifically for estrogen receptor-positive patients.

Clinical Trial of [18F]ISO-1 PET/CT in Breast Cancer

This prospective clinical trial (NCT02284919) aimed to determine the correlation between [18F]ISO-1 uptake and the proliferation marker Ki-67.[3][4]

- Patient Selection: 28 women with 29 primary invasive breast cancers (lesion diameter ≥ 1 cm, no prior treatment).
- Radioligand Administration: Intravenous injection of 278–527 MBq of [18F]ISO-1.
- Imaging Protocol: PET/CT imaging of the breasts was performed 50–55 minutes post-injection.
- Image Analysis: In vivo uptake of [18F]ISO-1 was quantified by the maximum standardized uptake value (SUVmax).
- Correlative Analysis: Tumor SUVmax was compared with ex vivo immunohistochemistry for Ki-67 expression using Spearman correlation.

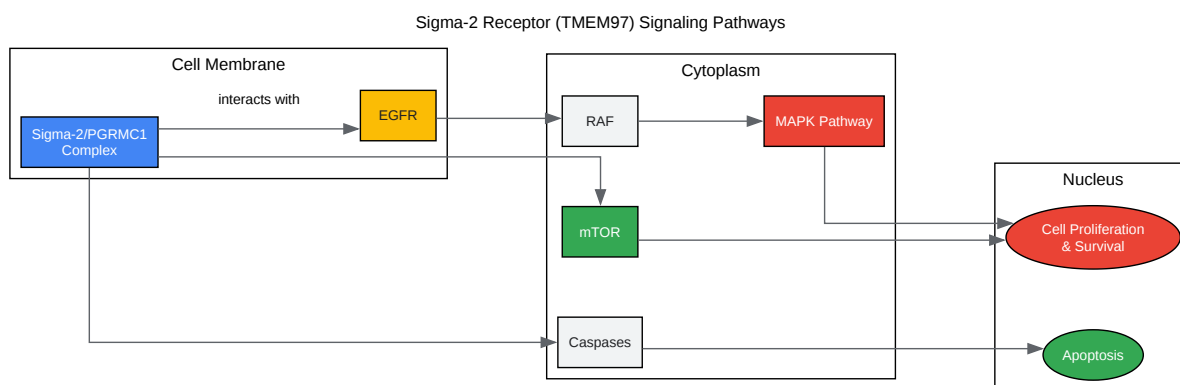
Generic Protocol for a Prospective Prognostic Imaging Study

This protocol outlines a general framework for assessing the prognostic value of a novel imaging agent like a Sigma-2 radioligand.

- **Study Objective:** To determine if the uptake of the imaging agent is an independent predictor of overall survival (OS) and progression-free survival (PFS).
- **Patient Population:** A well-defined cohort of patients with a specific cancer type and stage.
- **Imaging Procedure:**
 - **Baseline Scan:** Performed before the initiation of a new line of therapy.
 - **Radiotracer Injection:** Standardized dose and uptake period.
 - **Image Acquisition:** Standardized PET/CT or PET/MR protocol.
 - **Image Analysis:** Quantitative analysis of tracer uptake (e.g., SUVmax, metabolic tumor volume).
- **Patient Follow-up:** Patients are followed longitudinally according to the standard of care. Data on disease progression (based on RECIST criteria or other appropriate measures) and survival are collected at regular intervals.
- **Statistical Analysis:**
 - **Survival Analysis:** Kaplan-Meier curves will be generated to visualize survival differences between high and low uptake groups (dichotomized at the median or an optimized cut-off).
 - **Cox Proportional Hazards Model:** A multivariate Cox regression analysis will be performed to determine if the imaging biomarker is an independent prognostic factor after adjusting for other known clinical and pathological prognostic variables. Hazard ratios with 95% confidence intervals will be reported.

Signaling Pathways and Experimental Workflows

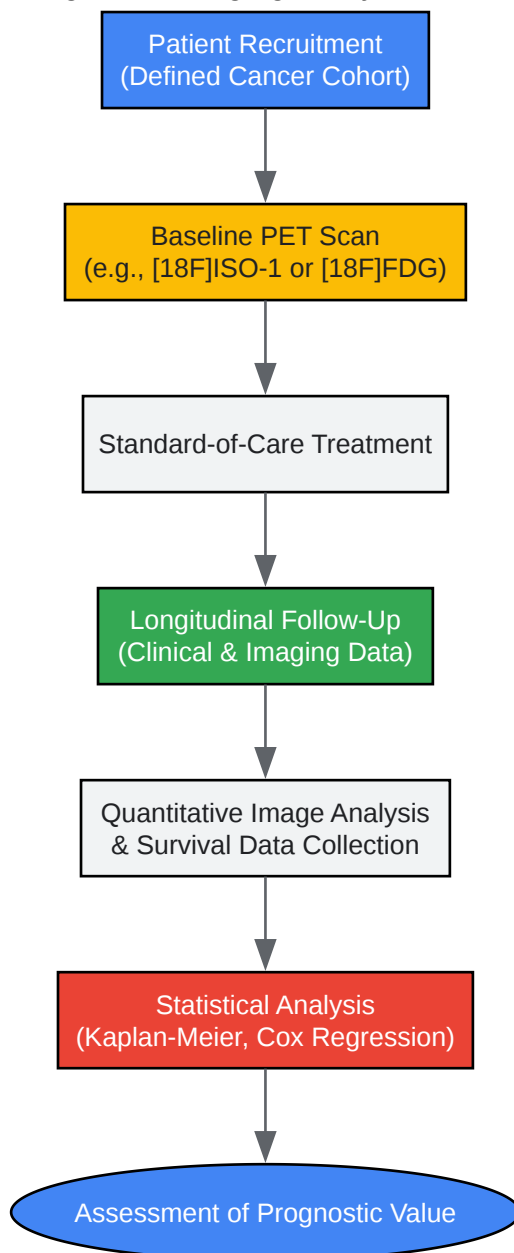
The prognostic value of Sigma-2 receptor uptake is rooted in its biological function. The following diagrams illustrate the key signaling pathways and a typical experimental workflow for assessing a prognostic imaging agent.



[Click to download full resolution via product page](#)

Caption: Sigma-2 receptor signaling in cancer prognosis.

Prognostic Imaging Study Workflow



[Click to download full resolution via product page](#)

Caption: Workflow for a prognostic imaging study.

Discussion and Future Directions

The available evidence strongly suggests that the Sigma-2 receptor (TMEM97) is a valuable biomarker for tumor proliferation and holds significant prognostic potential. High expression of TMEM97 has been linked to poorer survival outcomes in several cancers.[1][2] PET imaging

with the Sigma-2 radioligand [18F]ISO-1 shows a correlation with the established proliferation marker Ki-67, providing an in vivo measure of a tumor's proliferative status.[3][4]

In comparison, [18F]FDG PET, which measures glucose metabolism, is a well-established prognostic tool in many cancers.[5][6] High FDG uptake is often associated with more aggressive tumors and poorer prognosis. While both Sigma-2 radioligand and FDG PET provide prognostic information, they reflect different aspects of tumor biology. Sigma-2 receptor expression is more directly linked to cell proliferation, whereas FDG uptake is a marker of metabolic activity, which can also be elevated in inflammatory conditions. Preclinical studies suggest that sigma-ligands may be more tumor-selective than [18F]FDG by showing lower uptake in inflammatory tissues.

A key area for future research is the head-to-head comparison of the prognostic value of Sigma-2 radioligand PET and FDG PET in the same patient cohorts. Such studies, following a rigorous prognostic trial design, would be instrumental in defining the specific clinical scenarios where Sigma-2 receptor imaging could provide superior or complementary prognostic information to FDG PET. This would involve correlating imaging findings with long-term patient outcomes, such as overall and progression-free survival, and determining the independent prognostic value of each tracer through multivariate analysis.

In conclusion, Sigma-2 radioligand uptake is a promising prognostic biomarker with a strong biological rationale. Further clinical investigation is warranted to fully establish its role in the prognostic stratification of cancer patients and to guide personalized treatment strategies.

Need Custom Synthesis?

BenchChem offers custom synthesis for rare earth carbides and specific isotopic labeling.

Email: info@benchchem.com or [Request Quote Online](#).

References

- 1. jnm.snmjournals.org [jnm.snmjournals.org]
- 2. [Comparison of sigma-ligands and metabolic PET tracers for differentiating tumor from inflammation - PubMed \[pubmed.ncbi.nlm.nih.gov\]](#)

- [3. Longitudinal FDG-PET Radiomics for Early Prediction of Treatment Response to Chemoradiation in Locally Advanced Cervical Cancer: A Pilot Study - PMC \[pmc.ncbi.nlm.nih.gov\]](#)
- [4. Summary of the UPICT Protocol for 18F-FDG PET/CT Imaging in Oncology Clinical Trials - PMC \[pmc.ncbi.nlm.nih.gov\]](#)
- [5. Prognostic value of \[18F\]FDG-PET imaging in small cell lung cancer - PubMed \[pubmed.ncbi.nlm.nih.gov\]](#)
- [6. Prognostic value of 18F-FDG PET and PET/CT for assessment of treatment response to neoadjuvant chemotherapy in breast cancer: a systematic review and meta-analysis - PMC \[pmc.ncbi.nlm.nih.gov\]](#)
- [To cite this document: BenchChem. \[Assessing the Prognostic Value of Sigma-2 Radioligand Uptake: A Comparative Guide\]. BenchChem, \[2026\]. \[Online PDF\]. Available at: \[https://www.benchchem.com/product/b12390126/docs#assessing-the-prognostic-value-of-sigma-2-radioligand-uptake-a-comparative-guide\]](#)

Disclaimer & Data Validity:

The information provided in this document is for Research Use Only (RUO) and is strictly not intended for diagnostic or therapeutic procedures. While BenchChem strives to provide accurate protocols, we make no warranties, express or implied, regarding the fitness of this product for every specific experimental setup.

Technical Support: The protocols provided are for reference purposes. Unsure if this reagent suits your experiment?

Need Industrial/Bulk Grade? [Request Custom Synthesis Quote](#)

BenchChem

Our mission is to be the trusted global source of essential and advanced chemicals, empowering scientists and researchers to drive progress in science and industry.

Contact

Address: 3281 E Guasti Rd
Ontario, CA 91761, United States
Phone: (601) 213-4426
Email: info@benchchem.com

Contact our Ph.D. Support Team for a compatibility check