

Application Note & Protocol: Analytical Methods for XY-52 Quantification

Author: BenchChem Technical Support Team. **Date:** April 2026

Compound of Interest

Compound Name: XY-52
Cat. No.: B12386988

[Get Quote](#)

AN-5201 | For Research Use Only

Abstract

This document provides detailed protocols for the quantification of **XY-52**, a novel small molecule drug candidate, in various biological matrices. The methods described herein are essential for researchers, scientists, and drug development professionals engaged in pharmacokinetic (PK), pharmacodynamic (PD), and toxicokinetic (TK) studies. Three robust analytical methods are presented: High-Performance Liquid Chromatography with UV detection (HPLC-UV), Liquid Chromatography with Tandem Mass Spectrometry (LC-MS/MS), and a competitive Enzyme-Linked Immunosorbent Assay (ELISA). Each section includes a summary of the methodology, detailed experimental protocols, and representative data presented in tabular format for clear comparison. Furthermore, this note provides visual workflows and diagrams generated using Graphviz to aid in the understanding of the experimental processes.

Introduction

XY-52 is a synthetic small molecule compound under investigation for its therapeutic potential. Accurate and precise quantification of **XY-52** in biological samples such as plasma, serum, and tissue homogenates is critical for evaluating its absorption, distribution, metabolism, and

excretion (ADME) profile.[1] The selection of an appropriate analytical method depends on several factors, including the required sensitivity, selectivity, sample matrix, and throughput. This application note details three validated methods for **XY-52** quantification to support preclinical and clinical development programs.

High-Performance Liquid Chromatography with UV Detection (HPLC-UV)

HPLC-UV is a widely used technique for the quantification of small molecules in pharmaceutical analysis.[2][3] It offers a balance of performance, reliability, and cost-effectiveness, making it suitable for routine analysis and formulations where high sensitivity is not the primary requirement. The method described here utilizes reversed-phase chromatography to separate **XY-52** from endogenous matrix components, followed by quantification using a UV detector at the molecule's maximum absorbance wavelength (λ_{max}).

Experimental Protocol: HPLC-UV Quantification of XY-52 in Plasma

2.1.1. Materials and Reagents

- **XY-52** Reference Standard ($\geq 99.5\%$ purity)
- Internal Standard (IS), e.g., a structurally similar compound
- HPLC-grade acetonitrile (ACN) and methanol (MeOH)
- Formic acid (FA), analytical grade
- Ultrapure water (18.2 M Ω ·cm)
- Human plasma (K2EDTA)
- Solid Phase Extraction (SPE) cartridges

2.1.2. Instrumentation

- HPLC system with a quaternary pump, autosampler, column oven, and UV-Vis detector.

- C18 analytical column (e.g., 4.6 x 150 mm, 5 µm particle size).

2.1.3. Sample Preparation: Solid Phase Extraction (SPE)

- Condition the SPE cartridge with 1 mL of methanol followed by 1 mL of ultrapure water.
- To 200 µL of plasma sample, add 20 µL of Internal Standard working solution (10 µg/mL).
- Vortex for 10 seconds.
- Load the entire sample onto the conditioned SPE cartridge.
- Wash the cartridge with 1 mL of 5% methanol in water.
- Elute **XY-52** and the IS with 1 mL of acetonitrile.
- Evaporate the eluate to dryness under a gentle stream of nitrogen at 40°C.
- Reconstitute the residue in 100 µL of mobile phase.
- Vortex and transfer to an HPLC vial for analysis.

2.1.4. Chromatographic Conditions

- Mobile Phase: 60:40 (v/v) Acetonitrile:Water with 0.1% Formic Acid
- Flow Rate: 1.0 mL/min
- Column Temperature: 35°C
- Injection Volume: 10 µL
- UV Detection Wavelength: 280 nm (hypothetical λ_{\max} for **XY-52**)
- Run Time: 10 minutes

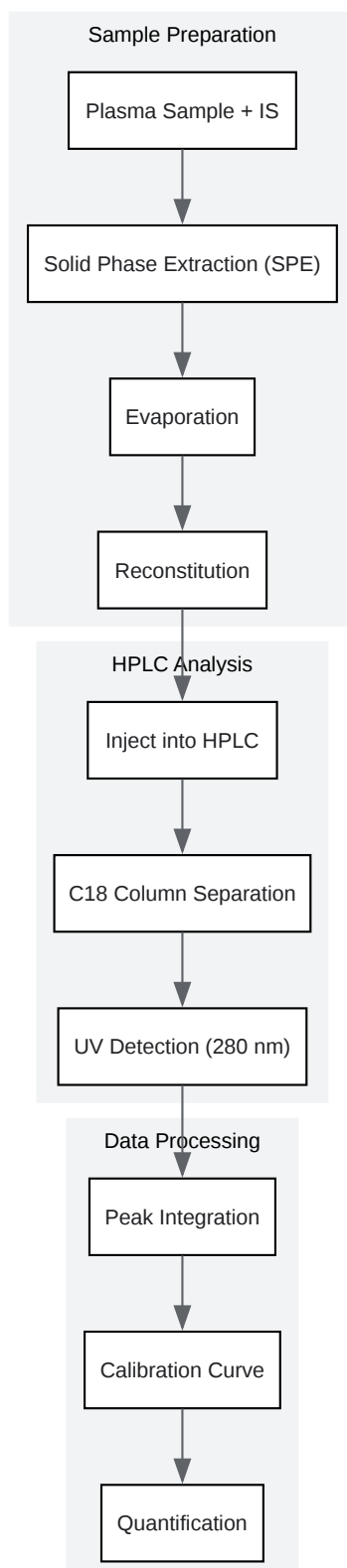
2.1.5. Calibration Curve Preparation Prepare a series of calibration standards by spiking known concentrations of **XY-52** reference standard into blank plasma. Process these standards alongside the unknown samples as described in the sample preparation section.

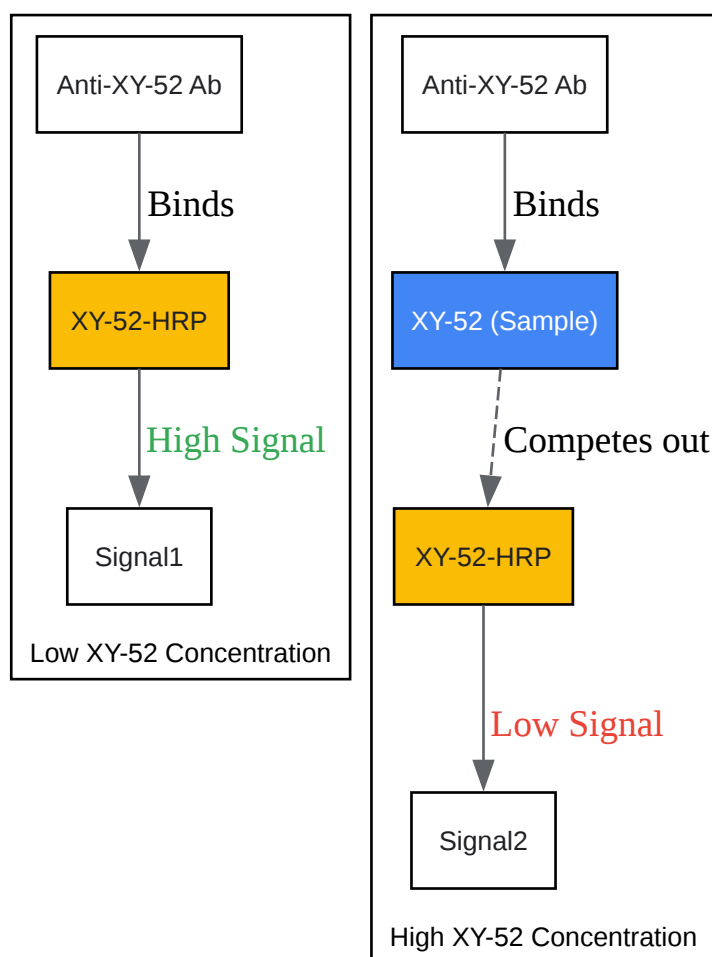
Data Presentation

Table 1: HPLC-UV Method Validation Parameters for **XY-52** in Human Plasma

Parameter	Result	Acceptance Criteria
Linearity (r^2)	0.9985	≥ 0.995
Range	50 - 5000 ng/mL	-
Lower Limit of Quantification (LLOQ)	50 ng/mL	Signal-to-Noise Ratio ≥ 10
Accuracy (% Recovery)	95.8% - 103.2%	85% - 115% (90% - 110% for LLOQ)
Precision (%RSD)	Intra-day: $\leq 6.5\%$ Inter-day: $\leq 8.1\%$	$\leq 15\%$ ($\leq 20\%$ for LLOQ)
Selectivity	No interference at the retention times of XY-52 and IS	No significant interfering peaks

Workflow Diagram





[Click to download full resolution via product page](#)

Need Custom Synthesis?

BenchChem offers custom synthesis for rare earth carbides and specific isotopic labeling.

Email: info@benchchem.com or [Request Quote Online](#).

References

- [1. chromatographyonline.com \[chromatographyonline.com\]](https://www.chromatographyonline.com)
- [2. An Overview on HPLC Method Development, Optimization and Validation process for drug analysis - The Pharmaceutical and Chemical Journal \[tpcj.org\]](#)
- [3. Overview of RP-HPLC method development for drug estimation. \[wisdomlib.org\]](#)
- To cite this document: BenchChem. [Application Note & Protocol: Analytical Methods for XY-52 Quantification]. BenchChem, [2026]. [Online PDF]. Available at: [\[https://www.benchchem.com/product/b12386988/docs#application-note-protocol-analytical-methods-for-xy-52-quantification\]](https://www.benchchem.com/product/b12386988/docs#application-note-protocol-analytical-methods-for-xy-52-quantification)

Disclaimer & Data Validity:

The information provided in this document is for Research Use Only (RUO) and is strictly not intended for diagnostic or therapeutic procedures. While BenchChem strives to provide accurate protocols, we make no warranties, express or implied, regarding the fitness of this product for every specific experimental setup.

Technical Support: The protocols provided are for reference purposes. Unsure if this reagent suits your experiment?

Need Industrial/Bulk Grade? [Request Custom Synthesis Quote](#)

BenchChem

Our mission is to be the trusted global source of essential and advanced chemicals, empowering scientists and researchers to drive progress in science and industry.

Contact

Address: 3281 E Guasti Rd
Ontario, CA 91761, United States
Phone: (601) 213-4426
Email: info@benchchem.com

[Contact our Ph.D. Support Team for a compatibility check](#)

