

# Technical Support Center: Optimizing Compound Concentration to Avoid Cytotoxicity

**Author:** BenchChem Technical Support Team. **Date:** April 2026

## Compound of Interest

Compound Name: LH1307

Cat. No.: B608558

[Get Quote](#)

This technical support center provides guidance for researchers, scientists, and drug development professionals on how to determine the optimal concentration of a novel compound, referred to here as **LH1307**, to elicit a desired biological effect while minimizing cytotoxicity. The following troubleshooting guides and frequently asked questions (FAQs) address common issues encountered during in vitro experiments.

## Frequently Asked Questions (FAQs)

Q1: What is the first step to determine the working concentration of **LH1307**?

A1: The initial step is to perform a dose-response experiment to determine the concentration range of **LH1307** that affects cell viability. A broad range of concentrations should be tested to identify the half-maximal inhibitory concentration (IC50) or the half-maximal effective concentration (EC50). This will establish a baseline for subsequent optimization experiments.

Q2: How can I distinguish between cytotoxic and cytostatic effects of **LH1307**?

A2: Cytotoxicity refers to the ability of a compound to kill cells, while a cytostatic effect inhibits cell proliferation without causing cell death.<sup>[1]</sup> To differentiate between these effects, you can perform a cell counting assay (e.g., using a hemocytometer with trypan blue exclusion) or a

proliferation assay (e.g., CFSE or BrdU incorporation) in parallel with a viability assay (e.g., MTT or resazurin). A cytotoxic compound will reduce the number of viable cells, whereas a cytostatic compound will prevent an increase in cell number over time compared to an untreated control.

Q3: What are the common assays to measure cytotoxicity?

A3: Several assays are available to measure different aspects of cytotoxicity. Commonly used methods include:

- Membrane integrity assays: Lactate dehydrogenase (LDH) release assays measure the leakage of this enzyme from damaged cells.[\[1\]](#)
- Metabolic activity assays: MTT, WST-1, and resazurin-based assays measure the metabolic activity of viable cells.
- Apoptosis assays: Annexin V/Propidium Iodide (PI) staining can differentiate between apoptotic and necrotic cells. Caspase activity assays measure the activation of enzymes central to the apoptotic process.

Q4: My results show high cytotoxicity at a concentration where the desired effect of **LH1307** is observed. What should I do?

A4: If the therapeutic window is narrow, consider the following:

- Time-course experiment: Reducing the exposure time of the cells to **LH1307** might achieve the desired effect while minimizing cytotoxicity.
- Combination therapy: Investigate if a lower, non-toxic concentration of **LH1307** can be used in combination with another compound to achieve a synergistic effect.
- Analog development: If feasible, explore structurally related compounds that may have a better therapeutic index.

Q5: How can I investigate the mechanism of **LH1307**-induced cytotoxicity?

A5: To understand how **LH1307** induces cell death, you can investigate key signaling pathways. For example, to determine if it induces apoptosis, you can measure the activation of caspases (e.g., caspase-3, -8, -9) and the expression of pro- and anti-apoptotic proteins of the Bcl-2 family. If necrosis is suspected, markers like HMGB1 release can be assessed. Investigating the generation of reactive oxygen species (ROS) can also provide insight into oxidative stress-related cytotoxicity.

## Troubleshooting Guide

Problem	Possible Cause	Suggested Solution
High variability between replicate wells in cytotoxicity assays.	Inconsistent cell seeding, pipetting errors, or edge effects in the microplate.	Ensure a homogenous single-cell suspension before seeding. Use a multichannel pipette for consistency. Avoid using the outer wells of the plate or fill them with sterile PBS to maintain humidity.
Unexpectedly high cell death in control (vehicle-treated) wells.	Vehicle (e.g., DMSO) concentration is too high. Contamination of cell culture.	Ensure the final concentration of the vehicle is non-toxic to the cells (typically $\leq 0.1\%$ for DMSO). Regularly check cell cultures for contamination.
No cytotoxic effect is observed even at high concentrations of LH1307.	LH1307 may have low potency or is unstable in the culture medium. The chosen cell line may be resistant.	Confirm the stability and solubility of LH1307 in your experimental conditions. Test a wider range of concentrations. Consider using a different, more sensitive cell line.
Discrepancy between results from different cytotoxicity assays (e.g., MTT vs. LDH).	The assays measure different cellular parameters. MTT measures metabolic activity, which can be affected by factors other than cell death, while LDH measures membrane integrity.	Use multiple, mechanistically different cytotoxicity assays to get a comprehensive view of the compound's effect. For example, combine a metabolic assay with a membrane integrity assay and an apoptosis assay. <sup>[1][2]</sup>

## Experimental Protocols

### Protocol 1: MTT Assay for Cell Viability

This protocol provides a method for assessing cell viability by measuring the metabolic activity of cells.

- **Cell Seeding:** Seed cells in a 96-well plate at a predetermined optimal density and allow them to adhere overnight.
- **Compound Treatment:** Prepare serial dilutions of **LH1307** in culture medium. Remove the old medium from the cells and add the compound dilutions. Include vehicle-only controls.
- **Incubation:** Incubate the plate for the desired exposure time (e.g., 24, 48, or 72 hours) at 37°C and 5% CO<sub>2</sub>.
- **MTT Addition:** Add MTT reagent to each well and incubate for 2-4 hours, allowing viable cells to reduce the yellow MTT to purple formazan crystals.
- **Solubilization:** Add a solubilization solution (e.g., DMSO or a specialized detergent-based solution) to each well to dissolve the formazan crystals.
- **Absorbance Measurement:** Read the absorbance at a wavelength of 570 nm using a microplate reader.
- **Data Analysis:** Calculate cell viability as a percentage relative to the vehicle-treated control cells.

## Protocol 2: LDH Release Assay for Cytotoxicity

This protocol measures cytotoxicity by quantifying the amount of lactate dehydrogenase (LDH) released from damaged cells into the culture medium.

- **Cell Seeding and Treatment:** Follow steps 1-3 of the MTT assay protocol.
- **Collection of Supernatant:** After incubation, carefully collect a portion of the cell culture supernatant from each well.
- **LDH Reaction:** Add the supernatant to a new 96-well plate containing the LDH reaction mixture according to the manufacturer's instructions.
- **Incubation:** Incubate the plate at room temperature for the recommended time, protected from light.

- Absorbance Measurement: Measure the absorbance at the recommended wavelength (e.g., 490 nm).
- Data Analysis: Determine the percentage of cytotoxicity by comparing the LDH activity in the treated wells to that of a maximum LDH release control (cells lysed with a detergent).

## Quantitative Data Summary

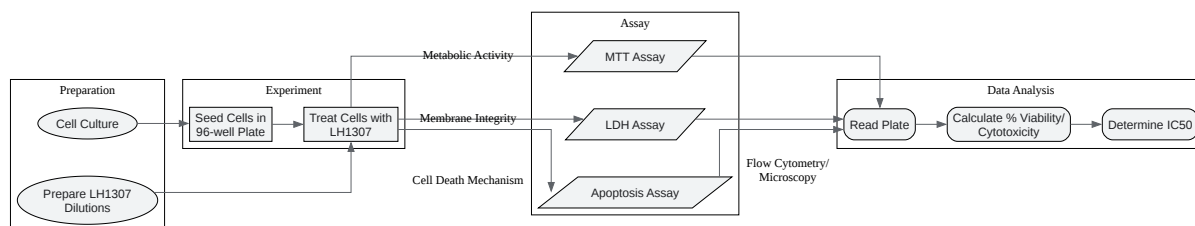
Table 1: Cytotoxicity of **LH1307** in Different Cell Lines (48h exposure)

Cell Line	LH1307 IC50 ( $\mu\text{M}$ )	Assay
MCF-7	15.2	MTT
Huh-7	28.5	MTT
A549	9.8	WST-1

Table 2: Time-Dependent Cytotoxicity of **LH1307** in A549 Cells

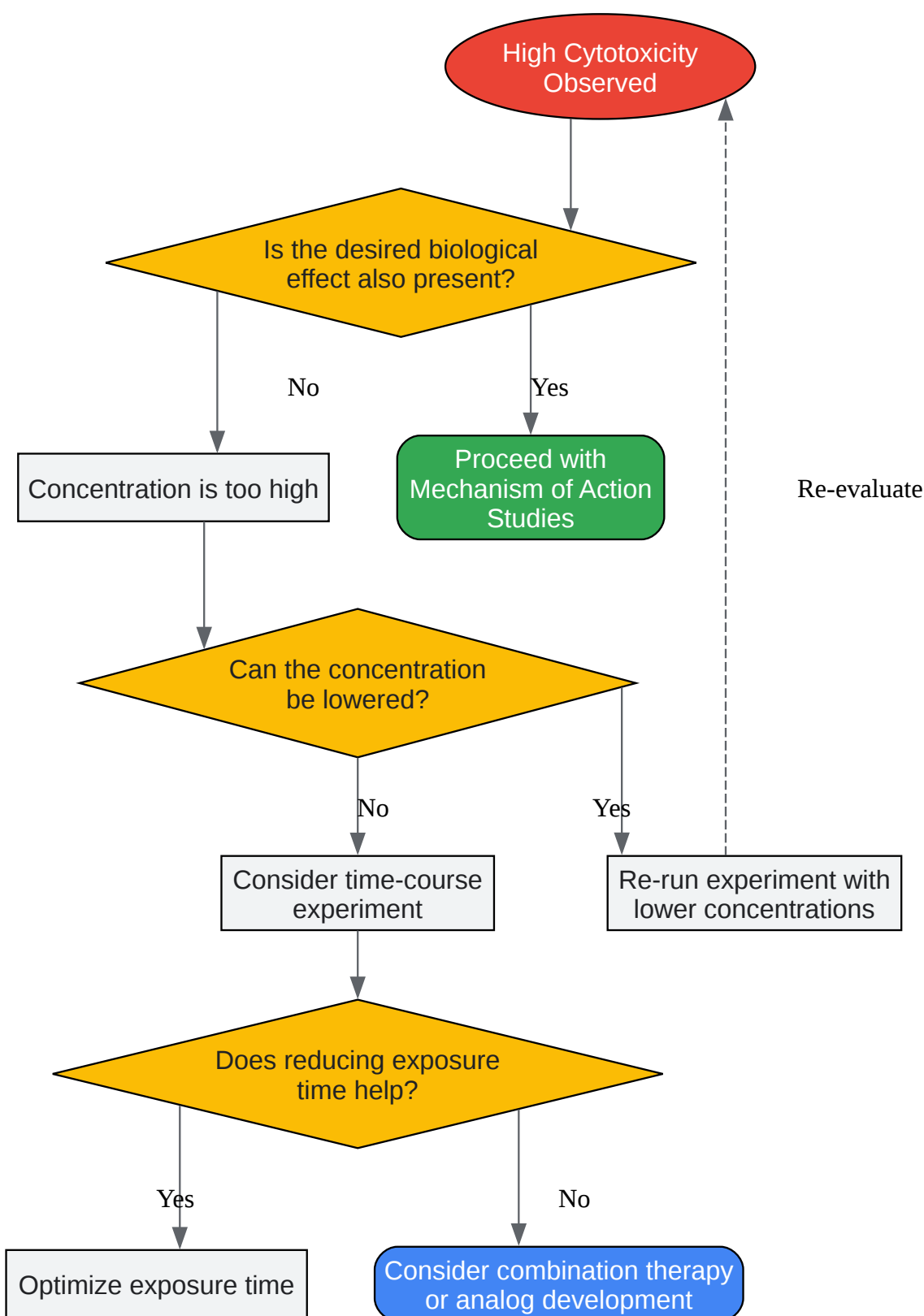
Exposure Time (h)	IC50 ( $\mu\text{M}$ )	Assay
24	25.6	MTT
48	9.8	MTT
72	4.1	MTT

## Visualizations



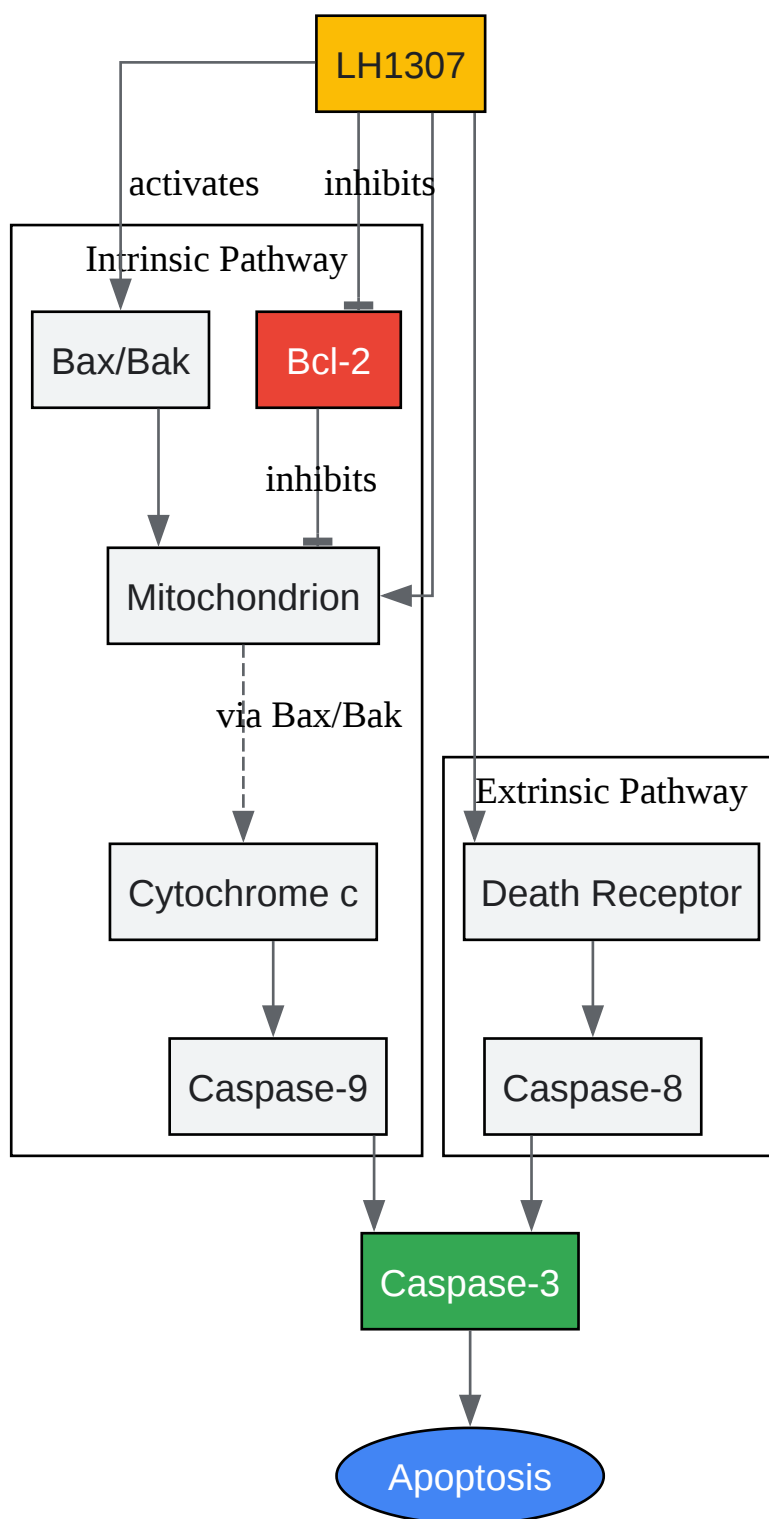
[Click to download full resolution via product page](#)

Caption: Experimental workflow for assessing the cytotoxicity of **LH1307**.



[Click to download full resolution via product page](#)

Caption: Troubleshooting logic for unexpectedly high cytotoxicity.



[Click to download full resolution via product page](#)

Caption: Simplified signaling pathway for **LH1307**-induced apoptosis.

### Need Custom Synthesis?

BenchChem offers custom synthesis for rare earth carbides and specific isotopic labeling.

Email: [info@benchchem.com](mailto:info@benchchem.com) or [Request Quote Online](#).

## References

- [1. Cytotoxicity Assays | Thermo Fisher Scientific - HK \[thermofisher.com\]](#)
- [2. spa-sandbox-mithila.miltenyibiotecdev.com \[spa-sandbox-mithila.miltenyibiotecdev.com\]](#)
- To cite this document: BenchChem. [Technical Support Center: Optimizing Compound Concentration to Avoid Cytotoxicity]. BenchChem, [2026]. [Online PDF]. Available at: [<https://www.benchchem.com/product/b608558/docs#technical-support-center-optimizing-compound-concentration-to-avoid-cytotoxicity>]

### Disclaimer & Data Validity:

The information provided in this document is for Research Use Only (RUO) and is strictly not intended for diagnostic or therapeutic procedures. While BenchChem strives to provide accurate protocols, we make no warranties, express or implied, regarding the fitness of this product for every specific experimental setup.

**Technical Support:** The protocols provided are for reference purposes. Unsure if this reagent suits your experiment?

**Need Industrial/Bulk Grade?** [Request Custom Synthesis Quote](#)

## BenchChem

Our mission is to be the trusted global source of essential and advanced chemicals, empowering scientists and researchers to drive progress in science and industry.

### Contact

Address: 3281 E Guasti Rd

Ontario, CA 91761, United States

Phone: (601) 213-4426

Email: [info@benchchem.com](mailto:info@benchchem.com)

Contact our Ph.D. Support Team for a compatibility check