

Application Notes and Protocols for the Synthesis of MN551-Based PROTACs

Author: BenchChem Technical Support Team. **Date:** April 2026

Compound of Interest

Compound Name: MN551
Cat. No.: B12384881

[Get Quote](#)

For Researchers, Scientists, and Drug Development Professionals

Introduction

Proteolysis-targeting chimeras (PROTACs) are a revolutionary class of therapeutic agents that co-opt the cell's natural protein degradation machinery to eliminate disease-causing proteins. A PROTAC molecule consists of three key components: a ligand that binds to a protein of interest (POI), a ligand for an E3 ubiquitin ligase, and a chemical linker that connects the two. This heterobifunctional molecule facilitates the formation of a ternary complex between the POI and the E3 ligase, leading to the ubiquitination and subsequent degradation of the POI by the proteasome.

This document provides detailed application notes and protocols for the synthesis of PROTACs utilizing **MN551**, a covalent ligand for the E3 ligase Suppressor of Cytokine Signaling 2 (SOCS2).[1] SOCS2 is a component of the Cullin-RING E3 ligase (CRL) family and represents a compelling target for PROTAC development. The covalent nature of **MN551**'s interaction with Cysteine 111 of SOCS2 offers the potential for potent and durable PROTAC activity.

Overview of MN551-Based PROTAC Synthesis

The synthesis of an **MN551**-based PROTAC is a modular process that involves three main stages:

- Synthesis of a Linker-Functionalized Protein of Interest (POI) Ligand: A suitable linker with a reactive handle is attached to the POI ligand. The choice of linker and attachment point is critical for optimal ternary complex formation and degradation activity.
- Synthesis of **MN551** with a Complementary Reactive Handle: The **MN551** molecule is synthesized or modified to incorporate a functional group that can react with the linker on the POI ligand.
- Conjugation of the Linker-POI Ligand and Functionalized **MN551**: The two components are coupled together to form the final PROTAC molecule.

Commonly employed linkers in PROTAC design include polyethylene glycol (PEG) chains and alkyl chains of varying lengths, which offer flexibility and can influence the physicochemical properties of the final molecule. The choice of conjugation chemistry is also crucial, with amide bond formation and "click chemistry" being widely used due to their efficiency and reliability.

Data Presentation

The following tables summarize key quantitative data for a representative hypothetical **MN551**-based PROTAC targeting a model protein kinase.

Parameter	Value	Method
Binding Affinity (MN551 to SOCS2)		
K _i	2.2 μM	Isothermal Titration Calorimetry (ITC)
PROTAC Performance		
DC ₅₀ (Degradation Concentration 50%)	50 nM	Western Blot / HiBiT Assay
D _{max} (Maximum Degradation)	>95%	Western Blot / HiBiT Assay
Cellular Target Engagement		
EC ₅₀ (Cellular Target Engagement)	2.52 ± 0.42 μM	Cellular Thermal Shift Assay (CETSA)

Table 1: Quantitative Characterization of a Hypothetical **MN551**-Based PROTAC

Property	Value	Method
Chemical Purity	>98%	High-Performance Liquid Chromatography (HPLC)
Identity Confirmation	Confirmed	High-Resolution Mass Spectrometry (HRMS) & ¹ H NMR
Solubility	>50 μM	Aqueous Buffer (pH 7.4)

Table 2: Physicochemical Properties of a Hypothetical **MN551**-Based PROTAC

Experimental Protocols

Protocol 1: Synthesis of a Linker-Functionalized POI Ligand (Amide Coupling)

This protocol describes the synthesis of a POI ligand functionalized with a PEG linker terminating in a carboxylic acid, ready for coupling to an amine-functionalized **MN551**.

Materials:

- POI ligand with a suitable amine attachment point
- Fmoc-N-amido-dPEG@x-acid (x = number of PEG units)
- N,N'-Diisopropylethylamine (DIPEA)
- (Benzotriazol-1-yl-oxytripyrrolidinophosphonium hexafluorophosphate) (PyBOP)
- Dimethylformamide (DMF)
- Piperidine
- Dichloromethane (DCM)
- Trifluoroacetic acid (TFA)

Procedure:

- Step 1: Coupling of Linker to POI Ligand
 1. Dissolve the POI ligand (1 eq) in DMF.
 2. Add Fmoc-N-amido-dPEG@x-acid (1.2 eq), DIPEA (3 eq), and PyBOP (1.2 eq).
 3. Stir the reaction mixture at room temperature for 4-6 hours, monitoring by LC-MS.
 4. Upon completion, dilute the reaction with ethyl acetate and wash with saturated sodium bicarbonate solution and brine.
 5. Dry the organic layer over sodium sulfate, filter, and concentrate under reduced pressure.
 6. Purify the crude product by flash column chromatography.
- Step 2: Fmoc Deprotection

1. Dissolve the Fmoc-protected POI-linker conjugate in a 20% solution of piperidine in DMF.
2. Stir at room temperature for 30 minutes.
3. Concentrate the reaction mixture under reduced pressure.
4. Co-evaporate with toluene to remove residual piperidine.
5. The resulting amine-functionalized POI-linker is used in the next step without further purification.

Protocol 2: Synthesis of Amine-Functionalized MN551

This protocol outlines a potential method for synthesizing an amine-functionalized derivative of **MN551**.

Materials:

- Precursors for **MN551** synthesis (as described in the literature)
- Boc-protected amino-PEG linker with a terminal carboxylic acid
- HATU (1-[Bis(dimethylamino)methylene]-1H-1,2,3-triazolo[4,5-b]pyridinium 3-oxid hexafluorophosphate)
- DIPEA
- DMF
- TFA/DCM

Procedure:

- Step 1: Coupling of Boc-protected linker to an **MN551** precursor
 - During the synthesis of **MN551**, a suitable carboxylic acid-containing precursor is coupled with a Boc-protected amine-terminated linker using standard peptide coupling reagents like HATU and DIPEA in DMF.

- Step 2: Final steps of **MN551** synthesis
 - Complete the remaining synthetic steps to form the chloroacetamide warhead of **MN551**.
- Step 3: Boc Deprotection
 - Treat the Boc-protected **MN551**-linker conjugate with a solution of TFA in DCM (e.g., 20% TFA/DCM) for 1-2 hours at room temperature.
 - Concentrate the reaction mixture under reduced pressure to yield the amine-functionalized **MN551**.

Protocol 3: Final PROTAC Synthesis (Amide Coupling)

This protocol describes the final coupling of the linker-functionalized POI ligand and the amine-functionalized **MN551**.

Materials:

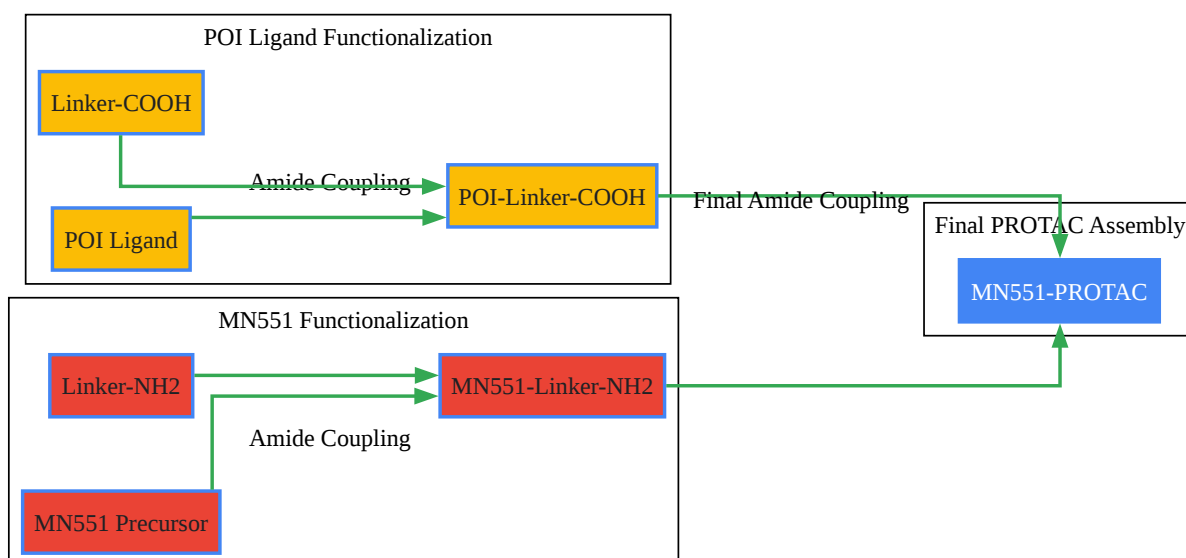
- Carboxylic acid-functionalized POI-linker (from Protocol 1)
- Amine-functionalized **MN551** (from Protocol 2)
- HATU
- DIPEA
- DMF
- Preparative HPLC system

Procedure:

- Dissolve the carboxylic acid-functionalized POI-linker (1 eq) in DMF.
- Add HATU (1.2 eq) and DIPEA (3 eq) and stir for 10 minutes.
- Add the amine-functionalized **MN551** (1.1 eq) to the reaction mixture.

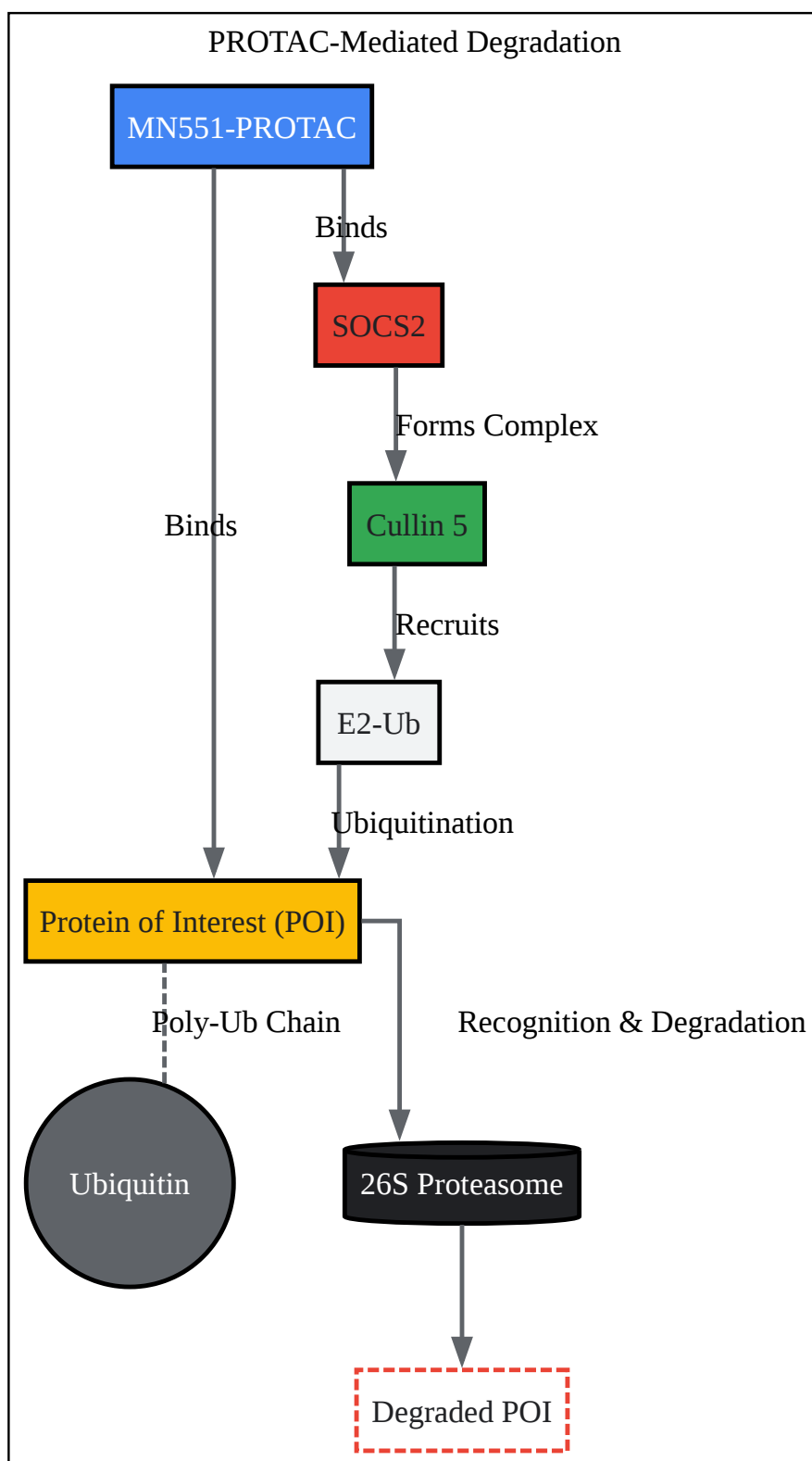
- Stir at room temperature for 4-12 hours, monitoring by LC-MS.
- Upon completion, dilute the reaction mixture with DMSO and purify by preparative HPLC to obtain the final **MN551**-based PROTAC.
- Characterize the final product by HRMS and ^1H NMR.

Mandatory Visualizations



[Click to download full resolution via product page](#)

Caption: Workflow for the synthesis of an **MN551**-based PROTAC.



[Click to download full resolution via product page](#)

Caption: Signaling pathway of **MN551**-based PROTAC-mediated protein degradation.

Need Custom Synthesis?

BenchChem offers custom synthesis for rare earth carbides and specific isotopic labeling.

Email: info@benchchem.com or [Request Quote Online](#).

References

- [1. biorxiv.org \[biorxiv.org\]](https://doi.org/10.1101/2026.01.12.202601)
- To cite this document: BenchChem. [Application Notes and Protocols for the Synthesis of MN551-Based PROTACs]. BenchChem, [2026]. [Online PDF]. Available at: [\[https://www.benchchem.com/product/b12384881/docs#application-notes-and-protocols-for-the-synthesis-of-mn551-based-protacs\]](https://www.benchchem.com/product/b12384881/docs#application-notes-and-protocols-for-the-synthesis-of-mn551-based-protacs)

Disclaimer & Data Validity:

The information provided in this document is for Research Use Only (RUO) and is strictly not intended for diagnostic or therapeutic procedures. While BenchChem strives to provide accurate protocols, we make no warranties, express or implied, regarding the fitness of this product for every specific experimental setup.

Technical Support: The protocols provided are for reference purposes. Unsure if this reagent suits your experiment?

Need Industrial/Bulk Grade? [Request Custom Synthesis Quote](#)

BenchChem

Our mission is to be the trusted global source of essential and advanced chemicals, empowering scientists and researchers to drive progress in science and industry.

Contact

Address: 3281 E Guasti Rd

Ontario, CA 91761, United States

Phone: (601) 213-4426

Email: info@benchchem.com

Contact our Ph.D. Support Team for a compatibility check