

A Researcher's Guide to Alternative Methods for Measuring BACE1 Activity

Author: BenchChem Technical Support Team. **Date:** April 2026

Compound of Interest

Compound Name: *Mca-SEVKMDAEFRK(Dnp)RR-NH₂*
Cat. No.: *B12382480*

[Get Quote](#)

For researchers, scientists, and drug development professionals, the accurate measurement of Beta-secretase 1 (BACE1) activity is paramount in the quest for effective Alzheimer's disease therapeutics. This guide provides a comprehensive comparison of alternative methods to the traditional radioactive assays, offering insights into their principles, performance, and protocols to aid in the selection of the most suitable platform for your research needs.

This guide delves into the intricacies of various BACE1 activity assays, presenting a comparative analysis of key performance metrics. Detailed experimental protocols for prominent assays are provided, alongside visual workflows to elucidate the underlying principles of each method.

Comparative Analysis of BACE1 Activity Assays

The selection of an appropriate assay for measuring BACE1 activity is contingent on specific experimental requirements, such as throughput, sensitivity, and the biological context of the investigation. The following table summarizes the quantitative performance of several widely used alternative methods.

Assay Type	Principle	Typical Throughput	Sensitivity (IC50)	Z'-factor	Advantages	Disadvantages
FRET-based Assay	Cleavage of a peptide substrate separating a quencher and fluorophore.	High	Nanomolar range[1]	>0.6[2]	Homogeneous, real-time kinetics, widely available kits.	Potential for compound interference (fluorescence quenching/autofluorescence).
Time-Resolved FRET (TR-FRET)	FRET using long-lifetime lanthanide donors to reduce background fluorescence.	High	Sub-nanomolar to nanomolar range[3]	>0.7[4]	Reduced compound interference, high sensitivity, ratiometric measurement.	Requires specific plate readers, potentially higher cost.
AlphaLISA	Proximity-based assay where cleavage of a substrate separates donor and acceptor beads, disrupting a chemilumin	High	Picomolar to nanomolar range[5]	Not explicitly found	No-wash, homogeneous, high sensitivity, small sample volume.	Potential for interference from singlet oxygen quenchers.

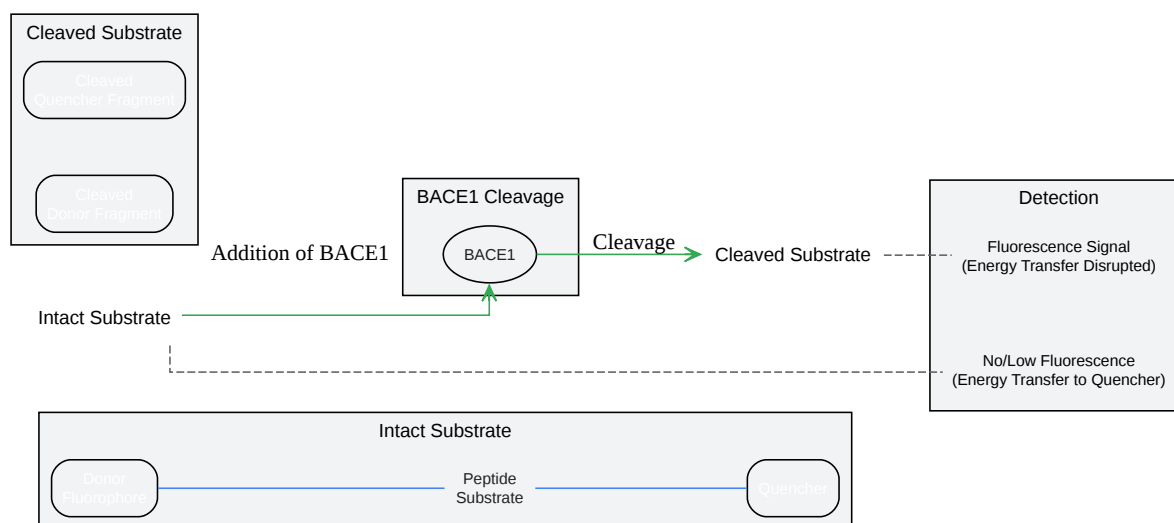
	escent signal.					
Enzyme Fragment Complementation (EFC)	BACE1 cleavage linearizes a peptide-enzyme fragment conjugate, allowing it to complement another enzyme fragment to form an active enzyme that generates a detectable signal.	High	Nanogram detection of BACE1[6]	Not explicitly found	Homogeneous, signal amplification, high sensitivity.	Indirect measurement of BACE1 activity.
Cell-Based Assays	Measurement of BACE1 activity within a cellular context, often by quantifying the cleavage products of a modified	Medium to High	Micromolar to nanomolar range[7]	Not explicitly found	Physiologically relevant, assesses cell permeability and cytotoxicity.	More complex, higher variability, potential for off-target effects.

	APP substrate.					
Label-Free (e.g., SPR)	Detects binding of BACE1 to immobilize d inhibitors or substrates in real-time without labels.	Low to Medium	Not an activity assay; measures binding kinetics (KD).	Not applicable	Provides detailed kinetic data (kon, koff), can use full-length membrane- bound BACE1.[8]	Lower throughput, requires specialized equipment, indirect measure of inhibition.

Experimental Principles and Workflows

Fluorescence Resonance Energy Transfer (FRET)-Based Assays

FRET-based assays are a popular choice for monitoring BACE1 activity due to their simplicity and suitability for high-throughput screening. The principle relies on the transfer of energy from a donor fluorophore to an acceptor molecule (quencher) when they are in close proximity.



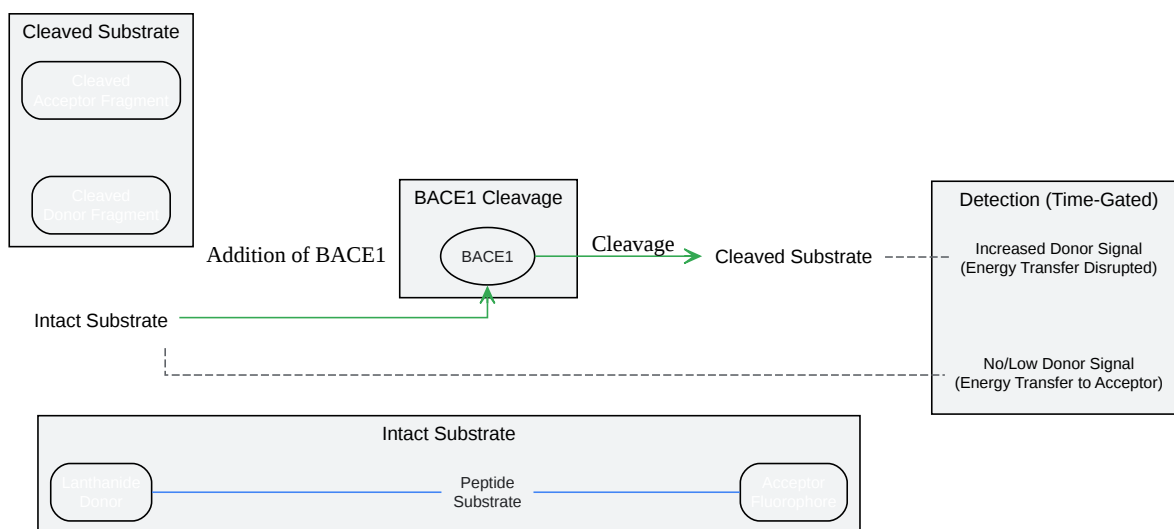
[Click to download full resolution via product page](#)

Caption: Workflow of a FRET-based BACE1 activity assay.

A specific peptide substrate containing the BACE1 cleavage site is flanked by a donor fluorophore and a quencher molecule. In the intact state, the close proximity of the quencher dampens the fluorescence of the donor. Upon cleavage by BACE1, the donor and quencher are separated, leading to an increase in fluorescence that is proportional to the enzyme's activity.^{[2][6]}

Time-Resolved FRET (TR-FRET)

TR-FRET is an advanced iteration of the FRET assay that utilizes a lanthanide chelate as the donor fluorophore. Lanthanides have a long fluorescence lifetime, which allows for a time-gated detection of the signal. This temporal separation of excitation and emission significantly reduces background fluorescence from compounds and plastics, thereby enhancing the assay's sensitivity and robustness.^{[4][8][9]}

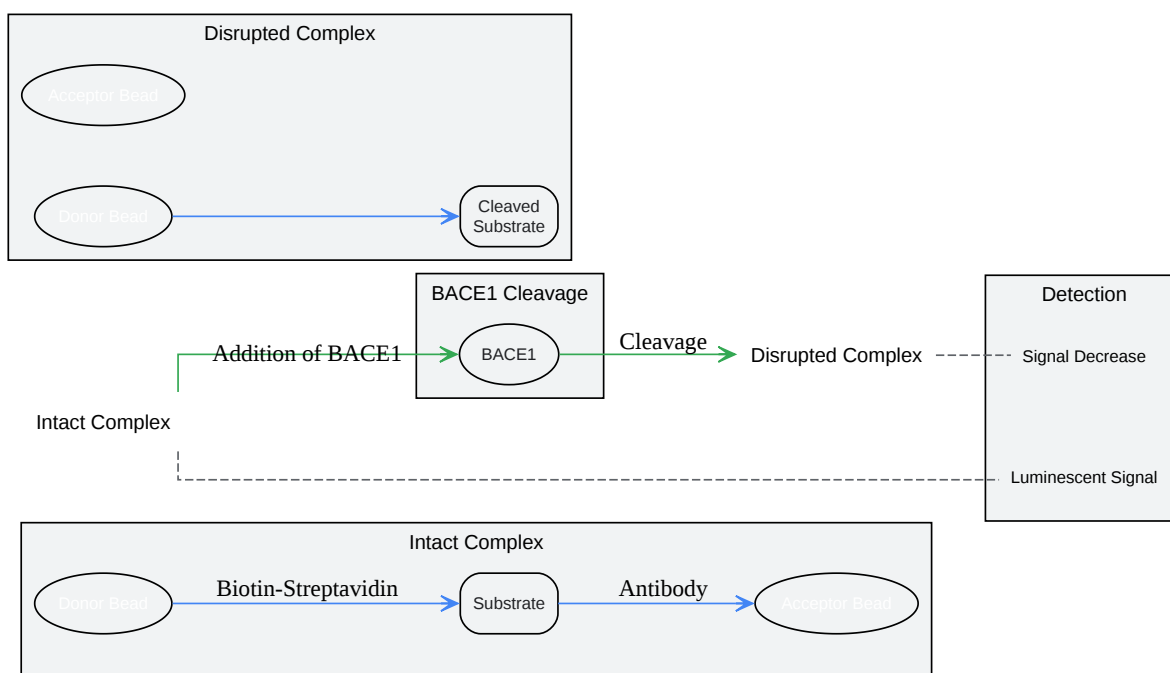


[Click to download full resolution via product page](#)

Caption: Workflow of a TR-FRET-based BACE1 activity assay.

AlphaLISA (Amplified Luminescent Proximity Homogeneous Assay)

AlphaLISA is a bead-based, no-wash immunoassay technology. In the context of BACE1 activity, a biotinylated peptide substrate is captured by streptavidin-coated donor beads. An antibody specific to a terminus of the peptide is conjugated to acceptor beads. When BACE1 cleaves the substrate, the acceptor beads are no longer in proximity to the donor beads, leading to a decrease in the luminescent signal.

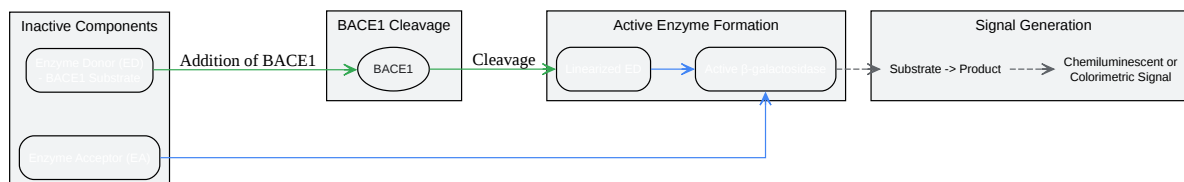


[Click to download full resolution via product page](#)

Caption: Workflow of an AlphaLISA-based BACE1 activity assay.

Enzyme Fragment Complementation (EFC)

The EFC assay is a highly sensitive method that relies on the reconstitution of an active enzyme. A small peptide fragment of β -galactosidase, termed the enzyme donor (ED), is linked to a BACE1 substrate. In its inactive, constrained conformation, the ED cannot complement the larger, inactive enzyme acceptor (EA) fragment of β -galactosidase. BACE1 cleavage of the substrate linearizes the ED, allowing it to bind to the EA and form an active β -galactosidase enzyme. This reconstituted enzyme then hydrolyzes a substrate to produce a chemiluminescent or colorimetric signal.[6][10]



[Click to download full resolution via product page](#)

Caption: Workflow of an EFC-based BACE1 activity assay.

Detailed Experimental Protocols

FRET-Based BACE1 Activity Assay Protocol (General)

This protocol is a generalized procedure based on commercially available kits.[2][11][12]

Materials:

- Recombinant human BACE1 enzyme
- BACE1 FRET substrate (e.g., based on the "Swedish" mutant APP sequence)
- Assay buffer (e.g., 50 mM Sodium Acetate, pH 4.5)
- BACE1 inhibitor (positive control)
- Test compounds
- Black 96-well or 384-well microplate
- Fluorescence microplate reader

Procedure:

- Reagent Preparation:

- Prepare a working solution of BACE1 enzyme in assay buffer. The final concentration should be determined empirically to achieve a linear reaction rate.
- Prepare a working solution of the BACE1 FRET substrate in assay buffer.
- Prepare serial dilutions of the test compounds and the control inhibitor in assay buffer.
- Assay Reaction:
 - To the wells of the microplate, add the test compounds or control inhibitor.
 - Add the BACE1 enzyme solution to each well and incubate for a pre-determined time (e.g., 15 minutes) at room temperature to allow for inhibitor binding.
 - Initiate the reaction by adding the BACE1 FRET substrate solution to all wells.
- Signal Detection:
 - Measure the fluorescence intensity at appropriate excitation and emission wavelengths for the specific FRET pair.
 - Readings can be taken kinetically over time or as an endpoint measurement after a fixed incubation period (e.g., 60 minutes) at 37°C.
- Data Analysis:
 - Calculate the percent inhibition for each compound concentration relative to the uninhibited control.
 - Determine the IC50 values by fitting the data to a dose-response curve.

Cell-Based BACE1 Activity Assay Protocol (General)

This protocol outlines a general approach for measuring BACE1 activity in a cellular environment.[\[13\]](#)[\[14\]](#)

Materials:

- Cell line overexpressing human APP (e.g., HEK293-APP or SH-SY5Y-APP)

- Cell culture medium and supplements
- Test compounds and control BACE1 inhibitor
- Lysis buffer
- ELISA kit for detecting A β peptides (e.g., A β 40 or A β 42) or a reporter gene assay system.

Procedure:

- Cell Culture and Treatment:
 - Plate the APP-overexpressing cells in a multi-well plate and allow them to adhere overnight.
 - Treat the cells with various concentrations of the test compounds or control inhibitor for a specified period (e.g., 24 hours).
- Sample Collection:
 - Collect the conditioned medium from each well.
 - Lyse the cells to obtain cell lysates.
- Detection of BACE1 Activity Products:
 - Quantify the levels of secreted A β peptides (e.g., A β 40, A β 42) in the conditioned medium using a specific ELISA kit.
 - Alternatively, if using a reporter gene system where BACE1 cleavage releases a transcription factor, measure the reporter gene expression (e.g., luciferase activity).
- Data Analysis:
 - Normalize the A β levels or reporter activity to cell viability (e.g., using an MTS or MTT assay).

- Calculate the percent inhibition of A β production or reporter activity for each compound concentration.
- Determine the IC50 values from the dose-response curves.

Concluding Remarks

The landscape of BACE1 activity assays has evolved significantly, offering researchers a diverse toolkit of sensitive and high-throughput methods. While FRET-based assays remain a cornerstone for inhibitor screening, technologies like TR-FRET and AlphaLISA provide enhanced performance by minimizing compound interference. For studies requiring a more physiologically relevant context, cell-based assays are indispensable. The choice of assay should be guided by a thorough consideration of the specific research question, available resources, and desired throughput. This guide serves as a foundational resource to navigate these choices and design robust experiments for the discovery and characterization of novel BACE1 inhibitors. No specific information was found for the application of DELFIA (Dissociation-Enhanced Lanthanide Fluorescent Immunoassay) technology for measuring BACE1 activity.

Need Custom Synthesis?

BenchChem offers custom synthesis for rare earth carbides and specific isotopic labeling.

Email: info@benchchem.com or [Request Quote Online](#).

References

- [1. Crystal Structure of an Active Form of BACE1, an Enzyme Responsible for Amyloid \$\beta\$ Protein Production - PMC \[pmc.ncbi.nlm.nih.gov\]](#)
- [2. assay-of-biomarkers-for-alzheimer-s-disease-by-surface-plasmon-resonance - Ask this paper | Bohrium \[bohrium.com\]](#)
- [3. takara.co.kr \[takara.co.kr\]](#)
- [4. Surface plasmon resonance, fluorescence, and circular dichroism studies for the characterization of the binding of BACE-1 inhibitors - PubMed \[pubmed.ncbi.nlm.nih.gov\]](#)
- [5. Protocol for measuring beta-secretase activity in cell and tissue lysate using a fluorogenic peptide substrate in a 96-well format - PubMed \[pubmed.ncbi.nlm.nih.gov\]](#)

- [6. documents.thermofisher.com \[documents.thermofisher.com\]](https://documents.thermofisher.com)
- [7. BACE1 and BACE2 Enzymatic Activities in Alzheimer's Disease - PMC \[pmc.ncbi.nlm.nih.gov\]](https://pubmed.ncbi.nlm.nih.gov/26111111/)
- [8. A surface plasmon resonance-based biosensor with full-length BACE1 in a reconstituted membrane - PubMed \[pubmed.ncbi.nlm.nih.gov\]](https://pubmed.ncbi.nlm.nih.gov/26111111/)
- [9. pubs.acs.org \[pubs.acs.org\]](https://pubs.acs.org)
- [10. researchgate.net \[researchgate.net\]](https://www.researchgate.net)
- [11. bpsbioscience.com \[bpsbioscience.com\]](https://bpsbioscience.com)
- [12. Protocol for measuring beta-secretase activity in cell and tissue lysate using a fluorogenic peptide substrate in a 96-well format - PMC \[pmc.ncbi.nlm.nih.gov\]](https://pubmed.ncbi.nlm.nih.gov/26111111/)
- [13. pubs.acs.org \[pubs.acs.org\]](https://pubs.acs.org)
- [14. abcam.cn \[abcam.cn\]](https://www.abcam.cn)
- To cite this document: BenchChem. [A Researcher's Guide to Alternative Methods for Measuring BACE1 Activity]. BenchChem, [2026]. [Online PDF]. Available at: [\[https://www.benchchem.com/product/b12382480/docs#a-researcher-s-guide-to-alternative-methods-for-measuring-bace1-activity\]](https://www.benchchem.com/product/b12382480/docs#a-researcher-s-guide-to-alternative-methods-for-measuring-bace1-activity)

Disclaimer & Data Validity:

The information provided in this document is for Research Use Only (RUO) and is strictly not intended for diagnostic or therapeutic procedures. While BenchChem strives to provide accurate protocols, we make no warranties, express or implied, regarding the fitness of this product for every specific experimental setup.

Technical Support: The protocols provided are for reference purposes. Unsure if this reagent suits your experiment?

Need Industrial/Bulk Grade? [Request Custom Synthesis Quote](#)

BenchChem

Our mission is to be the trusted global source of essential and advanced chemicals, empowering scientists and researchers to drive progress in science and industry.

Contact

Address: 3281 E Guasti Rd

Ontario, CA 91761, United States

Phone: (601) 213-4426

Email: info@benchchem.com

[Contact our Ph.D. Support Team for a compatibility check](#)