

Application Notes and Protocols for B.R.L-37344 in Mouse Models

Author: BenchChem Technical Support Team. **Date:** April 2026

Compound of Interest

Compound Name: BRL-37344

CAS No.: 90730-96-4

Cat. No.: B12377262

[Get Quote](#)

For Researchers, Scientists, and Drug Development Professionals

These application notes provide a comprehensive guide to the dosage and administration of the β 3-adrenergic receptor agonist, **BRL-37344**, in mouse models. The information is compiled from various scientific studies to assist in the design and execution of in vivo experiments.

Data Presentation: Quantitative Summary of BRL-37344 Dosage in Mouse Models

The following table summarizes the dosages and administration routes of **BRL-37344** used in various mouse models as reported in the scientific literature. This allows for easy comparison of dosing regimens across different experimental contexts.

Mouse Model	Dosage	Administration Route	Frequency	Key Findings
X-linked Nephrogenic Diabetes Insipidus	1 mg/kg	Intraperitoneal (i.p.)	Single injection	Promoted transient reabsorption of water and solutes.[1][2]
X-linked Nephrogenic Diabetes Insipidus	1 mg/kg	Intraperitoneal (i.p.)	Repeated injections (every 3-4 hours)	Sustained antidiuretic effect, reducing urine output and increasing osmolarity.[1][2]
Myocardial Ischemia/Reperfusion Injury	5 µg/kg	Intraperitoneal (i.p.)	Single dose or daily for 10 days pre-injury	Reduced myocardial necrosis area.[3][4]
Hyperoxia-Induced Colonic Alterations (Neonate)	1 mg/kg and 3 mg/kg	Subcutaneous (s.c.)	Every 12 hours from birth to day 14	3 mg/kg dose prevented hyperoxia-induced alterations; 1 mg/kg was ineffective. A 6 mg/kg dose was found to be toxic.[5][6]
Diet-Induced Obesity	Not specified	Intraperitoneal (i.p.)	Not specified	Lowered body weight.[7]
General Metabolic Studies	1x10 ⁻¹⁰ M (in vitro)	N/A	N/A	Stimulated fuel utilization in isolated soleus muscle.[8]

Experimental Protocols

Protocol 1: Preparation of BRL-37344 for In Vivo Administration

This protocol describes the preparation of **BRL-37344** for intraperitoneal or subcutaneous injection in mice.

Materials:

- **BRL-37344** powder
- Sterile 0.9% NaCl (saline) or distilled water
- Sterile microcentrifuge tubes
- Vortex mixer
- Sterile filters (0.22 μm)
- Sterile syringes and needles

Procedure:

- Stock Solution Preparation:
 - Weigh the desired amount of **BRL-37344** powder in a sterile microcentrifuge tube.
 - Dissolve the powder in sterile distilled water to create a stock solution (e.g., 5 mg/mL).[3]
 - Vortex thoroughly to ensure complete dissolution.
 - The stock solution can be stored at 4°C for the duration of the experiment.[3]
- Working Solution Preparation:
 - On the day of injection, dilute the stock solution with sterile 0.9% NaCl to the final desired concentration.[3] For example, to achieve a 5 $\mu\text{g}/\text{kg}$ dose in a 25g mouse with an injection volume of 0.1 mL, the working solution concentration would need to be 1.25 $\mu\text{g}/\text{mL}$.

- Vortex the working solution to ensure homogeneity.
- It is recommended to warm the substance to room or body temperature before injection to avoid discomfort and a drop in the animal's body temperature.
- Sterilization:
 - Filter the final working solution through a 0.22 μm sterile filter into a new sterile tube or directly into the injection syringe. This is crucial to prevent infection and irritation at the injection site.

Protocol 2: Intraperitoneal (i.p.) Administration of BRL-37344 in Mice

This protocol outlines the standard procedure for intraperitoneal injection in mice.

Materials:

- Prepared sterile **BRL-37344** working solution
- Appropriately sized sterile syringes (e.g., 1 mL) and needles (e.g., 25-27 gauge)
- Animal restraint device (optional)
- 70% ethanol

Procedure:

- Animal Restraint:
 - Gently restrain the mouse. Proper handling is crucial to minimize stress and ensure accurate injection. For a two-person technique, one person can restrain the mouse while the other performs the injection. For a one-person technique, scruff the mouse firmly by the loose skin over the neck and shoulders and secure the tail.
- Injection Site Identification:
 - Position the mouse on its back with its head tilted slightly downwards.

- The injection site is in the lower right or left quadrant of the abdomen, avoiding the midline to prevent injury to the bladder or cecum.
- Injection:
 - Wipe the injection site with 70% ethanol.
 - Insert the needle at a 30-40° angle with the bevel facing up. The depth of insertion should be sufficient for the entire bevel to be within the abdominal cavity.[9]
 - Aspirate gently to ensure no blood or urine is drawn, which would indicate improper needle placement.
 - Slowly inject the **BRL-37344** solution. The maximum recommended injection volume for a mouse is typically less than 10 ml/kg.[9]
- Post-Injection Care:
 - Withdraw the needle and return the mouse to its cage.
 - Monitor the animal for any adverse reactions, such as bleeding at the injection site or signs of distress.

Protocol 3: Subcutaneous (s.c.) Administration of BRL-37344 in Mice

This protocol details the procedure for subcutaneous injection in mice, a common alternative to i.p. injection.

Materials:

- Prepared sterile **BRL-37344** working solution
- Appropriately sized sterile syringes (e.g., 1 mL) and needles (e.g., 25-27 gauge)
- Animal restraint device (optional)
- 70% ethanol

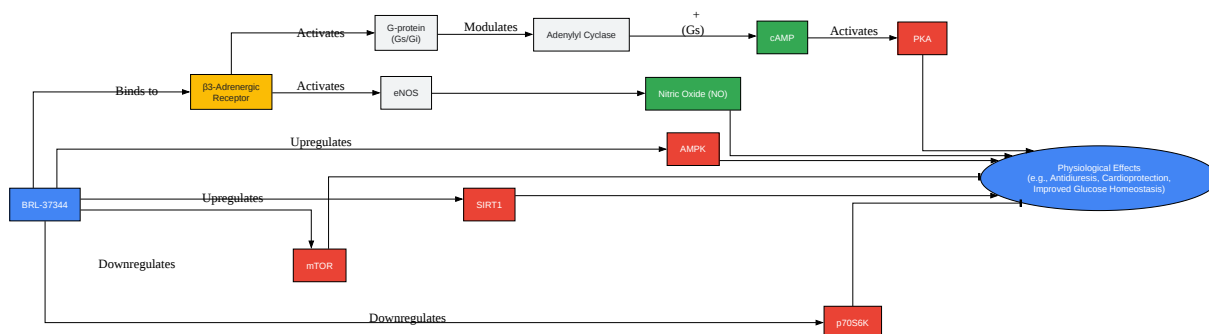
Procedure:

- Animal Restraint:
 - Restrain the mouse by scruffing the loose skin between the shoulder blades.
- Injection Site Identification:
 - The injection site is typically the loose skin over the back, between the shoulder blades.
- Injection:
 - Wipe the injection site with 70% ethanol.
 - Lift the skin to create a "tent."
 - Insert the needle at the base of the tented skin, parallel to the spine.
 - Aspirate gently to ensure the needle has not entered a blood vessel.
 - Slowly inject the **BRL-37344** solution.
- Post-Injection Care:
 - Withdraw the needle and gently massage the area to help disperse the solution.
 - Return the mouse to its cage and monitor for any adverse reactions.

Mandatory Visualizations

Signaling Pathways of **BRL-37344**

The following diagram illustrates the primary signaling pathways activated by **BRL-37344** upon binding to the β 3-adrenergic receptor.

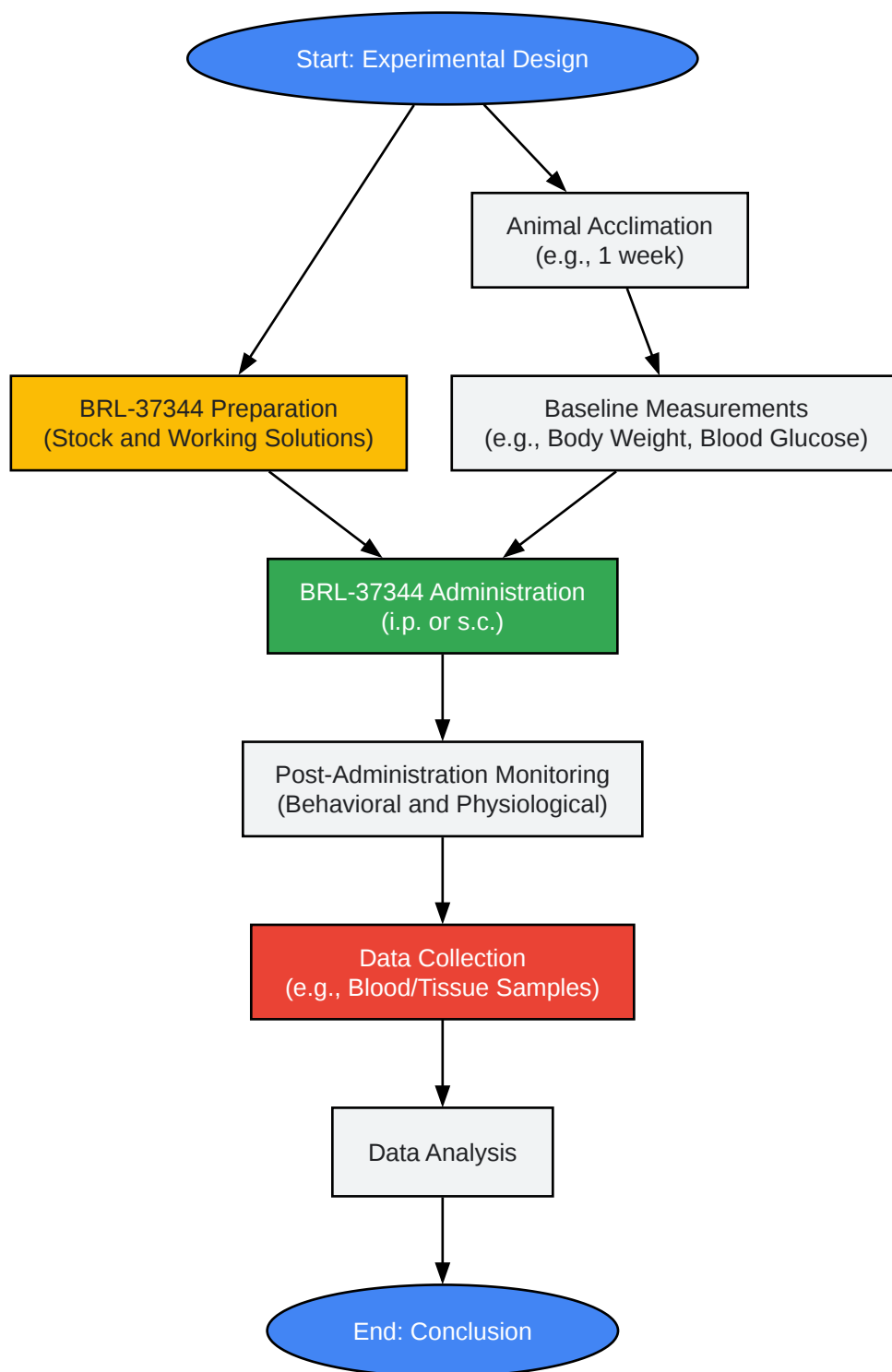


[Click to download full resolution via product page](#)

Caption: **BRL-37344** signaling cascade.

Experimental Workflow for **BRL-37344** Administration in Mice

This diagram outlines a typical experimental workflow for administering **BRL-37344** to mice and observing the outcomes.

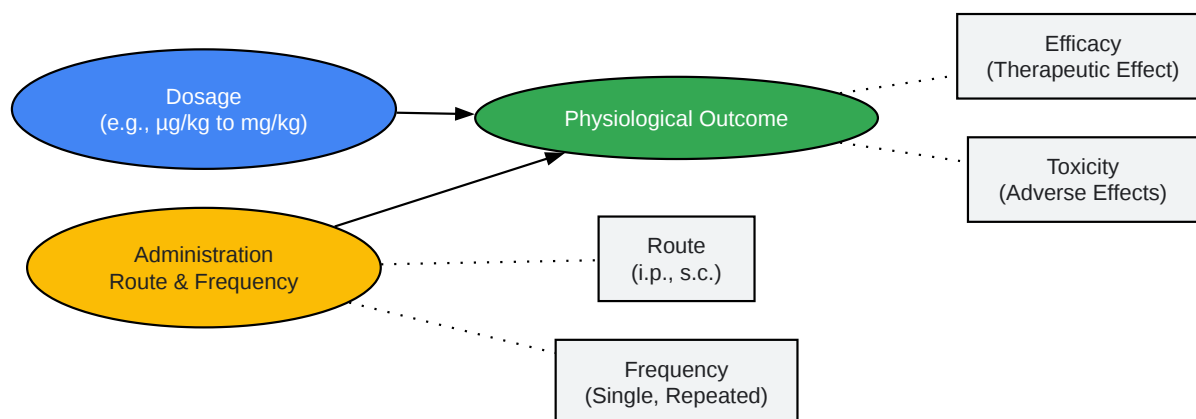


[Click to download full resolution via product page](#)

Caption: In vivo **BRL-37344** experimental workflow.

Logical Relationship: Dosage, Administration, and Effect

This diagram illustrates the relationship between the dosage of **BRL-37344**, the route and frequency of its administration, and the resulting physiological effects in mouse models.



[Click to download full resolution via product page](#)

Caption: Dosage-administration-effect relationship.

Need Custom Synthesis?

BenchChem offers custom synthesis for rare earth carbides and specific isotopic labeling.

Email: info@benchchem.com or [Request Quote Online](#).

References

- 1. The β_3 -AR agonist BRL37344 ameliorates the main symptoms of X-linked nephrogenic diabetes insipidus in the mouse model of the disease - PMC [[pmc.ncbi.nlm.nih.gov](https://pubmed.ncbi.nlm.nih.gov/)]
- 2. The β_3 -AR agonist BRL37344 ameliorates the main symptoms of X-linked nephrogenic diabetes insipidus in the mouse model of the disease - PubMed [pubmed.ncbi.nlm.nih.gov]
- 3. scielo.br [scielo.br]
- 4. scielo.br [scielo.br]
- 5. β_3 Adrenoceptor Agonism Prevents Hyperoxia-Induced Colonic Alterations | MDPI [mdpi.com]

- [6. Beta-3 Adrenoceptor Agonism Protects the Enteric Nervous Tissue Against Hyperoxia-Induced Damage - PMC \[pmc.ncbi.nlm.nih.gov\]](#)
- [7. medchemexpress.com \[medchemexpress.com\]](#)
- [8. BRL37344, but not CGP12177, stimulates fuel oxidation by soleus muscle in vitro - PubMed \[pubmed.ncbi.nlm.nih.gov\]](#)
- [9. animalcare.ubc.ca \[animalcare.ubc.ca\]](#)
- To cite this document: BenchChem. [Application Notes and Protocols for B.R.L-37344 in Mouse Models]. BenchChem, [2026]. [Online PDF]. Available at: [\[https://www.benchchem.com/product/b12377262/docs#application-notes-and-protocols-for-b-r-l-37344-in-mouse-models\]](https://www.benchchem.com/product/b12377262/docs#application-notes-and-protocols-for-b-r-l-37344-in-mouse-models)

Disclaimer & Data Validity:

The information provided in this document is for Research Use Only (RUO) and is strictly not intended for diagnostic or therapeutic procedures. While BenchChem strives to provide accurate protocols, we make no warranties, express or implied, regarding the fitness of this product for every specific experimental setup.

Technical Support: The protocols provided are for reference purposes. Unsure if this reagent suits your experiment?

Need Industrial/Bulk Grade? [Request Custom Synthesis Quote](#)

BenchChem

Our mission is to be the trusted global source of essential and advanced chemicals, empowering scientists and researchers to drive progress in science and industry.

Contact

Address: 3281 E Guasti Rd
Ontario, CA 91761, United States
Phone: (601) 213-4426
Email: info@benchchem.com

Contact our Ph.D. Support Team for a compatibility check