

# Detecting Fleeting Tryptophan Radicals: A Guide to Advanced Techniques

**Author:** BenchChem Technical Support Team. **Date:** April 2026

## Compound of Interest

Compound Name: *Tryptophan radical*

Cat. No.: *B1237849*

[Get Quote](#)

## Application Note & Protocol

Audience: Researchers, scientists, and drug development professionals.

Introduction: **Tryptophan radicals** are transient, highly reactive species implicated in a wide range of biological processes, including enzyme catalysis, electron transfer reactions, and oxidative stress-related protein damage.[1] Due to their fleeting nature, with lifetimes often in the nanosecond to microsecond range, their direct detection and characterization in solution present a significant experimental challenge. This document provides a detailed overview of key techniques for the detection and characterization of transient **tryptophan radicals**, complete with experimental protocols and comparative data to guide researchers in selecting the most appropriate method for their studies.

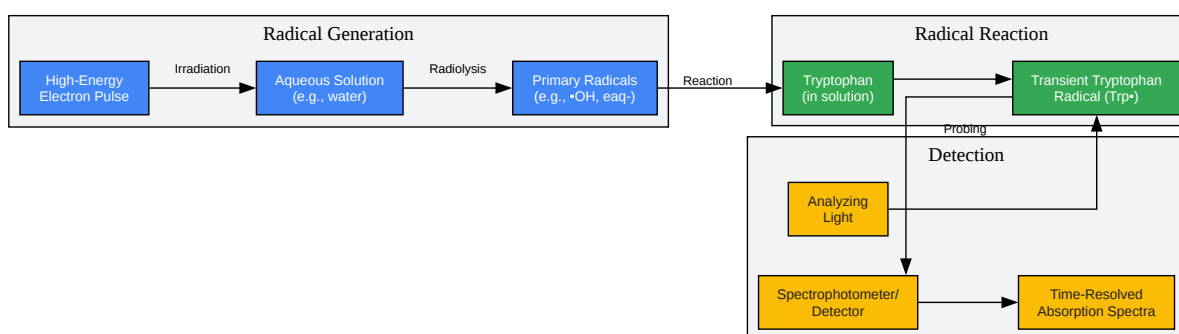
## Core Techniques for Transient Radical Detection

The primary methods for investigating transient **tryptophan radicals** rely on time-resolved spectroscopic techniques. These methods allow for the generation and subsequent monitoring of these short-lived species on a timescale commensurate with their existence. The most powerful and widely used techniques include Pulse Radiolysis, Laser Flash Photolysis, and Electron Paramagnetic Resonance (EPR) Spectroscopy, often coupled with spin trapping.

## Pulse Radiolysis

Pulse radiolysis is a powerful technique for generating and studying free radicals in solution.[2][3][4] It involves irradiating a sample with a short, high-energy pulse of electrons, which leads to the formation of primary radicals from the solvent (e.g., hydrated electrons and hydroxyl radicals in water). These primary radicals can then react with solutes, such as tryptophan, to generate the radical species of interest in a controlled manner.[5][6] The subsequent decay and reactions of the **tryptophan radical** are monitored using time-resolved absorption spectroscopy.[7]

## Experimental Workflow: Pulse Radiolysis



[Click to download full resolution via product page](#)

Caption: Workflow for **tryptophan radical** detection using pulse radiolysis.

## Protocol: Pulse Radiolysis of Aqueous Tryptophan Solutions

Objective: To generate and characterize the transient absorption spectrum of the **tryptophan radical**.

#### Materials:

- Pulse radiolysis setup (e.g., linear accelerator)
- Time-resolved spectrophotometer
- High-purity water (Milli-Q or equivalent)
- L-Tryptophan
- Nitrous oxide (N<sub>2</sub>O) gas
- Phosphate buffer components (e.g., NaH<sub>2</sub>PO<sub>4</sub>, Na<sub>2</sub>HPO<sub>4</sub>)
- Quartz cuvettes suitable for pulse radiolysis

#### Procedure:

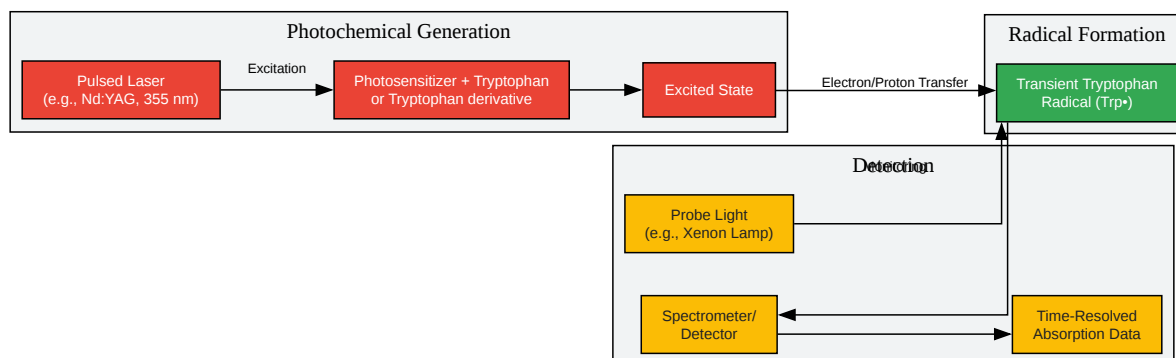
- Sample Preparation:
  - Prepare a stock solution of L-tryptophan in high-purity water.
  - Prepare a phosphate buffer solution (e.g., 10 mM, pH 7.0).
  - The final sample solution should contain the desired concentration of tryptophan in the phosphate buffer.
  - To specifically study the reaction with hydroxyl radicals, saturate the solution with nitrous oxide (N<sub>2</sub>O) for at least 30 minutes prior to the experiment. N<sub>2</sub>O converts hydrated electrons (e<sub>ao</sub><sup>-</sup>) into hydroxyl radicals (•OH).
- Pulse Radiolysis Experiment:
  - Transfer the prepared solution to a quartz cuvette and place it in the sample holder of the pulse radiolysis system.
  - Deliver a short pulse of high-energy electrons (e.g., 4-10 MeV, 10-50 ns pulse width) to the sample.

- Simultaneously, probe the sample with a light source (e.g., Xenon lamp) perpendicular to the electron beam.
- Record the change in absorbance of the sample over time using a fast photodetector and oscilloscope or a CCD camera.
- Acquire transient absorption spectra at various time delays after the electron pulse.
- Data Analysis:
  - Correct the raw data for baseline and any solvent-only transient signals.
  - Plot the change in absorbance ( $\Delta A$ ) as a function of wavelength to obtain the transient absorption spectrum of the **tryptophan radical**.
  - Analyze the kinetic traces at specific wavelengths (e.g., the absorption maximum of the radical) to determine the formation and decay kinetics.

## Laser Flash Photolysis

Laser flash photolysis is another powerful technique for studying transient species. In this method, a short, intense laser pulse is used to excite a photosensitizer, which then reacts with tryptophan to generate the radical.<sup>[8]</sup> Alternatively, direct photolysis of tryptophan or a modified tryptophan derivative can be employed to generate the radical.<sup>[9][10]</sup> Similar to pulse radiolysis, the resulting transient species are monitored by time-resolved absorption spectroscopy.

## Experimental Workflow: Laser Flash Photolysis



[Click to download full resolution via product page](#)

Caption: Workflow for **tryptophan radical** detection via laser flash photolysis.

## Protocol: Laser Flash Photolysis of Tryptophan with a Photosensitizer

Objective: To generate the **tryptophan radical** via a photosensitized reaction and measure its transient absorption spectrum and lifetime.

Materials:

- Nanosecond laser flash photolysis system (e.g., Nd:YAG laser with appropriate harmonics).
- Probe lamp (e.g., pulsed Xenon arc lamp).
- Monochromator and fast detector (e.g., photomultiplier tube or ICCD camera).
- L-Tryptophan.
- Photosensitizer (e.g., riboflavin, flavin adenine dinucleotide (FAD)).[8]

- Appropriate solvent and buffer (e.g., phosphate buffer, pH 7.2).
- Inert gas (e.g., argon or nitrogen) for deoxygenation.
- Quartz cuvettes.

Procedure:

- Sample Preparation:
  - Prepare a solution containing L-tryptophan and the photosensitizer in the chosen buffer.
  - Deoxygenate the solution by bubbling with argon or nitrogen for at least 30 minutes to prevent quenching of the excited states by oxygen.
- Laser Flash Photolysis Experiment:
  - Place the deoxygenated sample in a quartz cuvette in the sample holder.
  - Excite the sample with a short laser pulse at a wavelength where the photosensitizer absorbs (e.g., 355 nm for flavins).
  - Monitor the change in absorbance of the sample over time using the probe light and detector system.
  - Record kinetic traces at different wavelengths to construct the time-resolved absorption spectrum.
- Data Analysis:
  - Analyze the kinetic traces to determine the lifetime of the **tryptophan radical**.
  - The spectrum of the **tryptophan radical** can be obtained by plotting the absorbance change as a function of wavelength at a specific time after the laser pulse.[9]

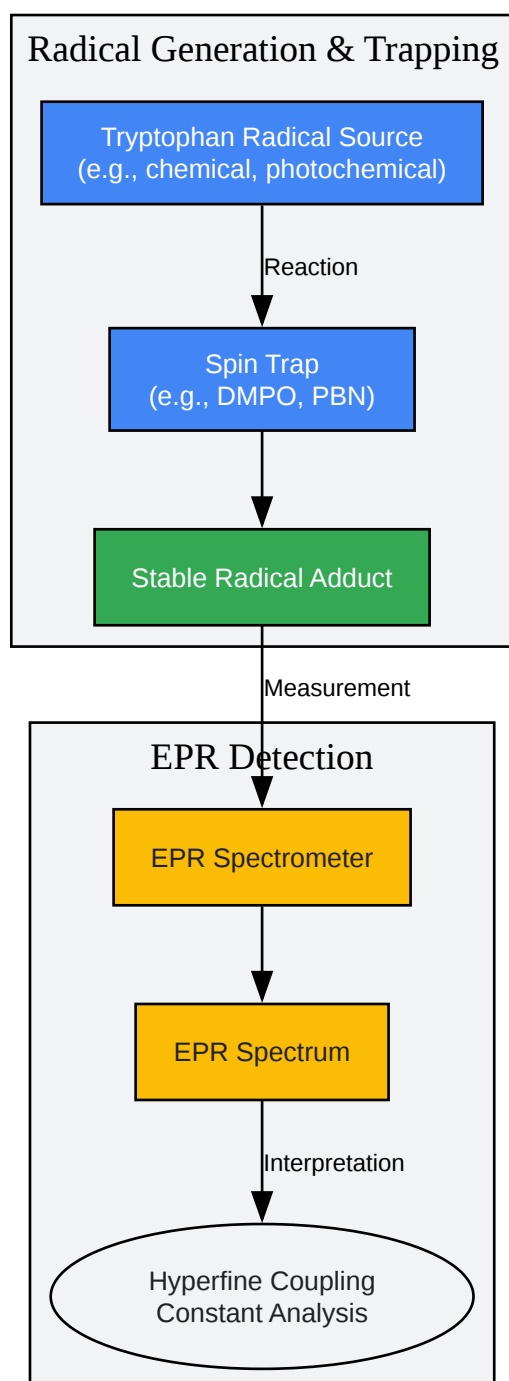
## Electron Paramagnetic Resonance (EPR) Spectroscopy

EPR spectroscopy is a magnetic resonance technique that directly detects species with unpaired electrons, such as free radicals.[11] While direct detection of highly transient radicals in solution at room temperature can be challenging, EPR is extremely powerful, especially when combined with techniques like spin trapping or when experiments are conducted at cryogenic temperatures.[1]

## Spin Trapping EPR

Spin trapping is an analytical technique used to detect and identify short-lived free radicals.[11] It involves the use of a "spin trap," a molecule that reacts with the transient radical to form a more stable, persistent radical adduct. This adduct can then be readily detected by conventional EPR spectroscopy.[11][12]

## Experimental Workflow: Spin Trapping EPR



[Click to download full resolution via product page](#)

Caption: Workflow for detecting **tryptophan radicals** using spin trapping EPR.

## Protocol: Spin Trapping of Tryptophan Radicals

Objective: To detect and identify **tryptophan radicals** using EPR spectroscopy and a spin trap.

#### Materials:

- EPR spectrometer (X-band).
- **Tryptophan radical** generation system (e.g., UV irradiation, chemical oxidation).
- Spin trap (e.g., 5,5-dimethyl-1-pyrroline N-oxide (DMPO) or  $\alpha$ -phenyl-N-tert-butyl nitron (PBN)).<sup>[11]</sup>
- High-purity solvents and buffers.
- Capillary tubes for EPR measurements.

#### Procedure:

- Sample Preparation:
  - Prepare a solution containing tryptophan and the spin trap in a suitable buffer. The concentration of the spin trap should be significantly higher than the expected radical concentration.
- Radical Generation and Trapping:
  - Generate the **tryptophan radicals** in the presence of the spin trap. This can be achieved, for example, by UV photolysis of the solution directly in the EPR cavity or by mixing solutions of tryptophan and an oxidizing agent.
- EPR Measurement:
  - Transfer the solution to a capillary tube and place it in the EPR spectrometer.
  - Record the EPR spectrum. Typical X-band EPR settings include a microwave frequency of ~9.5 GHz, a microwave power that avoids saturation, and a specific magnetic field modulation amplitude.
- Data Analysis:
  - The resulting EPR spectrum is characteristic of the spin adduct.

- Analyze the spectrum to determine the g-value and the hyperfine coupling constants. These parameters provide information about the structure of the trapped radical and can be used to confirm the identity of the **tryptophan radical**.[\[13\]](#)

## Quantitative Data Summary

The following tables summarize key quantitative data for transient **tryptophan radicals** obtained from the literature.

Table 1: Spectral Properties of **Tryptophan Radicals** in Solution

Radical Species	Technique	Wavelength ( $\lambda_{\max}$ )	Molar Absorptivity ( $\epsilon$ )	Conditions	Reference
Neutral Tryptophan Radical (Trp•)	Pulse Radiolysis	~510 nm	~1800 $M^{-1}cm^{-1}$	Neutral pH	<a href="#">[5]</a>
Neutral Tryptophan Radical (Trp•)	Laser Flash Photolysis	510 nm	~2200 $M^{-1}cm^{-1}$	pH 7.2	<a href="#">[9]</a> <a href="#">[14]</a>
Tryptophan Cation Radical (Trp•H <sup>+</sup> )	Pulse Radiolysis	~580 nm	-	pH 3	<a href="#">[7]</a>
Tryptophan Cation Radical (Trp•H <sup>+</sup> )	Laser Flash Photolysis	560 nm	-	Acidic	<a href="#">[9]</a>

Table 2: Kinetic and Thermodynamic Properties of **Tryptophan Radicals**

Property	Value	Technique	Conditions	Reference
pK <sub>a</sub> (Trp•H <sup>+</sup> ⇌ Trp• + H <sup>+</sup> )	4.3	Pulse Radiolysis	Aqueous Solution	[5]
Redox Potential (Trp•/TrpH)	1.05 ± 0.01 V vs NHE	Pulse Radiolysis	pH 7.0, 25°C	[2]
Dimerization Rate Constant (Trp• + Trp•)	2-6 x 10 <sup>8</sup> M <sup>-1</sup> s <sup>-1</sup>	Pulse Radiolysis	Peptides	[15]
Quantum Yield (Trp• formation)	1.0 ± 0.1	Laser Flash Photolysis	N-hydroxypyridine-2-thione derivative	[9]
Quantum Yield (W48• in ZnIIAz48W)	0.083 ± 0.003	Photolysis	Protein matrix	[14]

 Table 3: EPR Parameters of **Tryptophan Radical** Species

Radical Species	g-value	Hyperfine Coupling Constants (mT)	Technique	Reference
Tryptophan Radical Cation	~2.0030	a(N <sub>1</sub> -H) ≈ 0.68, a(Hβ <sub>1</sub> ) ≈ 0.9, a(Hβ <sub>2</sub> ) ≈ 0.4	Fast-flow ESR	[16]
Neutral Tryptophan Radical (in protein)	~2.003	Varies with environment	EPR, ENDOR	[13]

## Conclusion

The detection and characterization of transient **tryptophan radicals** require specialized, time-resolved techniques. Pulse radiolysis and laser flash photolysis provide invaluable information on the spectral properties and reaction kinetics of these species, while EPR spectroscopy, particularly with spin trapping, offers a powerful method for their identification and structural characterization. The choice of technique will depend on the specific research question, the nature of the system under investigation, and the available instrumentation. The protocols and data presented here serve as a guide for researchers embarking on the study of these important but elusive radical intermediates.

### *Need Custom Synthesis?*

*BenchChem offers custom synthesis for rare earth carbides and specific isotopic labeling.*

*Email: [info@benchchem.com](mailto:info@benchchem.com) or [Request Quote Online](#).*

## References

- [1. pmc.ncbi.nlm.nih.gov \[pmc.ncbi.nlm.nih.gov\]](https://pubmed.ncbi.nlm.nih.gov/)
- [2. pubmed.ncbi.nlm.nih.gov \[pubmed.ncbi.nlm.nih.gov\]](https://pubmed.ncbi.nlm.nih.gov/)
- [3. pubmed.ncbi.nlm.nih.gov \[pubmed.ncbi.nlm.nih.gov\]](https://pubmed.ncbi.nlm.nih.gov/)
- [4. Applications of Pulse Radiolysis to Protein Chemistry | Quarterly Reviews of Biophysics | Cambridge Core \[cambridge.org\]](#)
- [5. Mechanism of tryptophan oxidation by some inorganic radical-anions: a pulse radiolysis study - Journal of the Chemical Society, Faraday Transactions 1: Physical Chemistry in Condensed Phases \(RSC Publishing\) \[pubs.rsc.org\]](#)
- [6. akjournals.com \[akjournals.com\]](https://akjournals.com/)
- [7. pubs.acs.org \[pubs.acs.org\]](https://pubs.acs.org/)
- [8. pubmed.ncbi.nlm.nih.gov \[pubmed.ncbi.nlm.nih.gov\]](https://pubmed.ncbi.nlm.nih.gov/)
- [9. pubs.acs.org \[pubs.acs.org\]](https://pubs.acs.org/)
- [10. pubs.acs.org \[pubs.acs.org\]](https://pubs.acs.org/)
- [11. en.wikipedia.org \[en.wikipedia.org\]](https://en.wikipedia.org/)
- [12. pmc.ncbi.nlm.nih.gov \[pmc.ncbi.nlm.nih.gov\]](https://pubmed.ncbi.nlm.nih.gov/)
- [13. researchgate.net \[researchgate.net\]](https://researchgate.net/)

- [14. pmc.ncbi.nlm.nih.gov \[pmc.ncbi.nlm.nih.gov\]](https://pubmed.ncbi.nlm.nih.gov/)
- [15. pubmed.ncbi.nlm.nih.gov \[pubmed.ncbi.nlm.nih.gov\]](https://pubmed.ncbi.nlm.nih.gov/)
- [16. pmc.ncbi.nlm.nih.gov \[pmc.ncbi.nlm.nih.gov\]](https://pubmed.ncbi.nlm.nih.gov/)
- To cite this document: BenchChem. [Detecting Fleeting Tryptophan Radicals: A Guide to Advanced Techniques]. BenchChem, [2026]. [Online PDF]. Available at: [\[https://www.benchchem.com/product/b1237849/docs#detecting-fleeting-tryptophan-radicals-a-guide-to-advanced-techniques\]](https://www.benchchem.com/product/b1237849/docs#detecting-fleeting-tryptophan-radicals-a-guide-to-advanced-techniques)

### Disclaimer & Data Validity:

The information provided in this document is for Research Use Only (RUO) and is strictly not intended for diagnostic or therapeutic procedures. While BenchChem strives to provide accurate protocols, we make no warranties, express or implied, regarding the fitness of this product for every specific experimental setup.

**Technical Support:** The protocols provided are for reference purposes. Unsure if this reagent suits your experiment?

**Need Industrial/Bulk Grade?** [Request Custom Synthesis Quote](#)

## BenchChem

Our mission is to be the trusted global source of essential and advanced chemicals, empowering scientists and researchers to drive progress in science and industry.

### Contact

Address: 3281 E Guasti Rd  
Ontario, CA 91761, United States  
Phone: (601) 213-4426  
Email: [info@benchchem.com](mailto:info@benchchem.com)

[Contact our Ph.D. Support Team for a compatibility check](#)

