

Compound B172: An In-Depth Technical Guide to Myosin ATPase Inhibition

Author: BenchChem Technical Support Team. **Date:** April 2026

Compound of Interest

Compound Name: *Myosin modulator 2*

Cat. No.: *B12369303*

[Get Quote](#)

For Researchers, Scientists, and Drug Development Professionals

Abstract

Compound B172 is a novel small molecule modulator of myosin, belonging to the 1,4-dihydroquinazolinone class of compounds. It functions as an inhibitor of myosin ATPase, the enzyme that powers the contractile force of muscle by hydrolyzing ATP. This technical guide provides a comprehensive overview of the available preclinical data on Compound B172, including its inhibitory potency, mechanism of action, and effects on cardiac function. Detailed experimental protocols for key assays and visualizations of the relevant biological pathways are presented to support further research and development efforts in the field of muscle contractility and related diseases, such as hypertrophic cardiomyopathy.

Introduction

Myosin is the molecular motor responsible for muscle contraction, a process fueled by the hydrolysis of ATP. The ATPase activity of myosin is a critical determinant of the speed and force of muscle contraction. In certain pathological conditions, such as hypertrophic cardiomyopathy (HCM), dysregulation of myosin function leads to hypercontractility and impaired relaxation of the heart muscle.[1] Cardiac myosin inhibitors are an emerging class of therapeutic agents that

directly target the underlying pathophysiology of HCM by reducing the excessive formation of actin-myosin cross-bridges.[2][3][4]

Compound B172 has been identified as a modulator of myosin that inhibits its ATPase activity. [2] Preclinical studies have demonstrated its potential to regulate cardiac systolic performance, suggesting its utility as a research tool and a potential therapeutic candidate for conditions characterized by myocardial hypercontractility.

Quantitative Data on Myosin ATPase Inhibition

The inhibitory potency of Compound B172 against myosin ATPase has been evaluated in different muscle tissue preparations. The following table summarizes the available quantitative data, presented as IC25 values (the concentration of the compound required to inhibit 25% of the enzyme's activity).

Tissue Source	Myosin Type	IC25 (μM)
Rabbit Psoas	Skeletal Muscle	2.013[2]
Porcine Atria	Cardiac Muscle	2.94[2]
Porcine Ventricle	Cardiac Muscle	20.93[2]

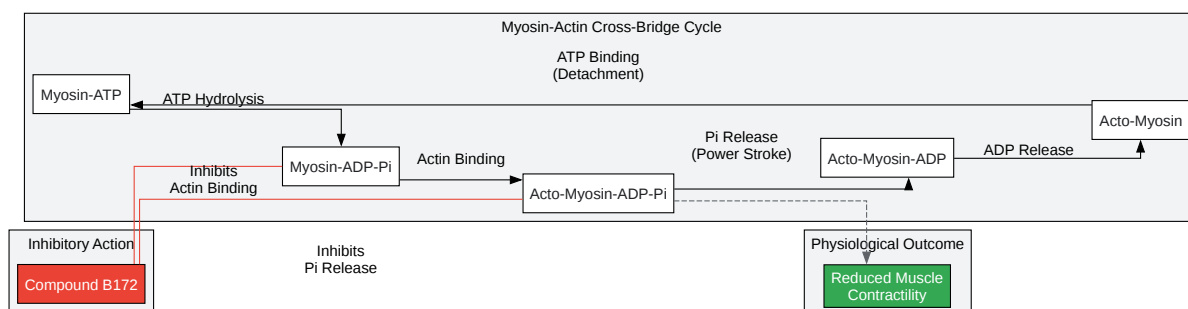
Mechanism of Action

Compound B172 is an allosteric inhibitor of myosin ATPase. Its mechanism of action involves the modulation of the myosin motor's enzymatic cycle. By binding to a site distinct from the ATP binding pocket, it influences the conformational changes that are essential for ATP hydrolysis and force production.

The primary mechanism of cardiac myosin inhibitors is to stabilize the "super-relaxed state" (SRX) of myosin. In this state, the myosin heads are folded back and are less available to interact with actin, leading to a reduction in the number of force-producing cross-bridges. This, in turn, decreases the overall contractility of the muscle.

Signaling Pathway of Myosin ATPase Inhibition

The following diagram illustrates the proposed signaling pathway for the inhibition of myosin ATPase by compounds like B172, leading to reduced muscle contractility.



[Click to download full resolution via product page](#)

Caption: Proposed mechanism of Myosin ATPase inhibition by Compound B172.

Experimental Protocols

This section provides detailed methodologies for the key experiments used to characterize the activity of Compound B172.

Myosin ATPase Activity Assay

This protocol describes a general method for measuring the ATPase activity of myosin, which can be adapted to determine the IC₂₅ values of inhibitors like Compound B172. The assay is based on the colorimetric detection of inorganic phosphate (Pi) released from ATP hydrolysis.

Materials:

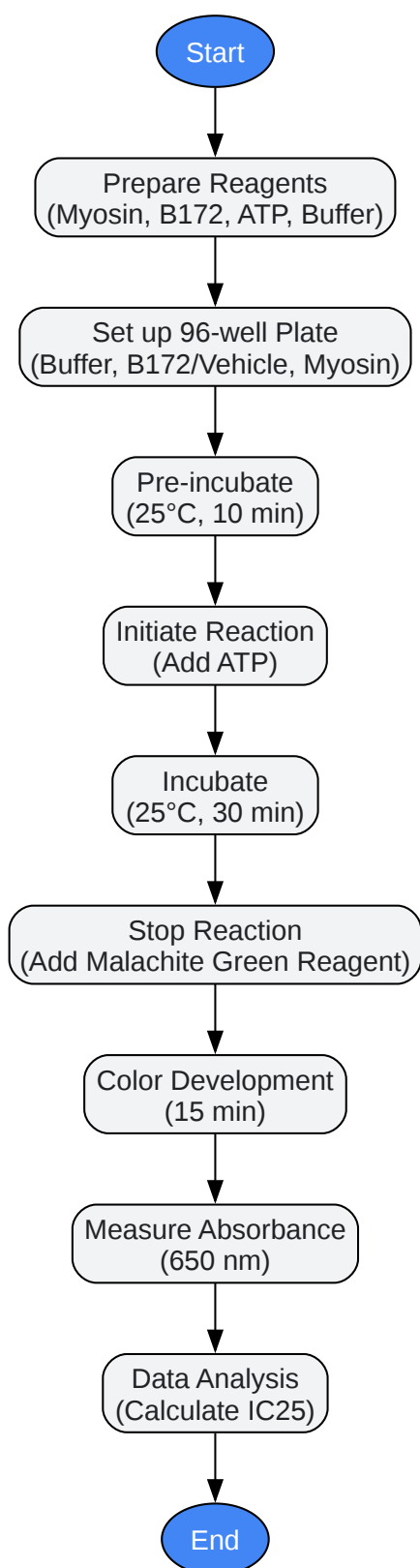
- Purified myosin (from rabbit psoas, porcine atria, or porcine ventricle)
- Actin (for actin-activated ATPase assay)
- ATP solution (50 mM)
- Assay Buffer: 20 mM imidazole (pH 7.5), 50 mM KCl, 4 mM MgCl₂, 1 mM DTT
- Compound B172 stock solution (in DMSO)
- Malachite Green Reagent:
 - Solution A: 0.045% (w/v) Malachite Green hydrochloride in water
 - Solution B: 4.2% (w/v) ammonium molybdate in 4 N HCl
 - Solution C: 34% (w/v) sodium citrate
 - Working Reagent: Mix 100 volumes of Solution A with 25 volumes of Solution B, and add 1 volume of Triton X-100. Just before use, add 1 volume of Solution C.
- 96-well microplate
- Microplate reader

Procedure:

- Preparation of Reagents: Prepare all solutions and keep them on ice. Dilute Compound B172 to various concentrations in the Assay Buffer.
- Reaction Setup:
 - Add 50 µL of Assay Buffer to each well of a 96-well plate.
 - Add 10 µL of the diluted Compound B172 or vehicle (DMSO) to the respective wells.
 - Add 20 µL of purified myosin solution (final concentration ~0.2 mg/mL).
 - For actin-activated assays, add 10 µL of F-actin solution (final concentration ~1 mg/mL).

- Pre-incubate the plate at 25°C for 10 minutes.
- Initiation of Reaction: Start the reaction by adding 10 μL of ATP solution (final concentration 5 mM) to each well.
- Incubation: Incubate the plate at 25°C for 30 minutes.
- Termination and Color Development: Stop the reaction by adding 100 μL of the Malachite Green Working Reagent to each well. Incubate at room temperature for 15 minutes to allow for color development.
- Measurement: Measure the absorbance at 650 nm using a microplate reader.
- Data Analysis:
 - Generate a standard curve using known concentrations of inorganic phosphate.
 - Calculate the amount of Pi released in each well from the standard curve.
 - Plot the percentage of inhibition against the logarithm of the inhibitor concentration.
 - Determine the IC₂₅ value by fitting the data to a dose-response curve.

Experimental Workflow for ATPase Assay



[Click to download full resolution via product page](#)

Caption: Workflow for the Myosin ATPase inhibition assay.

Assessment of Systolic Cardiac Performance in Sprague Dawley Rats

Compound B172 has been shown to regulate systolic cardiac performance in Sprague Dawley rats.[2] The following is a representative protocol for assessing cardiac function in rats using echocardiography.

Animals:

- Male Sprague-Dawley rats (250-300 g)

Equipment:

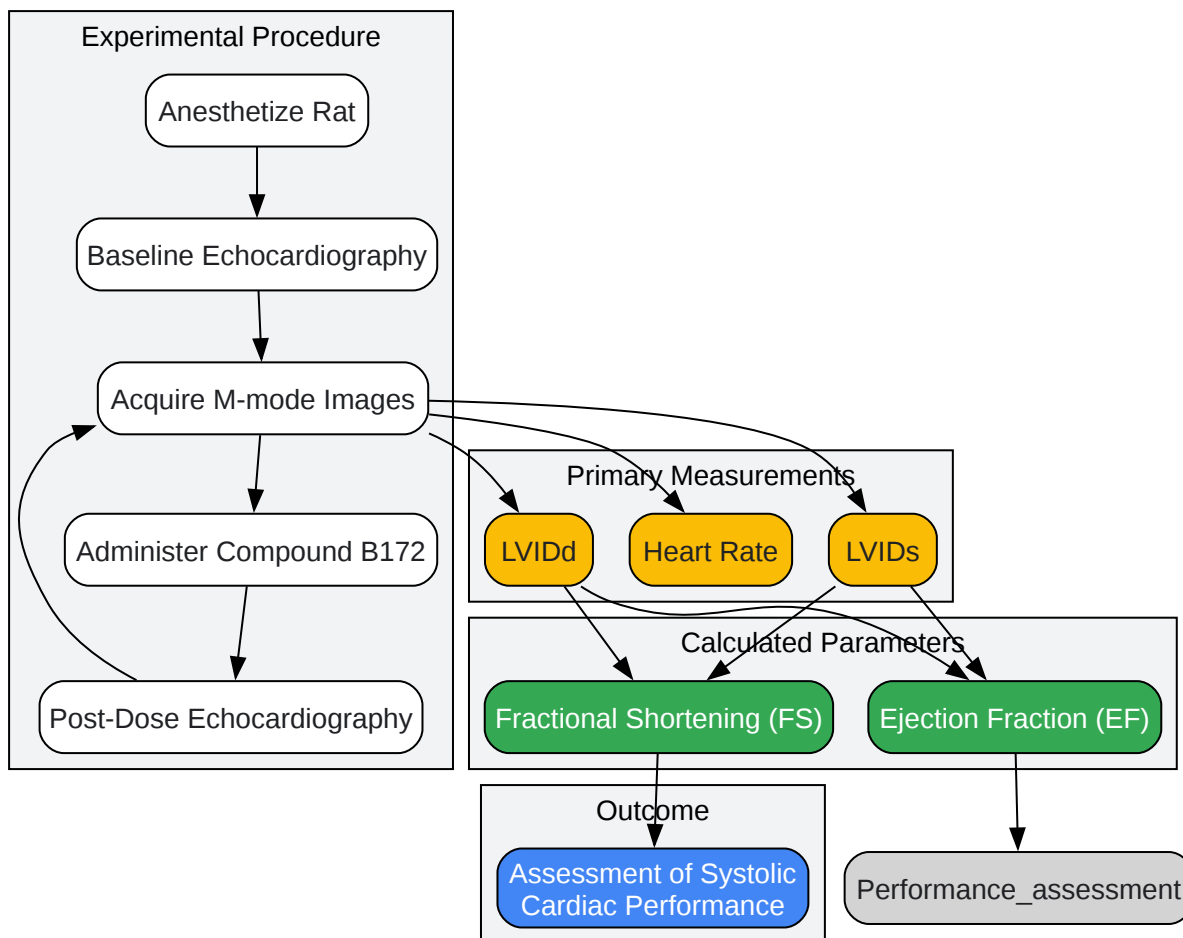
- High-frequency ultrasound system with a small animal probe (e.g., 12-15 MHz)
- Anesthesia machine (isoflurane)
- Warming pad
- ECG and temperature monitoring system

Procedure:

- Animal Preparation:
 - Anesthetize the rat with isoflurane (1-2% in oxygen).
 - Shave the chest area to ensure good probe contact.
 - Place the rat in a supine position on a warming pad to maintain body temperature.
 - Monitor ECG and respiration throughout the procedure.
- Echocardiographic Imaging:
 - Apply ultrasound gel to the chest.

- Obtain two-dimensional M-mode images from the parasternal short-axis view at the level of the papillary muscles.
- Data Acquisition:
 - Record M-mode images for at least three consecutive cardiac cycles.
 - Measure the following parameters from the M-mode tracings:
 - Left ventricular internal dimension at end-diastole (LVIDd)
 - Left ventricular internal dimension at end-systole (LVIDs)
 - Heart rate (HR)
- Compound Administration: Administer Compound B172 (or vehicle control) via an appropriate route (e.g., oral gavage or intravenous injection).
- Post-Dose Imaging: Repeat the echocardiographic measurements at specified time points after compound administration.
- Data Analysis:
 - Calculate the following indices of systolic function:
 - Fractional Shortening (FS %): $[(LVIDd - LVIDs) / LVIDd] * 100$
 - Ejection Fraction (EF %): $[(LVIDd^3 - LVIDs^3) / LVIDd^3] * 100$ (using the Teichholz formula)
 - Compare the pre-dose and post-dose values to assess the effect of Compound B172 on systolic cardiac performance.
 - Statistical analysis (e.g., t-test or ANOVA) should be performed to determine the significance of any observed changes.

Logical Relationship for In Vivo Cardiac Function Assessment



[Click to download full resolution via product page](#)

Caption: Logical flow of in vivo cardiac function assessment.

Drug Development and Future Directions

Compound B172 is currently at a preclinical stage of development. Its characterization as a myosin ATPase inhibitor places it within a class of drugs with significant therapeutic potential for hypertrophic cardiomyopathy and potentially other conditions involving muscle

hypercontractility. Further studies are warranted to fully elucidate its pharmacokinetic and pharmacodynamic properties, as well as its long-term safety and efficacy in relevant animal models of disease. The detailed protocols and data presented in this guide are intended to facilitate these future research endeavors.

Need Custom Synthesis?

BenchChem offers custom synthesis for rare earth carbides and specific isotopic labeling.

Email: info@benchchem.com or [Request Quote Online](#).

References

- [1. WO2024073426A1 - 1,4-dihydroquinazolinone compounds and uses thereof - Google Patents \[patents.google.com\]](#)
- [2. Cardiac Myosin Inhibitors in Hypertrophic Cardiomyopathy: From Sarcomere to Clinic \[mdpi.com\]](#)
- [3. Cardiac myosin inhibitors - a cutting-edge solution for the management of hypertrophic cardiomyopathy: a narrative review - PMC \[pmc.ncbi.nlm.nih.gov\]](#)
- [4. Cardiac myosin inhibitors in hypertrophic cardiomyopathy - PubMed \[pubmed.ncbi.nlm.nih.gov\]](#)
- To cite this document: BenchChem. [Compound B172: An In-Depth Technical Guide to Myosin ATPase Inhibition]. BenchChem, [2026]. [Online PDF]. Available at: [\[https://www.benchchem.com/product/b12369303/docs#compound-b172-an-in-depth-technical-guide-to-myosin-atpase-inhibition\]](https://www.benchchem.com/product/b12369303/docs#compound-b172-an-in-depth-technical-guide-to-myosin-atpase-inhibition)

Disclaimer & Data Validity:

The information provided in this document is for Research Use Only (RUO) and is strictly not intended for diagnostic or therapeutic procedures. While BenchChem strives to provide accurate protocols, we make no warranties, express or implied, regarding the fitness of this product for every specific experimental setup.

Technical Support: The protocols provided are for reference purposes. Unsure if this reagent suits your experiment?

Need Industrial/Bulk Grade? [Request Custom Synthesis Quote](#)

BenchChem

Our mission is to be the trusted global source of essential and advanced chemicals, empowering scientists and researchers to drive progress in science and industry.

Contact

Address: 3281 E Guasti Rd
Ontario, CA 91761, United States
Phone: (601) 213-4426
Email: info@benchchem.com

[Contact our Ph.D. Support Team for a compatibility check](#)