

Technical Support Center: Investigating Mitochondrial Membrane Potential

Author: BenchChem Technical Support Team. **Date:** April 2026

Compound of Interest

Compound Name: ATP Synthesis-IN-3

Cat. No.: B12368787

[Get Quote](#)

This technical support center provides troubleshooting guides and frequently asked questions (FAQs) for researchers, scientists, and drug development professionals investigating the effects of novel compounds, such as ATP synthesis inhibitors, on mitochondrial membrane potential ($\Delta\Psi_m$).

Frequently Asked Questions (FAQs)

Q1: What is mitochondrial membrane potential and why is it important?

A1: The mitochondrial membrane potential ($\Delta\Psi_m$) is the electrochemical gradient of protons across the inner mitochondrial membrane. This gradient is crucial for cellular energy production, as it drives the synthesis of ATP by the enzyme ATP synthase through a process called oxidative phosphorylation.^{[1][2][3]} A stable $\Delta\Psi_m$ is a key indicator of mitochondrial health and overall cellular well-being.^{[4][5]}

Q2: How do ATP synthesis inhibitors affect mitochondrial membrane potential?

A2: ATP synthase utilizes the proton gradient to produce ATP. Inhibiting this enzyme can lead to a buildup of protons in the intermembrane space, which can initially cause hyperpolarization (an increase in $\Delta\Psi_m$). However, prolonged inhibition or secondary effects can disrupt the

electron transport chain, leading to depolarization (a decrease in $\Delta\Psi_m$) and mitochondrial dysfunction.

Q3: Which fluorescent dyes are commonly used to measure mitochondrial membrane potential?

A3: Cationic fluorescent dyes that accumulate in the negatively charged mitochondrial matrix are widely used. The most common are:

- JC-1: This ratiometric dye forms red-fluorescent aggregates in healthy mitochondria with high $\Delta\Psi_m$ and exists as green-fluorescent monomers in the cytoplasm and in mitochondria with low $\Delta\Psi_m$. The ratio of red to green fluorescence provides a semi-quantitative measure of mitochondrial polarization.
- TMRM (Tetramethylrhodamine, methyl ester) and TMRE (Tetramethylrhodamine, ethyl ester): These are single-wavelength dyes that accumulate in active mitochondria. A decrease in fluorescence intensity indicates mitochondrial depolarization.

Q4: What is the difference between "non-quenching" and "quenching" modes for TMRM/TMRE assays?

A4:

- Non-Quenching Mode: At low concentrations (e.g., 5-25 nM for TMRM), the fluorescent signal is directly proportional to the $\Delta\Psi_m$. A decrease in potential results in a decreased signal.
- Quenching Mode: At higher concentrations, the dye accumulates to a point where it self-quenches its fluorescence. A sudden depolarization event releases the dye into the cytoplasm, causing a temporary increase in fluorescence as the quenching is relieved. It's crucial to validate the mode you are using with a protonophore like FCCP.

Troubleshooting Guides

Issue 1: Unexpected Results with Positive Controls (e.g., FCCP, CCCP)

Symptom	Possible Cause	Suggested Solution
No change or increased fluorescence after adding FCCP/CCCP with TMRM/TMRE.	The dye concentration is too high, leading to quenching mode where depolarization causes an increase in signal.	Reduce the TMRM/TMRE concentration. Perform a concentration titration to find the optimal non-quenching concentration for your cell type.
Cells are unhealthy or dead, and thus already have a low $\Delta\Psi_m$.	Check cell viability using a method like Trypan Blue exclusion before starting the experiment.	
Weak or no response to FCCP/CCCP with JC-1.	The concentration of the uncoupler is insufficient to depolarize the mitochondria in your specific cell type or experimental conditions.	Optimize the FCCP/CCCP concentration. A typical starting point is 5-20 μM .
The incubation time with the uncoupler was too short.	Increase the incubation time with the uncoupler (e.g., 10-30 minutes).	

Issue 2: High Well-to-Well Variability or Inconsistent Fluorescence

Symptom	Possible Cause	Suggested Solution
Inconsistent fluorescence readings across replicate wells.	Uneven cell seeding density.	Ensure a single-cell suspension and proper mixing before plating to achieve a uniform cell monolayer.
Dye precipitation or aggregation. JC-1 is known for its low solubility in aqueous media.	Ensure the JC-1 reagent is completely thawed and warmed to room temperature before dilution. Mix well. Avoid centrifuging the JC-1 staining solution.	
Photobleaching of the fluorescent dye.	Minimize exposure of stained cells to light. Perform incubations in the dark and acquire images promptly after staining.	

Issue 3: Low Fluorescence Signal

Symptom	Possible Cause	Suggested Solution
Overall weak fluorescence signal in all wells, including untreated controls.	Insufficient dye concentration or staining time.	Optimize the dye concentration and incubation time for your specific cell type. Recommended starting ranges are 1-10 μ M for JC-1 and 20-200 nM for TMRM/TMRE.
Cells were washed too aggressively or too many times after staining, leading to loss of dye.	For some protocols, especially with TMRM/TMRE in flow cytometry, a wash step may not be necessary. If washing is required, do so gently with pre-warmed buffer.	
The cell number is too low.	Ensure an adequate number of cells are seeded per well.	

Experimental Protocols

Protocol 1: Measuring $\Delta\Psi_m$ using JC-1 with a Fluorescence Plate Reader

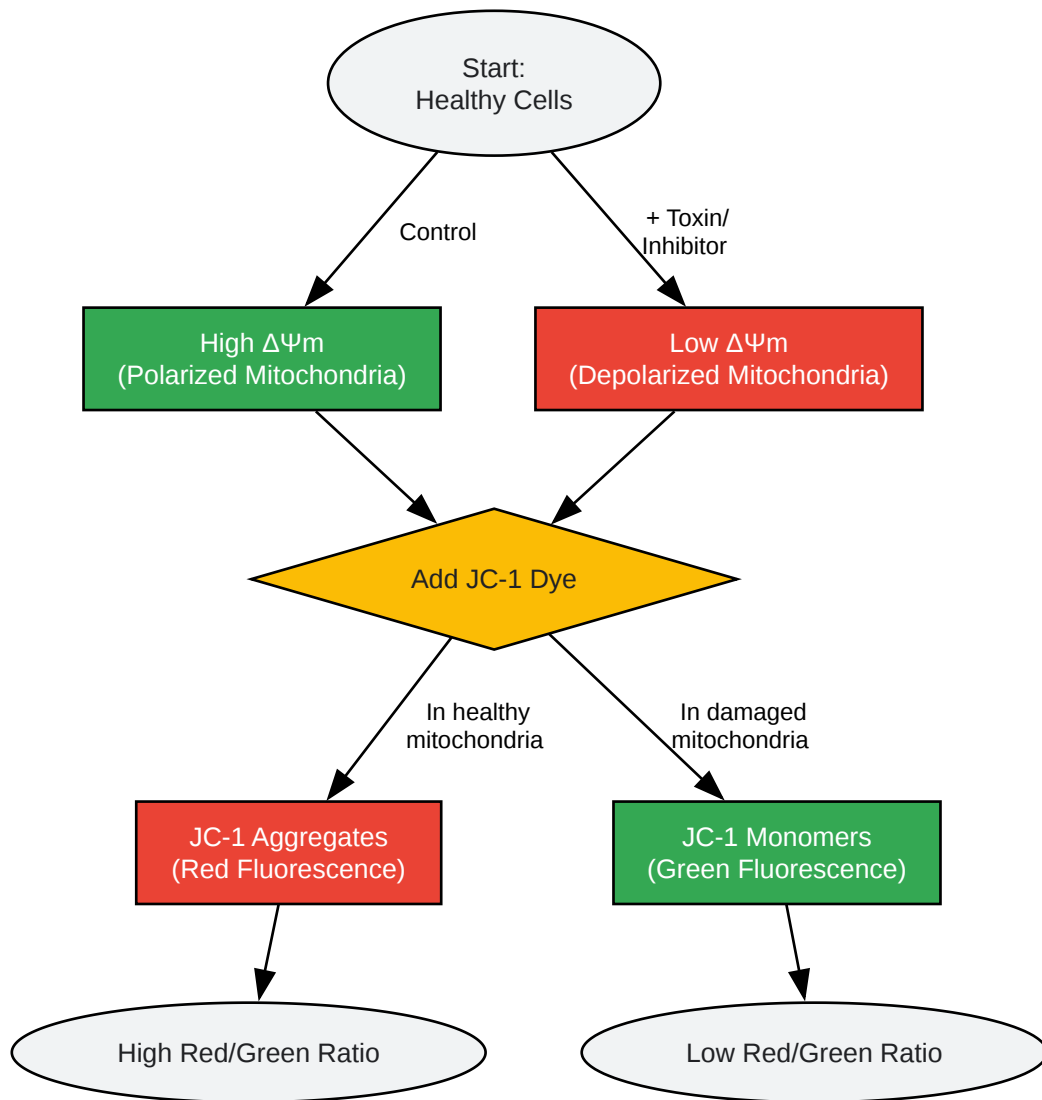
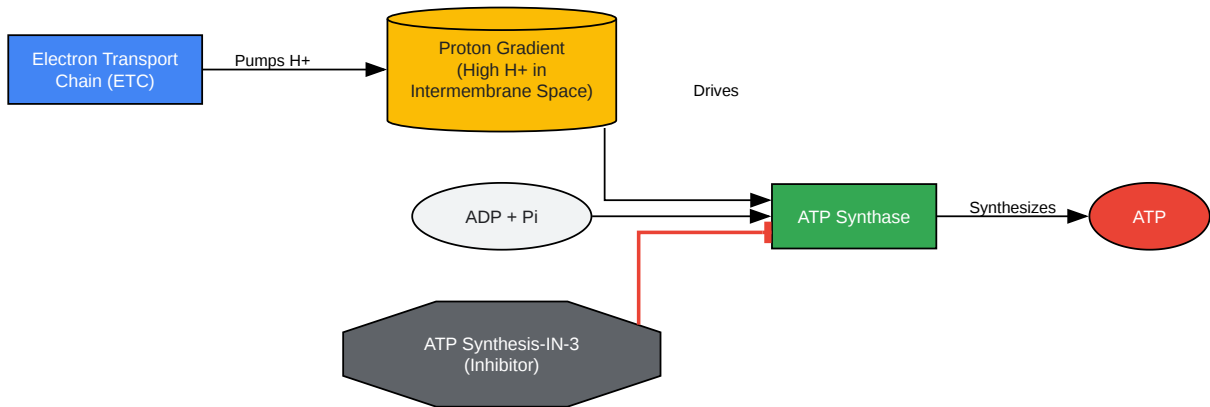
- Cell Seeding: Plate cells in a black, clear-bottom 96-well plate and allow them to adhere overnight.
- Compound Treatment: Treat cells with your test compound (e.g., **ATP Synthesis-IN-3**) for the desired duration. Include wells for untreated controls and a positive control for depolarization (e.g., 20 μ M FCCP).
- JC-1 Staining Solution Preparation: Prepare a working solution of 1-10 μ M JC-1 in pre-warmed cell culture medium. The optimal concentration should be determined for each cell type.
- Staining: Remove the compound-containing medium and add the JC-1 staining solution to each well.
- Incubation: Incubate the plate for 15-30 minutes at 37°C, protected from light.
- Washing: Gently wash the cells with pre-warmed assay buffer (e.g., PBS).
- Fluorescence Measurement: Immediately read the fluorescence using a plate reader.
 - Green Monomers: Excitation ~485 nm / Emission ~535 nm.
 - Red Aggregates: Excitation ~540-550 nm / Emission ~570-600 nm.
- Data Analysis: Analyze the data by calculating the ratio of red to green fluorescence intensity. A decrease in this ratio indicates mitochondrial depolarization.

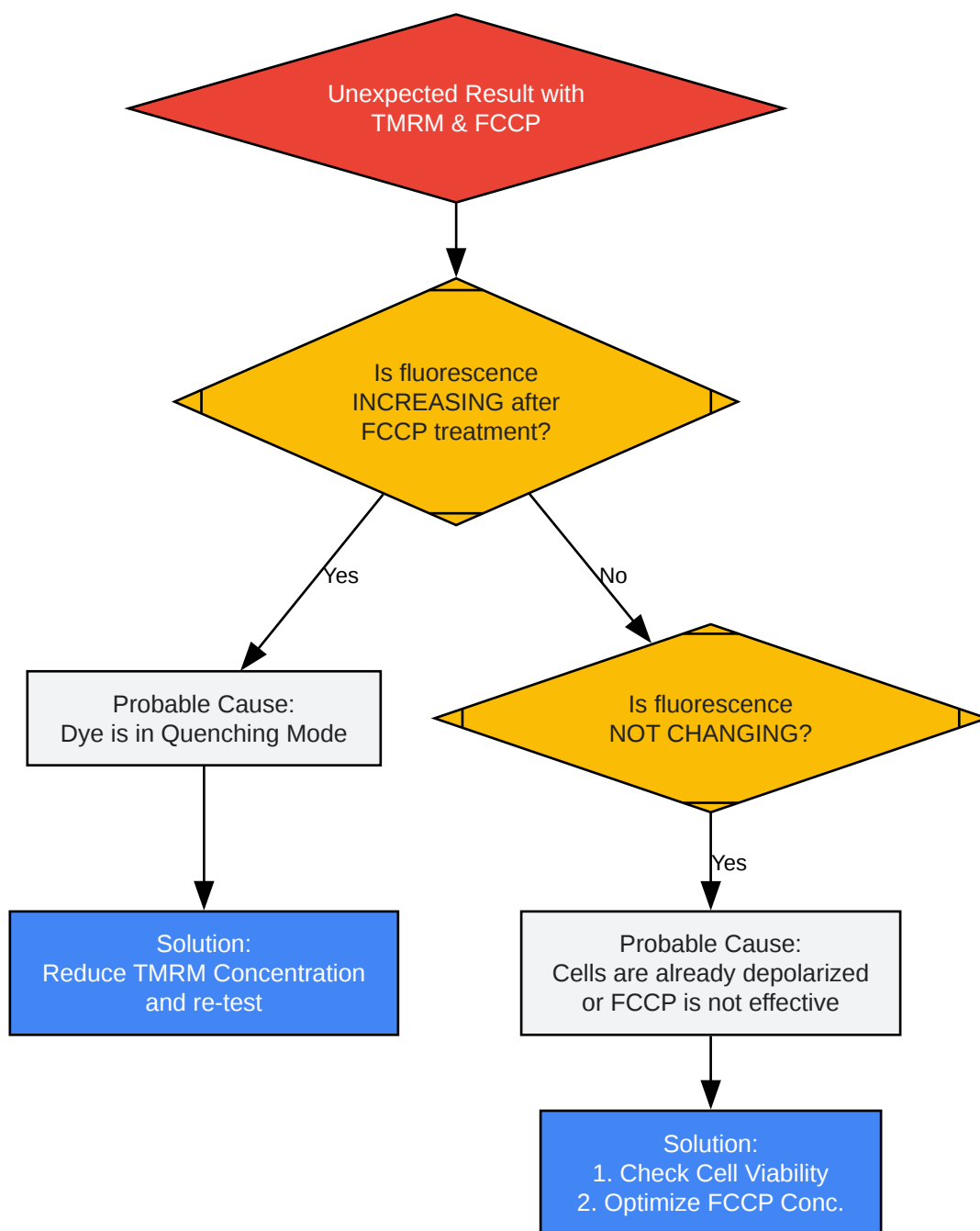
Protocol 2: Measuring $\Delta\Psi_m$ using TMRM with Fluorescence Microscopy

- Cell Seeding: Plate cells on glass-bottom dishes or coverslips and allow them to adhere overnight.

- **Compound Treatment:** Treat cells with your test compound as required.
- **TMRM Staining Solution Preparation:** Prepare a working solution of 50-200 nM TMRM in pre-warmed complete medium.
- **Staining:** Remove the existing medium, add the TMRM staining solution, and incubate for 20-30 minutes at 37°C.
- **Washing:** Gently wash the cells three times with pre-warmed PBS.
- **Imaging:** Add fresh pre-warmed medium or PBS to the cells and immediately acquire images using a fluorescence microscope with a TRITC or similar filter set (Ex/Em = ~548/573 nm).
- **Data Analysis:** Quantify the fluorescence intensity of the mitochondria in treated versus control cells. A decrease in intensity indicates depolarization.

Visualizations





[Click to download full resolution via product page](#)

Need Custom Synthesis?

BenchChem offers custom synthesis for rare earth carbides and specific isotopic labeling.

Email: info@benchchem.com or [Request Quote Online](#).

References

- [1. byjus.com \[byjus.com\]](#)
- [2. microbenotes.com \[microbenotes.com\]](#)
- [3. ATP: Synthesis, Breakdown and Cycles - Creative Proteomics \[creative-proteomics.com\]](#)
- [4. youtube.com \[youtube.com\]](#)
- [5. Mitochondrial Membrane Potential Assay - PMC \[pmc.ncbi.nlm.nih.gov\]](#)
- To cite this document: BenchChem. [Technical Support Center: Investigating Mitochondrial Membrane Potential]. BenchChem, [2026]. [Online PDF]. Available at: [\[https://www.benchchem.com/product/b12368787/docs#technical-support-center-investigating-mitochondrial-membrane-potential\]](https://www.benchchem.com/product/b12368787/docs#technical-support-center-investigating-mitochondrial-membrane-potential)

Disclaimer & Data Validity:

The information provided in this document is for Research Use Only (RUO) and is strictly not intended for diagnostic or therapeutic procedures. While BenchChem strives to provide accurate protocols, we make no warranties, express or implied, regarding the fitness of this product for every specific experimental setup.

Technical Support: The protocols provided are for reference purposes. Unsure if this reagent suits your experiment?

Need Industrial/Bulk Grade? [Request Custom Synthesis Quote](#)

BenchChem

Our mission is to be the trusted global source of essential and advanced chemicals, empowering scientists and researchers to drive progress in science and industry.

Contact

Address: 3281 E Guasti Rd
Ontario, CA 91761, United States
Phone: (601) 213-4426
Email: info@benchchem.com

Contact our Ph.D. Support Team for a compatibility check