

# Optimizing Maleimide-Thiol Reactions: A Detailed Guide to pH and Temperature Control

**Author:** BenchChem Technical Support Team. **Date:** April 2026

## Compound of Interest

Compound Name: (R)-TCO4-PEG2-Maleimide

Cat. No.: B12365118

[Get Quote](#)

Application Notes and Protocols for Researchers, Scientists, and Drug Development Professionals

The maleimide-thiol reaction is a cornerstone of bioconjugation chemistry, prized for its high selectivity and efficiency in forming stable thioether bonds under mild conditions. This Michael addition reaction is widely employed in drug development, proteomics, and material science for applications such as antibody-drug conjugate (ADC) production, protein labeling, and hydrogel formation. However, the success of this conjugation is critically dependent on precise control of experimental parameters, primarily pH and temperature. This document provides a comprehensive guide to understanding and optimizing these conditions to maximize reaction yield and minimize side reactions.

## The Critical Role of pH in Maleimide-Thiol Conjugation

The pH of the reaction buffer is the most influential factor governing the rate and specificity of the maleimide-thiol reaction. The reaction proceeds via the nucleophilic attack of a thiolate anion on the electron-deficient double bond of the maleimide ring. Therefore, the pH must be

high enough to facilitate the deprotonation of the thiol group (pKa typically 8-9) to the more reactive thiolate, yet low enough to prevent undesirable side reactions.

The optimal pH range for the maleimide-thiol reaction is generally considered to be 6.5 to 7.5. [1][2][3] Within this window, the reaction is highly chemoselective for thiols.[2] At a pH of 7.0, the reaction rate with thiols is approximately 1,000 times faster than with amines.[2][3]

Key Considerations for pH Selection:

- Below pH 6.5: The concentration of the reactive thiolate anion is significantly reduced, leading to a sluggish reaction rate.[1][3]
- Above pH 7.5: The reaction rate increases, but this comes at the cost of decreased selectivity.[1] Two major side reactions become prominent:
  - Reaction with Amines: Primary amines, such as the  $\epsilon$ -amino group of lysine residues, become deprotonated and can compete with thiols in reacting with the maleimide.[2]
  - Maleimide Hydrolysis: The maleimide ring becomes increasingly susceptible to hydrolysis, opening to form a non-reactive maleamic acid derivative.[2][4] This inactivation of the maleimide is a significant concern at alkaline pH.

The following table summarizes the effect of pH on the maleimide-thiol reaction:

pH Range	Reaction Rate with Thiols	Selectivity for Thiols	Competing Reactions
< 6.5	Slow	High	-
6.5 - 7.5	Optimal	High	Minimal
> 7.5	Fast	Decreased	Amine reaction, Maleimide hydrolysis[1]

## The Influence of Temperature on Reaction Kinetics

Temperature is another key parameter that modulates the rate of the maleimide-thiol reaction. As with most chemical reactions, higher temperatures lead to faster reaction rates. However, for biomolecules, the thermal stability of the reactants must be a primary consideration.

Commonly Employed Temperature Conditions:

- Room Temperature (20-25°C): This is the most common condition, typically allowing for reaction completion within 30 minutes to 2 hours.[1]
- 4°C: For thermally sensitive proteins or other biomolecules, performing the reaction at 4°C can minimize degradation.[1] However, the reaction rate is significantly slower, often requiring overnight incubation (8-16 hours) to achieve high conjugation efficiency.[1]
- 37°C: While this temperature can further accelerate the reaction, with completion possible in as little as 30 minutes, it may not be suitable for all biomolecules due to the increased risk of denaturation.[1][5]

The table below outlines typical reaction times at different temperatures:

Temperature	Typical Reaction Time	Notes
4°C	Overnight (8-16 hours)	Recommended for sensitive proteins to minimize degradation.[1]
Room Temperature (20-25°C)	30 minutes - 2 hours	Offers a good balance of reaction speed and stability for many biomolecules.[1]
37°C	~30 minutes	Can be used to accelerate the reaction, but thermal stability of reactants must be considered. [1]

## Experimental Protocols

## General Protocol for Protein Labeling with a Maleimide-Functionalized Molecule

This protocol provides a general framework for the conjugation of a maleimide-containing molecule to a thiol-containing protein. Optimization of molar ratios and incubation times is recommended for each specific application.

### Materials:

- Thiol-containing protein
- Maleimide-functionalized molecule
- Reaction Buffer: Phosphate-buffered saline (PBS), Tris, or HEPES at a concentration of 10-100 mM, pH 6.5-7.5.[1][6][7] Ensure the buffer is free of any thiol-containing compounds.[1]
- Reducing Agent (optional): Tris(2-carboxyethyl)phosphine (TCEP) for the reduction of disulfide bonds.[1][7]
- Quenching Reagent (optional): Low molecular weight thiol such as L-cysteine or  $\beta$ -mercaptoethanol.
- Purification system: Size-exclusion chromatography (e.g., Sephadex G-25) or dialysis.[6]

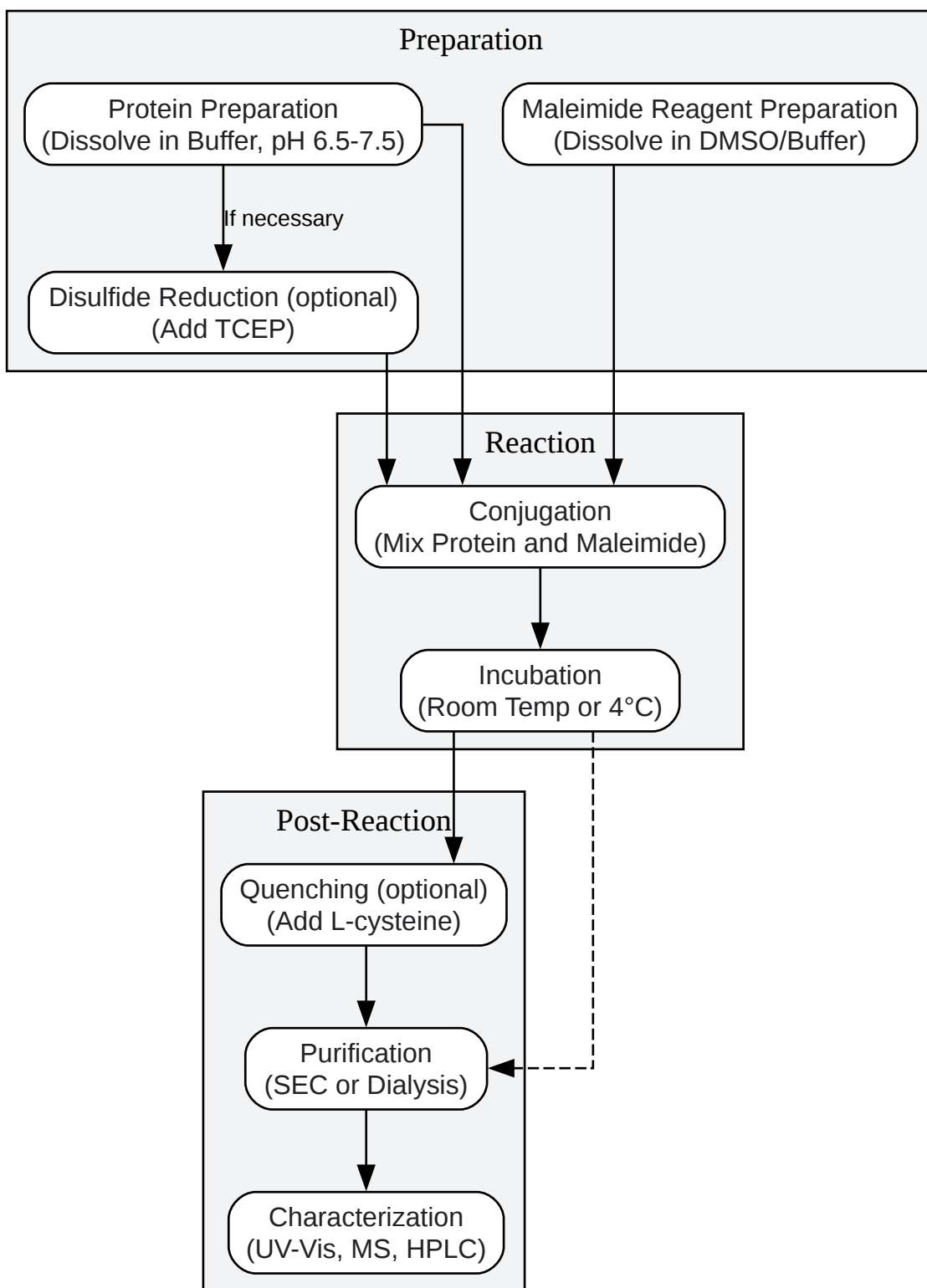
### Procedure:

- Protein Preparation:
  - Dissolve the thiol-containing protein in the reaction buffer to a concentration of 1-10 mg/mL.[8][9]
  - If the protein contains disulfide bonds that need to be reduced to generate free thiols, add a 10-100 fold molar excess of TCEP and incubate for 30-60 minutes at room temperature. [9][10] TCEP is recommended as it does not contain a thiol group and does not need to be removed prior to the addition of the maleimide reagent.[6]
- Maleimide Reagent Preparation:

- Immediately before use, dissolve the maleimide-functionalized molecule in a minimal amount of a water-miscible organic solvent such as DMSO or DMF, and then dilute with the reaction buffer.[\[7\]](#)[\[10\]](#)
- Conjugation Reaction:
  - Add the maleimide solution to the protein solution. A 10-20 fold molar excess of the maleimide reagent is a common starting point for protein labeling.[\[3\]](#)[\[7\]](#)
  - Incubate the reaction mixture at the desired temperature (e.g., room temperature for 1-2 hours or 4°C overnight) with gentle stirring.[\[1\]](#)[\[10\]](#)
- Quenching (Optional):
  - To stop the reaction and consume any unreacted maleimide, add a low molecular weight thiol (e.g., L-cysteine) in slight excess to the maleimide.
- Purification:
  - Remove the excess unreacted maleimide reagent and other small molecules from the conjugated protein using size-exclusion chromatography or dialysis.[\[6\]](#)
- Characterization:
  - Confirm the success of the conjugation and determine the degree of labeling using techniques such as UV-Vis spectroscopy, mass spectrometry (MS), or HPLC.

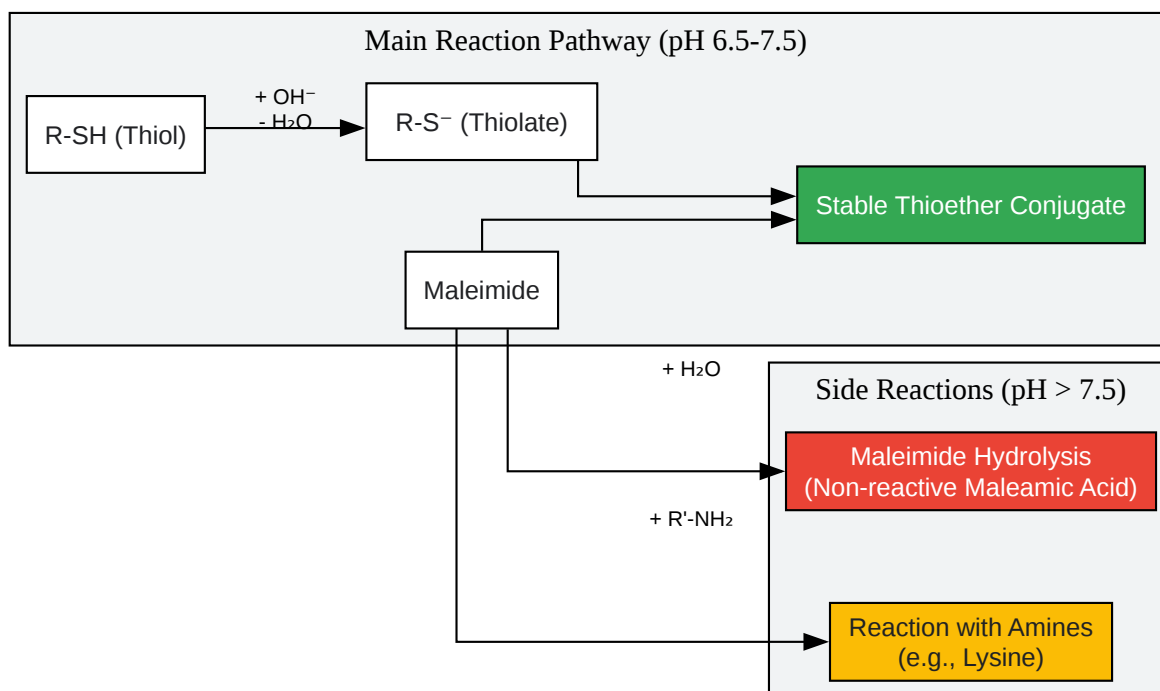
## Visualizing the Workflow and Reaction Mechanism

To aid in the understanding of the experimental process and the underlying chemistry, the following diagrams have been generated.



[Click to download full resolution via product page](#)

Caption: Experimental workflow for maleimide-thiol conjugation.



[Click to download full resolution via product page](#)

Caption: Maleimide-thiol reaction and potential side reactions.

## Conclusion

The successful application of maleimide-thiol chemistry hinges on the careful control of pH and temperature. By maintaining a pH between 6.5 and 7.5, researchers can ensure high selectivity for the desired thiol-maleimide reaction while minimizing competing side reactions. The choice of reaction temperature provides a means to balance reaction kinetics with the stability of the biological molecules involved. The protocols and guidelines presented here offer a robust starting point for the development and optimization of conjugation strategies, enabling the efficient and reliable formation of well-defined bioconjugates for a wide array of scientific and therapeutic applications.

### Need Custom Synthesis?

BenchChem offers custom synthesis for rare earth carbides and specific isotopic labeling.

Email: [info@benchchem.com](mailto:info@benchchem.com) or [Request Quote Online](#).

## References

- [1. benchchem.com \[benchchem.com\]](#)
- [2. vectorlabs.com \[vectorlabs.com\]](#)
- [3. benchchem.com \[benchchem.com\]](#)
- [4. dspace.library.uu.nl \[dspace.library.uu.nl\]](#)
- [5. researchgate.net \[researchgate.net\]](#)
- [6. Thiol-Reactive Probe Labeling Protocol | Thermo Fisher Scientific - HK \[thermofisher.com\]](#)
- [7. alfa-chemistry.com \[alfa-chemistry.com\]](#)
- [8. lumiprobe.com \[lumiprobe.com\]](#)
- [9. Conjugation Protocol for Maleimide Dyes | Tocris Bioscience \[tocris.com\]](#)
- [10. benchchem.com \[benchchem.com\]](#)
- To cite this document: BenchChem. [Optimizing Maleimide-Thiol Reactions: A Detailed Guide to pH and Temperature Control]. BenchChem, [2026]. [Online PDF]. Available at: [\[https://www.benchchem.com/product/b12365118/docs#optimizing-maleimide-thiol-reactions-a-detailed-guide-to-ph-and-temperature-control\]](https://www.benchchem.com/product/b12365118/docs#optimizing-maleimide-thiol-reactions-a-detailed-guide-to-ph-and-temperature-control)

---

### Disclaimer & Data Validity:

The information provided in this document is for Research Use Only (RUO) and is strictly not intended for diagnostic or therapeutic procedures. While BenchChem strives to provide accurate protocols, we make no warranties, express or implied, regarding the fitness of this product for every specific experimental setup.

**Technical Support:** The protocols provided are for reference purposes. Unsure if this reagent suits your experiment?

**Need Industrial/Bulk Grade?** [Request Custom Synthesis Quote](#)

# BenchChem

Our mission is to be the trusted global source of essential and advanced chemicals, empowering scientists and researchers to drive progress in science and industry.

## Contact

Address: 3281 E Guasti Rd

Ontario, CA 91761, United States

Phone: (601) 213-4426

Email: [info@benchchem.com](mailto:info@benchchem.com)

[Contact our Ph.D. Support Team for a compatibility check](#)