

Application Notes: Advanced Glycation End-Product (AGE) Inhibition Assay

Author: BenchChem Technical Support Team. **Date:** April 2026

Compound of Interest

Compound Name: *1-Deoxy-1-morpholino-D-fructose*

CAS No.: 6291-16-3

Cat. No.: B1236783

[Get Quote](#)

For Researchers, Scientists, and Drug Development Professionals

Introduction

Advanced Glycation End-products (AGEs) are a heterogeneous group of molecules formed from the non-enzymatic reaction between reducing sugars and the free amino groups of proteins, lipids, and nucleic acids.[1] This process, known as the Maillard reaction, is a key factor in the pathology of aging and various diseases, particularly diabetes mellitus and its complications like retinopathy, nephropathy, and cardiovascular diseases.[2][3] The accumulation of AGEs can alter the structure and function of proteins, leading to cellular dysfunction and tissue damage.[1] Consequently, the inhibition of AGE formation is a promising therapeutic strategy, and robust in vitro assays are crucial for the discovery and development of novel AGE inhibitors.

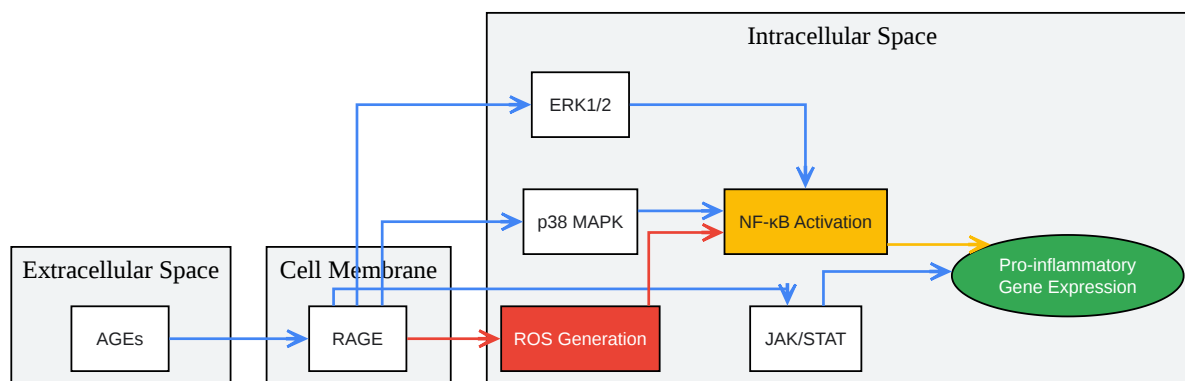
This document provides a detailed protocol for a fluorescence-based in vitro assay to screen and characterize compounds for their ability to inhibit the formation of AGEs.

Principle of the Assay

The assay is based on the formation of fluorescent AGEs from the reaction of a protein (Bovine Serum Albumin, BSA) and a reducing sugar (such as glucose, fructose, or ribose) or a reactive dicarbonyl species like methylglyoxal (MGO).[3][4] Potential inhibitors are incubated with the reactants, and the reduction in the characteristic fluorescence of AGEs is measured to determine the inhibitory activity of the test compound. Aminoguanidine, a known inhibitor of AGE formation, is typically used as a positive control.[5][6]

Key Signaling Pathways Activated by AGEs

AGEs exert their pathological effects primarily through interaction with the Receptor for Advanced Glycation End-products (RAGE).[7][8] This interaction triggers a cascade of intracellular signaling pathways, leading to inflammation, oxidative stress, and apoptosis.[8][9] Key pathways activated include NF- κ B, MAPKs (p38, ERK1/2), and JAK/STAT, which collectively upregulate the expression of pro-inflammatory cytokines and adhesion molecules.[7][8][10]



[Click to download full resolution via product page](#)

Caption: AGE-RAGE signaling cascade.

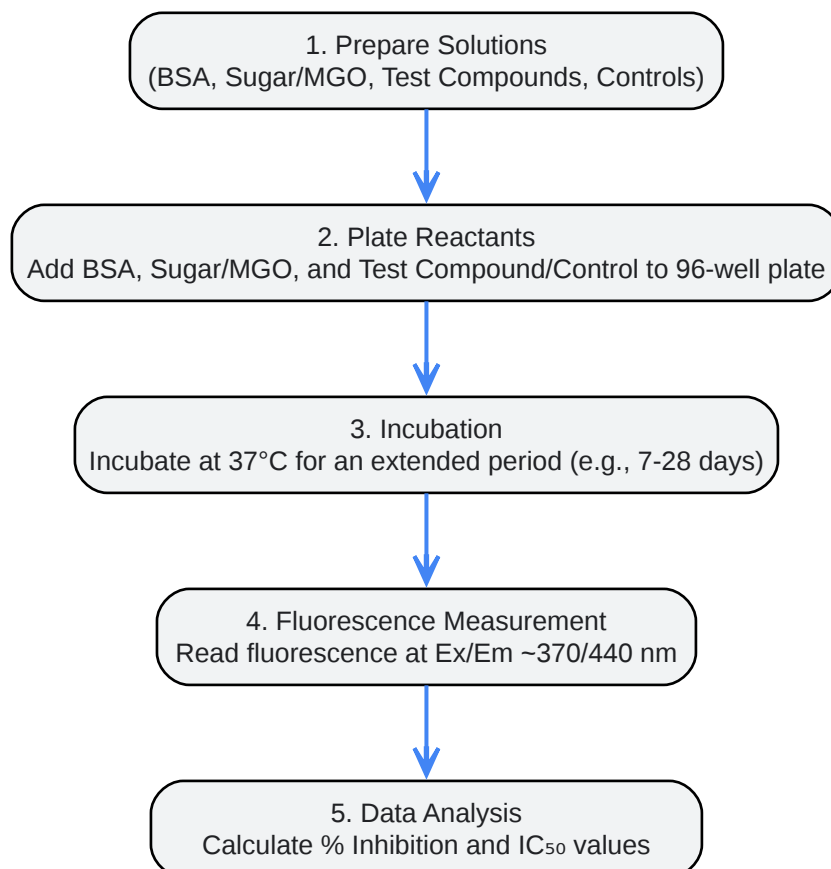
Experimental Protocols

Materials and Reagents

- Bovine Serum Albumin (BSA), fatty acid-free
- Reducing sugar (e.g., D-Glucose, D-Ribose) or Methylglyoxal (MGO)
- Phosphate Buffered Saline (PBS), pH 7.4
- Test compounds (potential inhibitors)
- Aminoguanidine hydrochloride (Positive Control)
- Sodium Azide (NaN_3)
- 96-well black, clear-bottom microplates
- Fluorescence microplate reader

Experimental Workflow

The following diagram outlines the general workflow for the AGE inhibition assay.



[Click to download full resolution via product page](#)

Caption: AGE inhibition assay workflow.

Detailed Protocol: BSA-Glucose/MGO Assay

This protocol describes a common fluorescence-based method for assessing AGE inhibition.^[3]
^[4]^[11]

1. Preparation of Reagents:

- BSA Solution: Prepare a 10-20 mg/mL solution of BSA in 0.1 M PBS (pH 7.4).^[2]^[3]
- Glycating Agent Solution:
 - For the BSA-Glucose model, prepare a 0.5 M D-Glucose solution in 0.1 M PBS.^[11]
 - For the BSA-MGO model, prepare a 60 mM Methylglyoxal solution in 0.1 M PBS.^[3]
- Test Compound Solutions: Prepare stock solutions of test compounds in a suitable solvent (e.g., DMSO, PBS) and make serial dilutions to achieve the desired final concentrations for the assay.
- Positive Control: Prepare a stock solution of Aminoguanidine hydrochloride in 0.1 M PBS. A typical final concentration used is 1 mM.^[3]
- Preservative: Add Sodium Azide to the PBS to a final concentration of 0.02% to prevent microbial growth.^[2]^[11]

2. Assay Procedure:

- In a 96-well black, clear-bottom microplate, set up the following reactions in triplicate (total volume of 200 μ L per well is common):
 - Blank (BSA only): BSA solution + PBS.
 - Negative Control (Maximum AGEs): BSA solution + Glycating Agent solution + Solvent (used for test compounds).

- Positive Control: BSA solution + Glycating Agent solution + Aminoguanidine solution.
- Test Samples: BSA solution + Glycating Agent solution + Test Compound solution (at various concentrations).
- Seal the plate to prevent evaporation and incubate at 37°C. The incubation period can vary from 24 hours to several weeks depending on the glycating agent used (MGO reactions are faster than glucose).^{[2][3][11]} For glucose-based assays, incubation times of 7 to 28 days are common.^{[2][12]}
- After incubation, measure the fluorescence intensity using a microplate reader. The typical excitation and emission wavelengths for fluorescent AGEs are approximately 370 nm and 440 nm, respectively.^{[3][11][13]}

3. Data Analysis:

Calculate the percentage of inhibition of AGE formation for each test compound concentration using the following formula:

$$\% \text{ Inhibition} = [1 - (\text{Fluorescence of Test Sample} - \text{Fluorescence of Blank}) / (\text{Fluorescence of Negative Control} - \text{Fluorescence of Blank})] \times 100$$
^[3]

Plot the % inhibition against the concentration of the test compound to determine the IC₅₀ value (the concentration of the inhibitor that causes 50% inhibition of AGE formation).^[5]

Data Presentation

The results of the AGE inhibition assay can be effectively summarized in tables for clear comparison of the inhibitory activities of different compounds.

Table 1: Example Data from AGE Inhibition Assay

Compound	Concentration (μM)	Mean Fluorescence (AU)	% Inhibition
Blank (BSA only)	-	55.2	-
Negative Control	-	485.6	0%
Aminoguanidine	1000	182.4	70.4%
Test Compound A	10	421.8	14.8%
Test Compound A	50	315.7	39.5%
Test Compound A	100	240.1	57.0%
Test Compound B	10	450.3	8.2%
Test Compound B	50	398.9	20.1%
Test Compound B	100	355.2	30.3%

Table 2: Comparative IC₅₀ Values for Test Compounds

Compound	IC ₅₀ (μM)
Aminoguanidine	~850
Test Compound A	87.5
Test Compound B	>150

Alternative and Complementary Assays

While the fluorescence-based assay is excellent for high-throughput screening, other methods can provide more specific quantification of AGEs:

- **Competitive ELISA:** Enzyme-Linked Immunosorbent Assays using specific antibodies can quantify particular AGEs, such as N ϵ -(carboxymethyl)lysine (CML).^{[1][13]} This method is highly sensitive and specific.

- High-Performance Liquid Chromatography (HPLC) and Mass Spectrometry (MS): These chromatographic techniques, particularly LC-MS/MS, offer high accuracy and resolution for the identification and quantification of various AGEs in a sample.[13][14][15]

These advanced methods are often used to confirm hits from initial fluorescence-based screening and to further elucidate the mechanism of inhibition.

References

- 1. [benchchem.com](https://www.benchchem.com) [[benchchem.com](https://www.benchchem.com)]
- 2. [Frontiers | Inhibition effect of AGEs formation in vitro by the two novel peptides EDYGA and DLLCIC derived from Pelodiscus sinensis](#) [[frontiersin.org](https://www.frontiersin.org)]
- 3. [Inhibition of Advanced Glycation End-Product Formation by Origanum majorana L. In Vitro and in Streptozotocin-Induced Diabetic Rats - PMC](#) [[pmc.ncbi.nlm.nih.gov](https://pubmed.ncbi.nlm.nih.gov)]
- 4. [Inhibition of Advanced Glycation End-Product Formation by High Antioxidant-Levelled Spices Commonly Used in European Cuisine - PMC](#) [[pmc.ncbi.nlm.nih.gov](https://pubmed.ncbi.nlm.nih.gov)]
- 5. [mdpi.com](https://www.mdpi.com) [[mdpi.com](https://www.mdpi.com)]
- 6. [Chelation: A Fundamental Mechanism of Action of AGE Inhibitors, AGE Breakers, and Other Inhibitors of Diabetes Complications - PMC](#) [[pmc.ncbi.nlm.nih.gov](https://pubmed.ncbi.nlm.nih.gov)]
- 7. [mdpi.com](https://www.mdpi.com) [[mdpi.com](https://www.mdpi.com)]
- 8. [tandfonline.com](https://www.tandfonline.com) [[tandfonline.com](https://www.tandfonline.com)]
- 9. [Redox Signaling and Advanced Glycation Endproducts \(AGEs\) in Diet-Related Diseases - PMC](#) [[pmc.ncbi.nlm.nih.gov](https://pubmed.ncbi.nlm.nih.gov)]
- 10. [researchgate.net](https://www.researchgate.net) [[researchgate.net](https://www.researchgate.net)]
- 11. [Tuning a 96-Well Microtiter Plate Fluorescence-Based Assay to Identify AGE Inhibitors in Crude Plant Extracts - PMC](#) [[pmc.ncbi.nlm.nih.gov](https://pubmed.ncbi.nlm.nih.gov)]
- 12. [Inhibition of advanced glycation end product formation and serum protein infiltration in bioprosthetic heart valve leaflets: Investigations of anti-glycation agents and anticalcification interactions with ethanol pretreatment - PMC](#) [[pmc.ncbi.nlm.nih.gov](https://pubmed.ncbi.nlm.nih.gov)]
- 13. [Advanced Glycation End Products \(AGEs\): Biochemistry, Signaling, Analytical Methods, and Epigenetic Effects - PMC](#) [[pmc.ncbi.nlm.nih.gov](https://pubmed.ncbi.nlm.nih.gov)]

- [14. Quantification of advanced glycation end products and amino acid cross-links in foods by high-resolution mass spectrometry: Applicability of acid hydrolysis - PubMed](#) [pubmed.ncbi.nlm.nih.gov]
- [15. mdpi.com](#) [mdpi.com]
- To cite this document: BenchChem. [Application Notes: Advanced Glycation End-Product (AGE) Inhibition Assay]. BenchChem, [2026]. [Online PDF]. Available at: [https://www.benchchem.com/product/b1236783/docs#application-notes-advanced-glycation-end-product-age-inhibition-assay]

Disclaimer & Data Validity:

The information provided in this document is for Research Use Only (RUO) and is strictly not intended for diagnostic or therapeutic procedures. While BenchChem strives to provide accurate protocols, we make no warranties, express or implied, regarding the fitness of this product for every specific experimental setup.

Technical Support: The protocols provided are for reference purposes. Unsure if this reagent suits your experiment?

Need Industrial/Bulk Grade? [Request Custom Synthesis Quote](#)

BenchChem

Our mission is to be the trusted global source of essential and advanced chemicals, empowering scientists and researchers to drive progress in science and industry.

Contact

Address: 3281 E Guasti Rd
Ontario, CA 91761, United States
Phone: (601) 213-4426
Email: info@benchchem.com

[Contact our Ph.D. Support Team for a compatibility check](#)

