

Application Notes and Protocols for AMD 3465 in Cancer Research

Author: BenchChem Technical Support Team. **Date:** April 2026

Compound of Interest

Compound Name:	AMD 3465
CAS No.:	185991-07-5
Cat. No.:	B12355491

[Get Quote](#)

For Researchers, Scientists, and Drug Development Professionals

Introduction

AMD 3465 is a potent and specific, non-peptide antagonist of the C-X-C chemokine receptor type 4 (CXCR4). The CXCR4 receptor, and its ligand CXCL12 (also known as SDF-1), play a crucial role in cancer progression. The CXCL12/CXCR4 signaling axis is implicated in tumor growth, proliferation, angiogenesis, metastasis, and the interaction of cancer cells with their microenvironment.[1] Consequently, targeting this axis with antagonists like **AMD 3465** presents a promising therapeutic strategy in oncology. These application notes provide detailed protocols for in vitro assays to evaluate the efficacy of **AMD 3465** in cancer research.

Mechanism of Action

AMD 3465 functions by directly binding to the CXCR4 receptor, thereby blocking the binding of its cognate ligand, CXCL12.[2][3] This inhibition disrupts the downstream signaling cascades that are activated by the CXCL12/CXCR4 interaction. In cancer cells, this disruption leads to the modulation of several oncogenic signaling pathways, including the inactivation of STAT3, JAK2, and AKT, and a reduction in the expression of cMYC and GSK3.[2][4] By interfering with

these pathways, **AMD 3465** can inhibit cancer cell invasion, and reduce tumor growth and metastasis.[2][5]

Data Presentation

The following tables summarize the quantitative effects of **AMD 3465** in various in vitro functional assays.

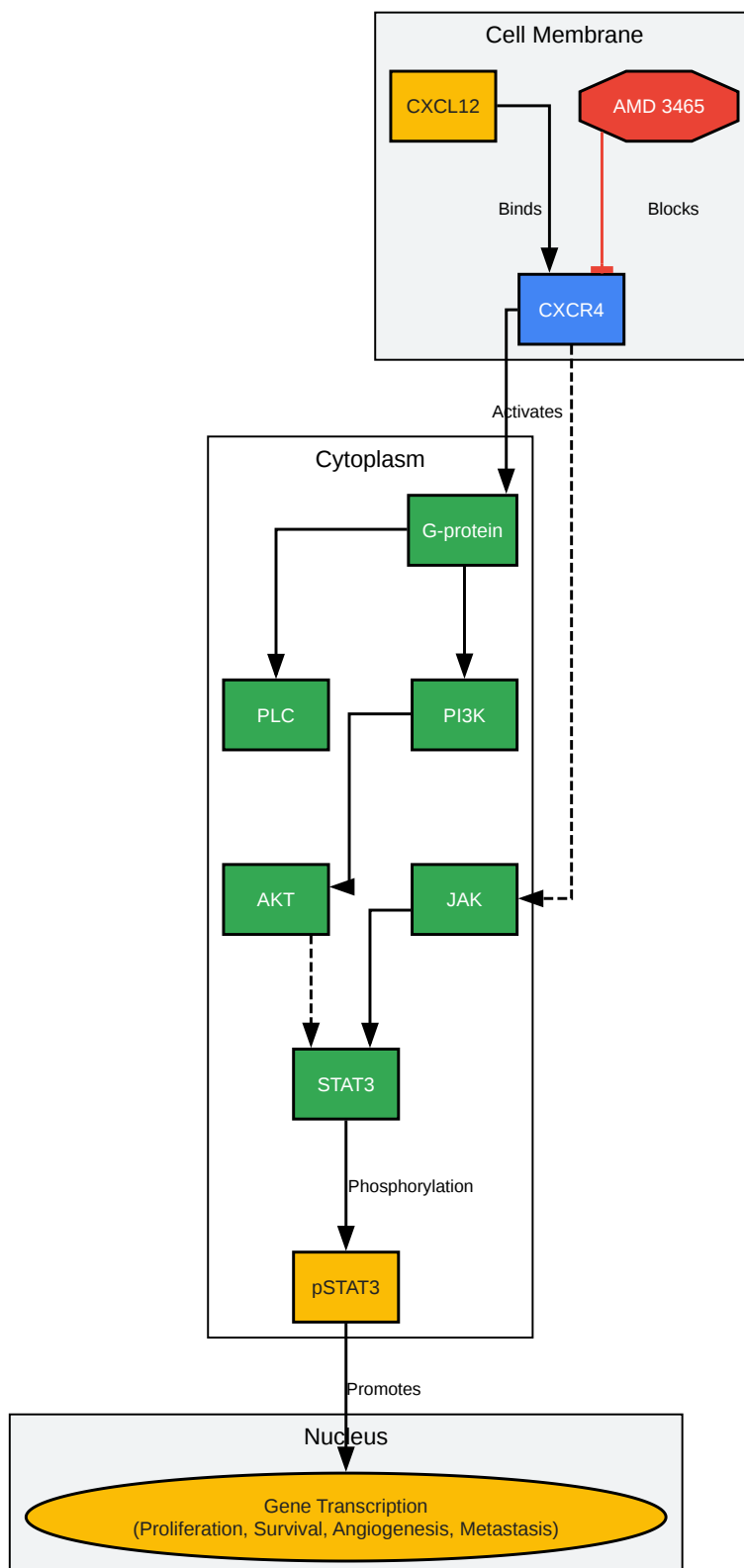
Cell Line	Assay Type	Parameter	Value	Reference
CCRF-CEM (T-cell leukemia)	Ligand Binding	Ki	41.7 ± 1.2 nM	[6]
CCRF-CEM (T-cell leukemia)	GTP Binding	IC50	10.38 ± 1.99 nM	[6]
CCRF-CEM (T-cell leukemia)	Calcium Flux	IC50	12.07 ± 2.42 nM	[6]
CCRF-CEM (T-cell leukemia)	Chemotaxis	IC50	8.7 ± 1.2 nM	[6]

Table 1: In Vitro Functional Activity of **AMD 3465** in a T-cell Leukemia Line.

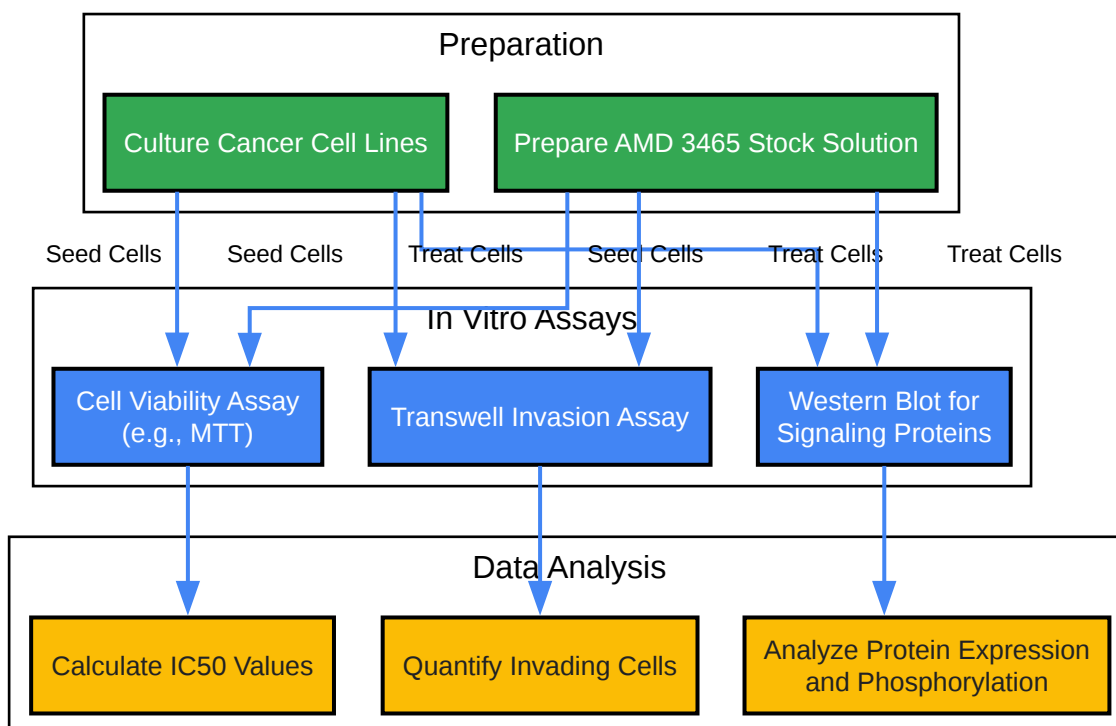
Cell Line	Assay Type	Concentration	% Invasion Inhibition (relative to control)	Reference
4T1 (Murine Breast Cancer)	Matrigel Invasion	2.5 µM	Significant Inhibition	[2]
4T1 (Murine Breast Cancer)	Matrigel Invasion	5 µM	Significant Inhibition	[2]
4T1 (Murine Breast Cancer)	Matrigel Invasion	10 µM	Significant Inhibition	[2]

Table 2: Effect of **AMD 3465** on Breast Cancer Cell Invasion.

Signaling Pathway and Experimental Workflow



[Click to download full resolution via product page](#)

Caption: CXCR4 Signaling Pathway and Inhibition by **AMD 3465**.

[Click to download full resolution via product page](#)

Caption: General Experimental Workflow for **AMD 3465** In Vitro Assays.

Experimental Protocols

Cell Viability Assay (MTT Assay)

This protocol is for determining the effect of **AMD 3465** on the viability and proliferation of cancer cells.

Materials:

- Cancer cell line of interest
- Complete cell culture medium
- **AMD 3465**

- Sterile PBS
- MTT (3-(4,5-dimethylthiazol-2-yl)-2,5-diphenyltetrazolium bromide) solution (5 mg/mL in PBS)
- Solubilization solution (e.g., DMSO or 0.01 M HCl in 10% SDS)
- 96-well plates
- Multichannel pipette
- Microplate reader

Procedure:

- Cell Seeding:
 - Trypsinize and count cells.
 - Seed cells in a 96-well plate at a density of 5,000-10,000 cells/well in 100 μ L of complete medium.
 - Incubate overnight at 37°C in a humidified 5% CO₂ incubator to allow for cell attachment.
- **AMD 3465** Treatment:
 - Prepare serial dilutions of **AMD 3465** in complete medium at 2x the final desired concentrations.
 - Remove the medium from the wells and add 100 μ L of the diluted **AMD 3465** solutions. Include a vehicle control (medium with the same concentration of DMSO or other solvent used for **AMD 3465**).
 - Incubate for the desired time period (e.g., 24, 48, or 72 hours).
- MTT Addition and Incubation:
 - After the incubation period, add 10 μ L of MTT solution (5 mg/mL) to each well.

- Incubate for 3-4 hours at 37°C until purple formazan crystals are visible.
- Solubilization and Measurement:
 - Carefully remove the medium containing MTT.
 - Add 100 µL of solubilization solution to each well to dissolve the formazan crystals.
 - Incubate for 15 minutes at room temperature with gentle shaking.
 - Measure the absorbance at 570 nm using a microplate reader.
- Data Analysis:
 - Calculate the percentage of cell viability for each concentration relative to the vehicle control.
 - Plot the percentage of viability against the log of the **AMD 3465** concentration to determine the IC50 value.

Transwell Invasion Assay

This assay measures the ability of cancer cells to invade through a basement membrane matrix in response to a chemoattractant, and the inhibitory effect of **AMD 3465** on this process.

Materials:

- Cancer cell line of interest
- Serum-free cell culture medium
- Complete cell culture medium (as a chemoattractant)
- **AMD 3465**
- Transwell inserts (8 µm pore size) for 24-well plates
- Matrigel (or other basement membrane extract)

- Cotton swabs
- Methanol
- Crystal Violet staining solution
- Microscope

Procedure:

- Coating of Transwell Inserts:
 - Thaw Matrigel on ice.
 - Dilute Matrigel with cold, serum-free medium.
 - Add 50-100 μ L of the diluted Matrigel solution to the upper chamber of the transwell inserts.
 - Incubate for at least 2 hours at 37°C to allow the gel to solidify.
- Cell Seeding and Treatment:
 - Harvest and resuspend cells in serum-free medium to a concentration of 1×10^5 cells/mL.
 - Pre-treat the cells with various concentrations of **AMD 3465** or vehicle control for 30 minutes.
 - Add 200 μ L of the cell suspension to the upper chamber of the coated transwell inserts.
 - Add 500 μ L of complete medium (containing a chemoattractant like 10% FBS) to the lower chamber.
- Incubation:
 - Incubate the plate at 37°C in a humidified 5% CO₂ incubator for 24-48 hours.
- Staining and Quantification:

- After incubation, carefully remove the non-invading cells from the upper surface of the membrane with a cotton swab.
- Fix the invading cells on the lower surface of the membrane with methanol for 10 minutes.
- Stain the cells with Crystal Violet solution for 20 minutes.
- Gently wash the inserts with water and allow them to air dry.
- Count the number of stained, invading cells in several random fields of view under a microscope.
- Data Analysis:
 - Calculate the average number of invading cells per field for each treatment condition.
 - Express the data as a percentage of invasion relative to the vehicle control.

Western Blot Analysis for Signaling Pathway Proteins

This protocol is for analyzing the effect of **AMD 3465** on the expression and phosphorylation of key proteins in the CXCR4 signaling pathway.

Materials:

- Cancer cell line of interest
- Complete cell culture medium
- **AMD 3465**
- CXCL12 (optional, for stimulation)
- Lysis buffer (e.g., RIPA buffer) with protease and phosphatase inhibitors
- BCA protein assay kit
- SDS-PAGE gels

- Transfer buffer
- PVDF or nitrocellulose membranes
- Blocking buffer (e.g., 5% non-fat milk or BSA in TBST)
- Primary antibodies (e.g., anti-p-CXCR4, anti-CXCR4, anti-p-AKT, anti-AKT, anti-p-STAT3, anti-STAT3, anti- β -actin)
- HRP-conjugated secondary antibodies
- Chemiluminescent substrate
- Imaging system

Procedure:

- Cell Treatment and Lysis:
 - Seed cells in 6-well plates and grow to 70-80% confluency.
 - Treat cells with **AMD 3465** at the desired concentrations for the specified time. For studying inhibition of ligand-induced signaling, pre-treat with **AMD 3465** before stimulating with CXCL12.
 - Wash cells with cold PBS and lyse them with lysis buffer.
 - Centrifuge the lysates to pellet cell debris and collect the supernatant.
- Protein Quantification:
 - Determine the protein concentration of each lysate using a BCA assay.
- SDS-PAGE and Western Blotting:
 - Normalize protein amounts and prepare samples with Laemmli buffer.
 - Separate the proteins by SDS-PAGE.

- Transfer the separated proteins to a PVDF or nitrocellulose membrane.
- Immunoblotting:
 - Block the membrane with blocking buffer for 1 hour at room temperature.
 - Incubate the membrane with primary antibodies overnight at 4°C.
 - Wash the membrane with TBST.
 - Incubate with HRP-conjugated secondary antibodies for 1 hour at room temperature.
 - Wash the membrane again with TBST.
- Detection and Analysis:
 - Add the chemiluminescent substrate to the membrane.
 - Capture the signal using an imaging system.
 - Quantify the band intensities using image analysis software. Normalize the expression of target proteins to a loading control (e.g., β -actin). For phosphoproteins, normalize to the total protein expression.

Need Custom Synthesis?

BenchChem offers custom synthesis for rare earth carbides and specific isotopic labeling.

Email: info@benchchem.com or [Request Quote Online](#).

References

- [1. Frontiers | The Role of the CXCL12/CXCR4/CXCR7 Chemokine Axis in Cancer \[frontiersin.org\]](#)
- [2. The CXCR4 Antagonist AMD3465 Regulates Oncogenic Signaling and Invasiveness In Vitro and Prevents Breast Cancer Growth and Metastasis In Vivo - PMC \[pmc.ncbi.nlm.nih.gov\]](#)

- [3. The CXCR4 antagonist AMD3465 regulates oncogenic signaling and invasiveness in vitro and prevents breast cancer growth and metastasis in vivo - PubMed \[pubmed.ncbi.nlm.nih.gov\]](#)
- [4. Abstract #5226: The CXCR4 inhibitor AMD 3465 blocks breast cancer through Stat3 signaling | Cancer Research | American Association for Cancer Research \[aacrjournals.org\]](#)
- [5. The CXCR4 Antagonist AMD3465 Regulates Oncogenic Signaling and Invasiveness In Vitro and Prevents Breast Cancer Growth and Metastasis In Vivo | PLOS One \[journals.plos.org\]](#)
- [6. researchgate.net \[researchgate.net\]](#)
- To cite this document: BenchChem. [Application Notes and Protocols for AMD 3465 in Cancer Research]. BenchChem, [2026]. [Online PDF]. Available at: [\[https://www.benchchem.com/product/b12355491/docs#application-notes-and-protocols-for-amd-3465-in-cancer-research\]](https://www.benchchem.com/product/b12355491/docs#application-notes-and-protocols-for-amd-3465-in-cancer-research)

Disclaimer & Data Validity:

The information provided in this document is for Research Use Only (RUO) and is strictly not intended for diagnostic or therapeutic procedures. While BenchChem strives to provide accurate protocols, we make no warranties, express or implied, regarding the fitness of this product for every specific experimental setup.

Technical Support: The protocols provided are for reference purposes. Unsure if this reagent suits your experiment?

Need Industrial/Bulk Grade? [Request Custom Synthesis Quote](#)

BenchChem

Our mission is to be the trusted global source of essential and advanced chemicals, empowering scientists and researchers to drive progress in science and industry.

Contact

Address: 3281 E Guasti Rd
Ontario, CA 91761, United States
Phone: (601) 213-4426
Email: info@benchchem.com

Contact our Ph.D. Support Team for a compatibility check