

Enhancing Experimental Reproducibility with Deseril: A Technical Support Center

Author: BenchChem Technical Support Team. **Date:** April 2026

Compound of Interest

Compound Name: *Deseril*
Cat. No.: *B1220282*

[Get Quote](#)

This technical support center provides researchers, scientists, and drug development professionals with comprehensive guidance on the use of **Deseril** (methysergide) in experimental settings. Our aim is to enhance reproducibility by providing detailed protocols, troubleshooting advice, and a deeper understanding of the compound's pharmacology.

Frequently Asked Questions (FAQs)

Q1: What is the primary mechanism of action of **Deseril**?

A1: **Deseril**, with the active ingredient methysergide, is a semi-synthetic ergot alkaloid.[1] It functions primarily as a serotonin (5-HT) receptor antagonist, particularly at the 5-HT_{2A}, 5-HT_{2B}, and 5-HT_{2C} receptors.[2][3] However, its pharmacological profile is complex, as it also exhibits partial agonist activity at other 5-HT receptors.[1]

Q2: Is **Deseril** a prodrug? How does this affect its activity?

A2: Yes, **Deseril** is a prodrug that is metabolized in the body to its major active metabolite, methylergonovine.[2] This metabolite has a different receptor binding profile than the parent compound and is a potent agonist at 5-HT_{1B} and 5-HT_{1D} receptors.[2] This dual antagonist and agonist profile can lead to complex and sometimes unexpected experimental outcomes.

Q3: What are the known off-target effects of **Deseril**?

A3: Due to its ergot alkaloid structure, **Deseril** and its metabolite can interact with a range of other receptors, including adrenergic and dopaminergic receptors.[3] These off-target effects can contribute to a lack of specificity in experiments and should be carefully considered when interpreting results.

Q4: Why has **Deseril** been withdrawn from some markets?

A4: **Deseril** has been withdrawn or its use restricted in several countries due to safety concerns, most notably the risk of retroperitoneal and pleuropulmonary fibrosis with long-term use.[1][4] While these effects are associated with chronic clinical use, researchers should be aware of the compound's potential toxicities.

Q5: How can I ensure the quality and purity of my **Deseril** compound?

A5: It is crucial to source **Deseril** from a reputable chemical supplier that provides a certificate of analysis (CoA) detailing the compound's purity and identity. Impurities or degradation of the compound can be a significant source of experimental variability.

Troubleshooting Guide

Issue 1: Unexpected or paradoxical results in my in vivo experiment.

- Potential Cause: The observed effect may be due to the in vivo conversion of **Deseril** to its active metabolite, methylergonovine, which has agonist properties at certain serotonin receptors.[2] Alternatively, off-target effects at adrenergic or dopaminergic receptors could be responsible.
- Troubleshooting Steps:
 - Conduct a dose-response study: The paradoxical effect might be dose-dependent. A thorough dose-response curve can help identify a therapeutic window where the desired on-target effect is observed.
 - Use a structurally different antagonist: To confirm that the primary observed effect is due to 5-HT2 receptor antagonism, repeat the experiment with a different, more selective 5-HT2

antagonist.

- Measure metabolite levels: If possible, use analytical techniques to measure the plasma or tissue concentrations of both methysergide and methylergonovine to correlate with the observed effects.

Issue 2: Lack of a discernible effect in my cell-based assay.

- Potential Cause: The cell line used may not express the target 5-HT receptor at a sufficient density. Alternatively, the incubation time or concentration of **Deseril** may be suboptimal.
- Troubleshooting Steps:
 - Confirm receptor expression: Use techniques like qPCR, Western blot, or immunocytochemistry to verify the expression of the target 5-HT receptor in your cell line.
 - Optimize experimental conditions: Perform a concentration-response curve and a time-course experiment to determine the optimal concentration and incubation time for **Deseril** in your specific assay.
 - Check compound stability: Ensure that **Deseril** is stable in your cell culture medium for the duration of the experiment.

Issue 3: High variability and poor reproducibility between experiments.

- Potential Cause: Inconsistent experimental protocols, variability in cell culture conditions (e.g., passage number, confluency), or instability of the **Deseril** solution can all contribute to poor reproducibility.
- Troubleshooting Steps:
 - Standardize protocols: Ensure that all experimental parameters, including cell seeding density, treatment times, and reagent concentrations, are kept consistent between experiments.
 - Prepare fresh solutions: Prepare **Deseril** solutions fresh for each experiment from a validated stock solution to avoid degradation.

- Implement quality control measures: Regularly check the health and viability of your cells and monitor the performance of your assays with appropriate positive and negative controls.

Data Presentation

Table 1: Receptor Binding Profile of **Deseril** (Methysergide) and its Active Metabolite (Methylergonovine)

Receptor	Deseril (Methysergide) Affinity (Ki, nM)	Deseril (Methysergide) Action	Methylergonovine Affinity (Ki, nM)	Methylergonovine Action
5-HT1A	1.8	Agonist	3.1	Agonist
5-HT1B	10	Antagonist	0.9	Agonist
5-HT1D	4.5	Antagonist	0.7	Agonist
5-HT2A	0.4	Antagonist	2.5	Antagonist
5-HT2B	1.2	Antagonist	1.1	Agonist
5-HT2C	0.9	Antagonist	5.0	Antagonist
Dopamine D2	3.5	Antagonist	8.0	Antagonist
Adrenergic α 1	2.0	Antagonist	6.3	Antagonist

Note: Ki values are approximate and can vary between different studies and experimental conditions. This table is a composite representation from multiple sources.

Experimental Protocols

Protocol 1: Competitive Radioligand Binding Assay for 5-HT2A Receptor

This protocol provides a method to determine the binding affinity of **Deseril** for the human 5-HT2A receptor.

Materials:

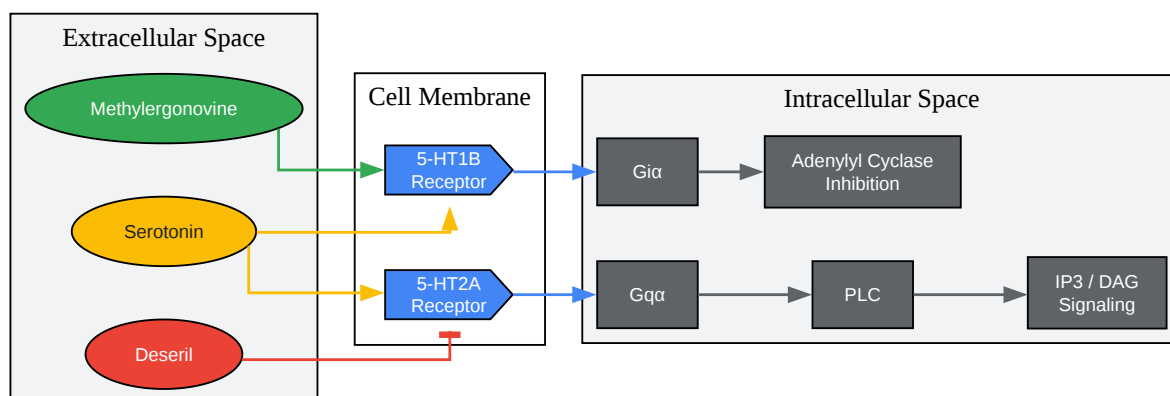
- HEK293 cells stably expressing the human 5-HT_{2A} receptor
- Membrane preparation buffer (50 mM Tris-HCl, pH 7.4)
- Assay buffer (50 mM Tris-HCl, 5 mM MgCl₂, 0.5 mM EDTA, 0.1% BSA, pH 7.4)
- [³H]-Ketanserin (radioligand)
- **Deseril** (methysergide)
- Non-specific binding control (e.g., Mianserin)
- Scintillation cocktail and vials
- Microplate harvester and filter mats
- Scintillation counter

Methodology:

- Membrane Preparation:
 - Culture HEK293-5HT_{2A} cells to ~90% confluency.
 - Harvest cells and homogenize in ice-cold membrane preparation buffer.
 - Centrifuge the homogenate at 48,000 x g for 20 minutes at 4°C.
 - Resuspend the membrane pellet in fresh membrane preparation buffer and determine the protein concentration using a BCA or Bradford assay.
 - Store membrane preparations at -80°C until use.
- Binding Assay:
 - Prepare serial dilutions of **Deseril** in assay buffer.
 - In a 96-well plate, add 50 µL of assay buffer (for total binding), 50 µL of non-specific binding control (10 µM Mianserin), or 50 µL of **Deseril** dilution.

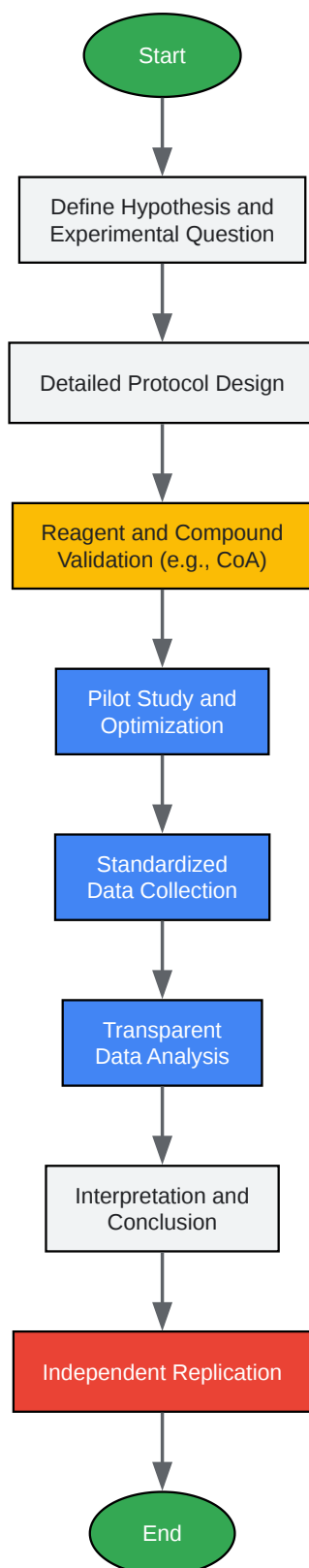
- Add 50 μL of [^3H]-Ketanserin (final concentration ~ 0.5 nM) to all wells.
- Add 100 μL of the membrane preparation (10-20 μg of protein) to all wells.
- Incubate the plate at room temperature for 60 minutes with gentle shaking.
- Harvesting and Counting:
 - Harvest the plate contents onto GF/B filter mats using a microplate harvester.
 - Wash the filters three times with ice-cold wash buffer (50 mM Tris-HCl, pH 7.4).
 - Dry the filter mats and place them in scintillation vials with 4 mL of scintillation cocktail.
 - Count the radioactivity in a scintillation counter.
- Data Analysis:
 - Calculate the specific binding by subtracting the non-specific binding from the total binding.
 - Plot the percentage of specific binding against the logarithm of the **Deseril** concentration.
 - Determine the IC₅₀ value (the concentration of **Deseril** that inhibits 50% of the specific binding of the radioligand) using non-linear regression analysis.
 - Calculate the K_i value using the Cheng-Prusoff equation: $K_i = \text{IC}_{50} / (1 + [\text{L}]/K_d)$, where [L] is the concentration of the radioligand and K_d is its dissociation constant.

Mandatory Visualization



[Click to download full resolution via product page](#)

Caption: Serotonin signaling and **Deseril's** dual action.



[Click to download full resolution via product page](#)

Caption: Workflow for enhancing experimental reproducibility.

Need Custom Synthesis?

BenchChem offers custom synthesis for rare earth carbides and specific isotopic labeling.

Email: info@benchchem.com or [Request Quote Online](#).

References

- [1. Methysergide - PubMed \[pubmed.ncbi.nlm.nih.gov\]](#)
- [2. Methysergide - Wikipedia \[en.wikipedia.org\]](#)
- [3. Methysergide | C₂₁H₂₇N₃O₂ | CID 9681 - PubChem \[pubchem.ncbi.nlm.nih.gov\]](#)
- [4. gov.uk \[gov.uk\]](#)
- To cite this document: BenchChem. [Enhancing Experimental Reproducibility with Deseril: A Technical Support Center]. BenchChem, [2026]. [Online PDF]. Available at: [\[https://www.benchchem.com/product/b1220282/docs#enhancing-experimental-reproducibility-with-deseril-a-technical-support-center\]](https://www.benchchem.com/product/b1220282/docs#enhancing-experimental-reproducibility-with-deseril-a-technical-support-center)

Disclaimer & Data Validity:

The information provided in this document is for Research Use Only (RUO) and is strictly not intended for diagnostic or therapeutic procedures. While BenchChem strives to provide accurate protocols, we make no warranties, express or implied, regarding the fitness of this product for every specific experimental setup.

Technical Support: The protocols provided are for reference purposes. Unsure if this reagent suits your experiment?

Need Industrial/Bulk Grade? [Request Custom Synthesis Quote](#)

BenchChem

Our mission is to be the trusted global source of essential and advanced chemicals, empowering scientists and researchers to drive progress in science and industry.

Contact

Address: 3281 E Guasti Rd

Ontario, CA 91761, United States

Phone: (601) 213-4426

Email: info@benchchem.com

[Contact our Ph.D. Support Team for a compatibility check](#)