

Technical Support Center: Troubleshooting (-)-cis-Permethrin Degradation

Author: BenchChem Technical Support Team. **Date:** April 2026

Compound of Interest

Compound Name: (-)-cis-Permethrin

CAS No.: 54774-46-8

Cat. No.: B1218469

[Get Quote](#)

This technical support center provides troubleshooting guidance for researchers, scientists, and drug development professionals working with **(-)-cis-Permethrin**. The following frequently asked questions (FAQs) and troubleshooting guides address common issues related to its degradation in experimental setups.

Frequently Asked Questions (FAQs)

Q1: What are the primary pathways of **(-)-cis-Permethrin** degradation I should be aware of in my experiments?

A1: **(-)-cis-Permethrin** primarily degrades through two main pathways: hydrolysis of the ester linkage and oxidation.^{[1][2]} Hydrolysis breaks the molecule into 3-(2,2-dichlorovinyl)-2,2-dimethylcyclopropanecarboxylic acid (Cl₂CA) and 3-phenoxybenzyl alcohol (3-PBAIc).^{[3][4]} The resulting 3-PBAIc can be further oxidized to 3-phenoxybenzaldehyde (PBAId) and then to 3-phenoxybenzoic acid (PBAId).^[5] It's important to note that the cis-isomer of permethrin is generally more resistant to hydrolysis than the trans-isomer, making oxidation a more dominant degradation pathway for the cis-isomer.

Q2: My **(-)-cis-Permethrin** stock solution appears to be degrading. What are the optimal storage conditions?

A2: To ensure the stability of your **(-)-cis-Permethrin** stock solution, it is crucial to adhere to proper storage and handling protocols. Technical grade permethrin is stable at room temperature and to heat up to 200°C. For solutions, it is recommended to store them at room temperature, protected from light and moisture. Avoid storing in strongly acidic or alkaline conditions, as hydrolysis can occur. The optimal pH for stability is around 4. It is also advisable to use a tightly sealed container to prevent evaporation of the solvent.

Q3: I am observing unexpected peaks in my HPLC analysis of a **(-)-cis-Permethrin** sample. What could be the cause?

A3: The appearance of unexpected peaks in your HPLC chromatogram often indicates the presence of degradation products or impurities. Common degradation products of **(-)-cis-Permethrin** that may appear as separate peaks include 3-phenoxybenzyl alcohol, 3-phenoxybenzaldehyde, and 3-phenoxybenzoic acid. Peak tailing, where a peak is asymmetrical, can also be an issue and may be caused by secondary interactions with the stationary phase, improper mobile phase pH, or column contamination.

Troubleshooting Guides

Issue 1: Rapid Degradation of **(-)-cis-Permethrin** in Aqueous Solutions

If you are observing a rapid loss of your parent compound in aqueous media, consider the following factors:

- pH of the Medium: Permethrin is susceptible to hydrolysis, especially under alkaline or strongly acidic conditions. The rate of hydrolysis increases significantly at higher pH values.
 - Recommendation: Maintain the pH of your aqueous solution in the neutral to weakly acidic range (optimal stability at pH 4). Use appropriate buffers to stabilize the pH throughout your experiment.
- Temperature: Elevated temperatures can accelerate the rate of hydrolysis and other degradation reactions.

- Recommendation: Conduct your experiments at a controlled and documented temperature. If possible, perform experiments at lower temperatures to minimize degradation, unless the experimental design requires elevated temperatures.
- Presence of Microorganisms: Microbial contamination in your experimental setup can lead to enzymatic degradation of **(-)-cis-Permethrin**.
 - Recommendation: Ensure all glassware and solutions are sterile. If conducting long-term studies, consider adding a microbial inhibitor that does not interfere with your analysis.

Issue 2: Inconsistent Results in Cell-Based Assays

Inconsistent results in in vitro experiments involving cell cultures can be frustrating. Here are some potential causes and solutions:

- Metabolism by Cells: Liver microsomes, for example, contain cytochrome P450 enzymes and carboxylesterases that can metabolize **(-)-cis-Permethrin**. This metabolic activity can vary between cell lines and even between different passages of the same cell line.
 - Recommendation: Characterize the metabolic capacity of your cell line for **(-)-cis-Permethrin**. You can use inhibitors of P450s (e.g., SKF-525A) or carboxylesterases (e.g., bis-p-nitrophenyl phosphate) to confirm the involvement of these enzymes.
- Non-specific Binding: Due to its lipophilic nature (high log P), **(-)-cis-Permethrin** can bind non-specifically to plasticware and serum proteins in the cell culture medium. This reduces the effective concentration of the compound available to the cells.
 - Recommendation: Use silanized glassware or low-binding plasticware to minimize adsorption. When using serum-containing media, the unbound concentration of **(-)-cis-Permethrin** should be considered, which may require specific experimental determination or modeling.

Issue 3: Photodegradation During Experiments

Exposure to light, particularly UV light, can cause photodegradation of permethrin.

- Light Exposure: If your experimental setup is exposed to direct sunlight or strong artificial light for extended periods, photodegradation can occur.

- Recommendation: Protect your samples from light by using amber-colored vials or by wrapping your experimental setup with aluminum foil. Conduct experiments under controlled lighting conditions.

Data Presentation

Table 1: Factors Influencing (-)-cis-Permethrin Stability

Parameter	Condition	Effect on Stability	Recommendation	Reference
pH	Alkaline or Strongly Acidic	Increased Hydrolysis	Maintain pH in the neutral to weakly acidic range (optimum at pH 4).	
Temperature	Elevated	Accelerated Degradation	Control temperature; use lower temperatures when possible.	
Light	UV and Sunlight Exposure	Photodegradation	Protect samples from light using amber vials or foil.	
Microorganisms	Contamination	Enzymatic Degradation	Maintain sterile conditions; consider microbial inhibitors.	
Oxidizing Agents	Presence of salts like KXO ₃	Thermal isomerization and decomposition	Avoid co-formulation with strong oxidizing agents, especially at high temperatures.	

Table 2: Major Degradation Products of **(-)-cis-Permethrin**

Degradation Product	Formation Pathway	Analytical Consideration
3-(2,2-dichlorovinyl)-2,2-dimethylcyclopropanecarboxylic acid (Cl2CA)	Hydrolysis	Can be detected by HPLC.
3-phenoxybenzyl alcohol (3-PBAIc)	Hydrolysis	Can be detected by HPLC and is a precursor to further oxidation products.
3-phenoxybenzaldehyde (PBAId)	Oxidation of 3-PBAIc	Can be detected by HPLC.
3-phenoxybenzoic acid (PBAcId)	Oxidation of PBAId	A common final metabolite, detectable by HPLC.

Experimental Protocols

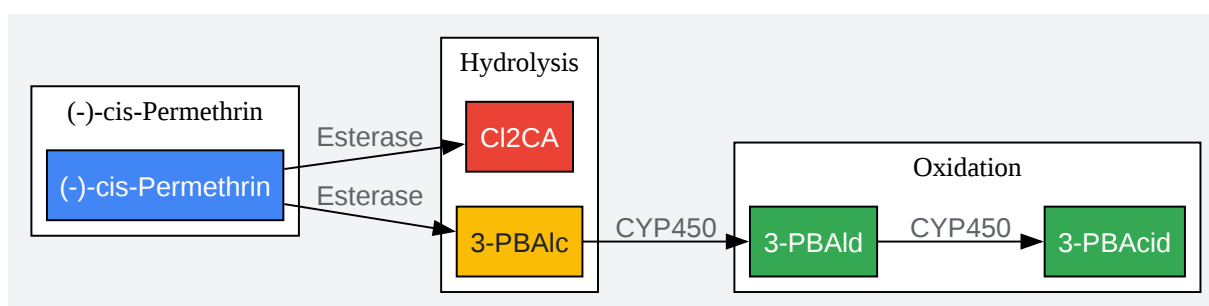
Protocol 1: Sample Preparation for HPLC Analysis of (-)-cis-Permethrin and its Degradation Products

This protocol outlines a general procedure for preparing samples for the analysis of **(-)-cis-Permethrin** and its primary degradation products by High-Performance Liquid Chromatography (HPLC).

- Extraction:
 - For liquid samples (e.g., aqueous solutions, cell culture media), perform a liquid-liquid extraction. Mix the sample with an equal volume of a water-immiscible organic solvent such as acetonitrile or hexane.
 - Vortex the mixture vigorously for 1-2 minutes to ensure efficient extraction.
 - Centrifuge the sample to separate the aqueous and organic layers.
 - Carefully collect the organic layer containing the **(-)-cis-Permethrin** and its lipophilic metabolites.
- Dehydration:

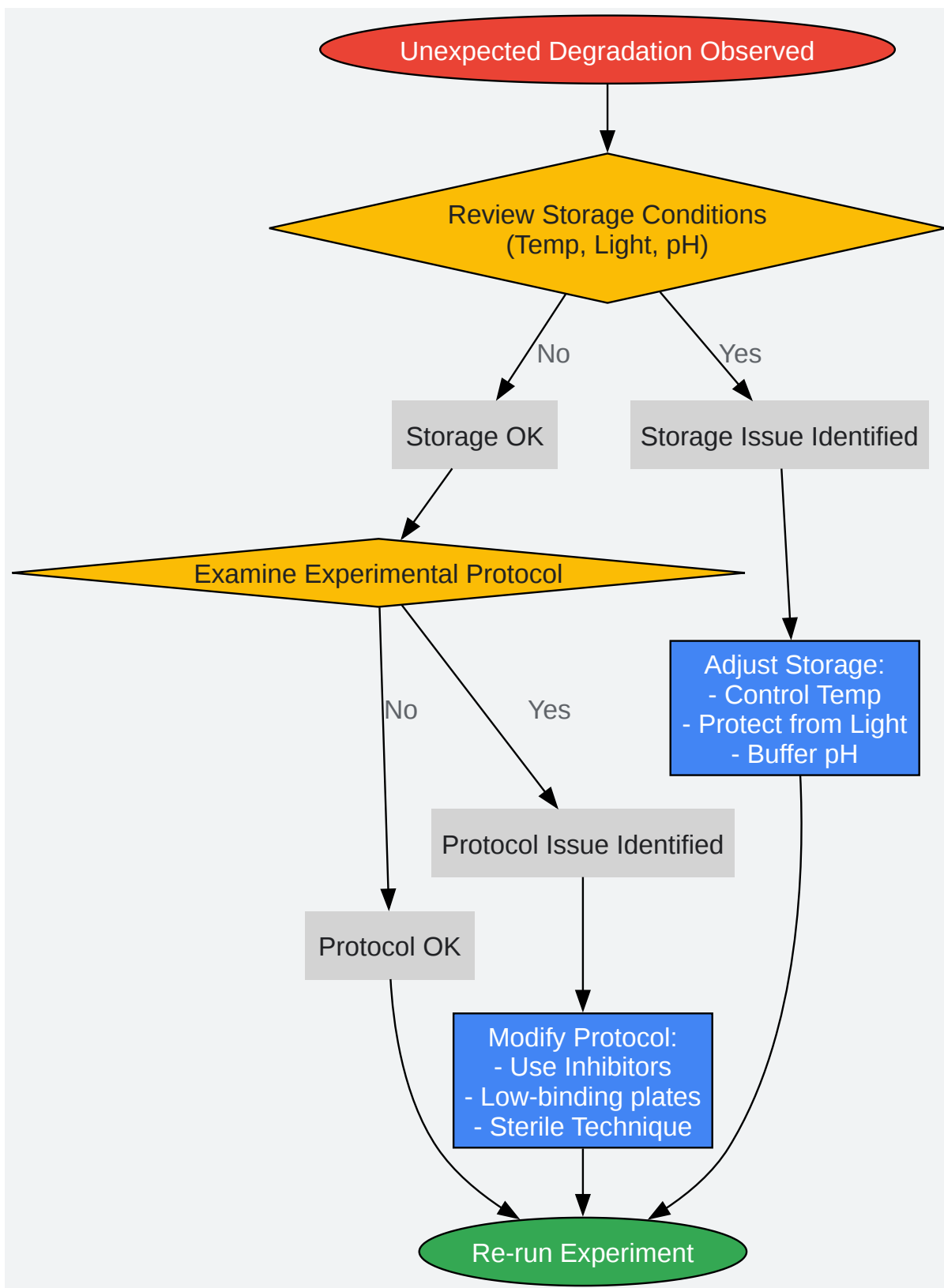
- To remove any residual water from the organic extract, pass it through a small column containing anhydrous sodium sulfate.
- Concentration and Reconstitution:
 - If necessary, evaporate the organic solvent to dryness under a gentle stream of nitrogen.
 - Reconstitute the dried residue in a known volume of the HPLC mobile phase to ensure compatibility with the analytical system.
- Filtration:
 - Filter the reconstituted sample through a 0.22 μm or 0.45 μm syringe filter to remove any particulate matter that could damage the HPLC column.
- Analysis:
 - Inject the filtered sample into the HPLC system. A C18 column is commonly used for the separation of permethrin isomers and their degradation products.
 - Detection is typically performed using a UV detector, with wavelengths around 215 nm or 272 nm providing good sensitivity.

Mandatory Visualization



[Click to download full resolution via product page](#)

Caption: Major degradation pathways of **(-)-cis-Permethrin**.



[Click to download full resolution via product page](#)

Caption: Troubleshooting workflow for unexpected degradation.

Need Custom Synthesis?

BenchChem offers custom synthesis for rare earth carbides and specific isotopic labeling.

Email: info@benchchem.com or [Request Quote Online](#).

References

- [1. 3 Pharmacokinetics of Permethrin - Health Effects of Permethrin-Impregnated Army Battle-Dress Uniforms - NCBI Bookshelf \[ncbi.nlm.nih.gov\]](#)
- [2. Permethrin Degradation Pathway \[eawag-bbd.ethz.ch\]](#)
- [3. researchgate.net \[researchgate.net\]](#)
- [4. igbb.msstate.edu \[igbb.msstate.edu\]](#)
- [5. researchgate.net \[researchgate.net\]](#)
- To cite this document: BenchChem. [Technical Support Center: Troubleshooting (-)-cis-Permethrin Degradation]. BenchChem, [2026]. [Online PDF]. Available at: [\[https://www.benchchem.com/product/b1218469/docs#technical-support-center-troubleshooting-cis-permethrin-degradation\]](https://www.benchchem.com/product/b1218469/docs#technical-support-center-troubleshooting-cis-permethrin-degradation)

Disclaimer & Data Validity:

The information provided in this document is for Research Use Only (RUO) and is strictly not intended for diagnostic or therapeutic procedures. While BenchChem strives to provide accurate protocols, we make no warranties, express or implied, regarding the fitness of this product for every specific experimental setup.

Technical Support: The protocols provided are for reference purposes. Unsure if this reagent suits your experiment?

Need Industrial/Bulk Grade? [Request Custom Synthesis Quote](#)

BenchChem

Our mission is to be the trusted global source of essential and advanced chemicals, empowering scientists and researchers to drive progress in science and industry.

Contact

Address: 3281 E Guasti Rd

Ontario, CA 91761, United States

Phone: (601) 213-4426

Email: info@benchchem.com

[Contact our Ph.D. Support Team for a compatibility check](#)