

TSU-68 In Vitro Assay: Application Notes and Protocols for Kinase Inhibition

Author: BenchChem Technical Support Team. **Date:** April 2026

Compound of Interest

Compound Name: TSU-68
Cat. No.: B1215597

[Get Quote](#)

For Researchers, Scientists, and Drug Development Professionals

Abstract

TSU-68, also known as Orantinib or SU6668, is a potent, orally active, multi-targeted receptor tyrosine kinase (RTK) inhibitor. It primarily targets Platelet-Derived Growth Factor Receptor β (PDGFR β), Vascular Endothelial Growth Factor Receptor 2 (VEGFR2, also known as KDR or Flk-1), and Fibroblast Growth Factor Receptor 1 (FGFR1).[1][2][3] By competitively inhibiting ATP binding to the kinase domain of these receptors, **TSU-68** effectively blocks downstream signaling pathways crucial for angiogenesis, tumor growth, and metastasis.[2][4] These application notes provide detailed protocols for in vitro assays to characterize the inhibitory activity of **TSU-68**, including a cell-free kinase assay and a cell-based receptor phosphorylation assay.

Data Presentation

Table 1: Inhibitory Activity of TSU-68 Against Various Kinases

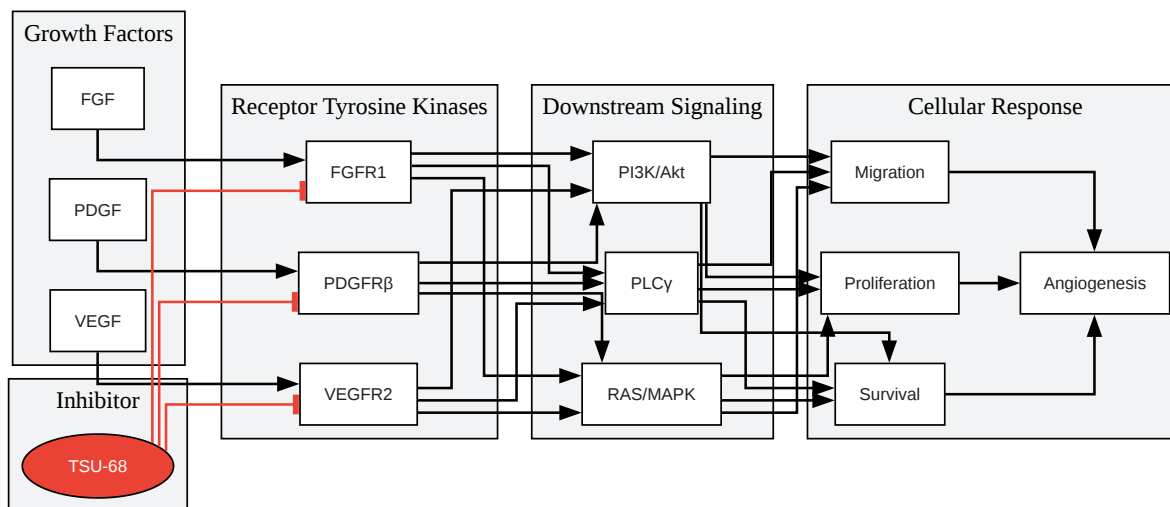
Target Kinase	Assay Type	IC50 / Ki Value	Reference
PDGFR β	Cell-free	8 nM (Ki)	[2]
PDGFR β	Cell-free	0.06 μ M (IC50)	[1][5]
VEGFR2 (KDR/Flk-1)	Cell-free	2.4 μ M (IC50)	[1]
VEGFR1 (Flt-1)	Cell-free	2.1 μ M (Ki)	[2]
FGFR1	Cell-free	3.0 μ M (IC50)	[1]
FGFR1	Cell-free	1.2 μ M (Ki)	[2]
c-Kit	Cell-based	0.1 - 1 μ M (IC50)	[2][6]
Aurora Kinase B	Not Specified	35 nM (IC50)	[1]
Aurora Kinase C	Not Specified	210 nM (IC50)	[1]
EGFR	Cell-free/Cell-based	>100 μ M (IC50)	[1][2]

Table 2: Cellular Activity of TSU-68

Cell Line	Assay Type	Ligand	IC50 Value	Reference
HUVEC	Mitogenesis	VEGF	0.34 μ M	[2]
HUVEC	Mitogenesis	FGF	9.6 μ M	[2]
MO7E	Proliferation	SCF	0.29 μ M	[2][7]
NIH-3T3	Mitogenesis	PDGF	16.5 μ M	[5]

Signaling Pathway

TSU-68 simultaneously inhibits multiple RTK signaling pathways involved in angiogenesis and tumor cell proliferation. The diagram below illustrates the primary targets of **TSU-68** and their downstream effects.



[Click to download full resolution via product page](#)

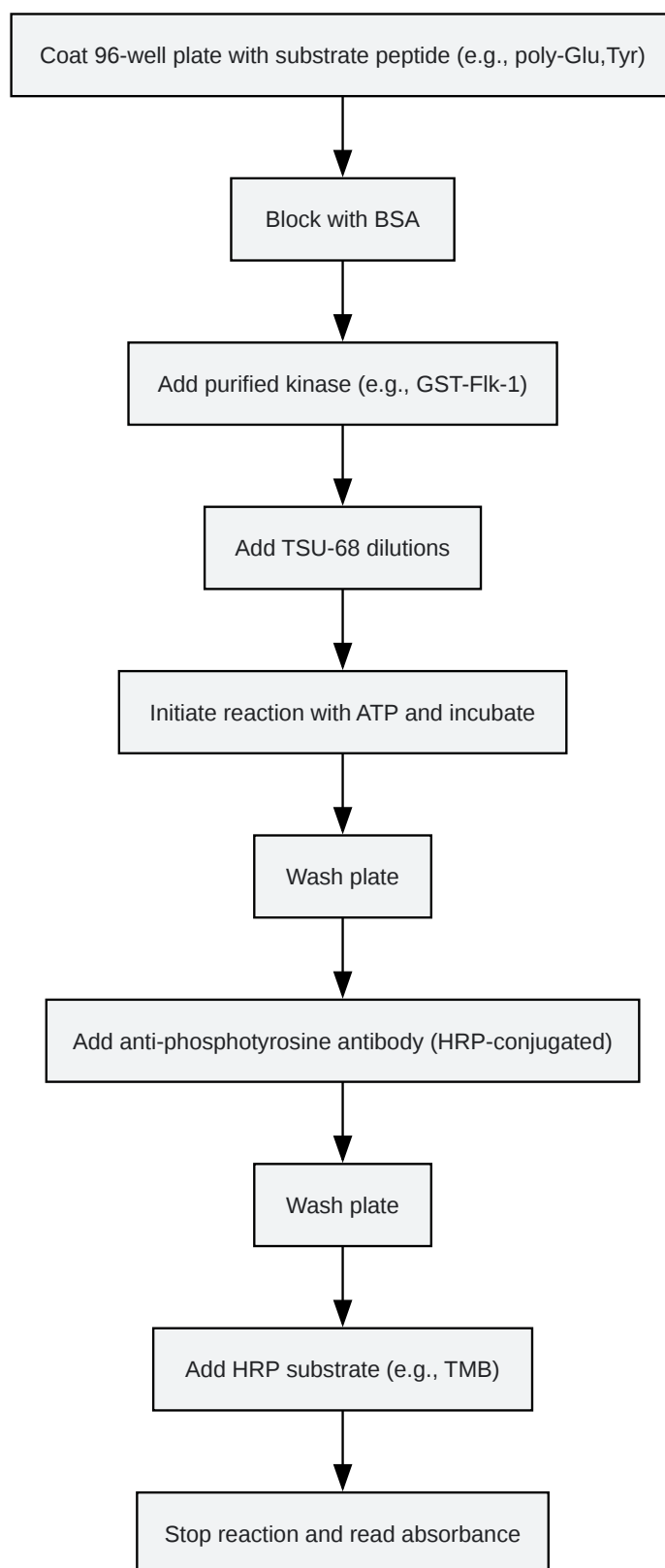
Caption: **TSU-68** inhibits VEGFR2, PDGFR β , and FGFR1 signaling pathways.

Experimental Protocols

Protocol 1: Cell-Free Kinase Assay (ELISA-based)

This protocol describes a method to determine the in vitro inhibitory activity of **TSU-68** against purified receptor tyrosine kinases.

Experimental Workflow



[Click to download full resolution via product page](#)

Caption: Workflow for the cell-free ELISA-based kinase assay.

Materials and Reagents

- 96-well microtiter plates: High-binding capacity.
- Substrate Peptide: Poly (Glu, Tyr) 4:1.
- Kinases: Purified, active recombinant kinase domains (e.g., GST-VEGFR2, GST-PDGFR β , GST-FGFR1).
- **TSU-68** (SU6668): Prepare a stock solution in DMSO (e.g., 10 mM).
- ATP: Adenosine triphosphate.
- Blocking Buffer: 1% (w/v) Bovine Serum Albumin (BSA) in Phosphate Buffered Saline (PBS).
- Kinase Reaction Buffer: 50 mM HEPES (pH 7.4), 10 mM MgCl₂, 10 mM MnCl₂, 1 mM DTT, 0.2% BSA.
- Wash Buffer: PBS with 0.05% (v/v) Tween-20 (PBST).
- Primary Antibody: HRP-conjugated anti-phosphotyrosine antibody.
- HRP Substrate: TMB (3,3',5,5'-Tetramethylbenzidine) or similar.
- Stop Solution: 2 M H₂SO₄.
- Plate reader: Capable of measuring absorbance at 450 nm.

Procedure

- Plate Coating:
 - Dissolve poly (Glu, Tyr) in PBS to a final concentration of 100 μ g/mL.
 - Add 100 μ L of the substrate solution to each well of a 96-well plate.
 - Incubate overnight at 4°C.
 - Wash the wells three times with Wash Buffer.

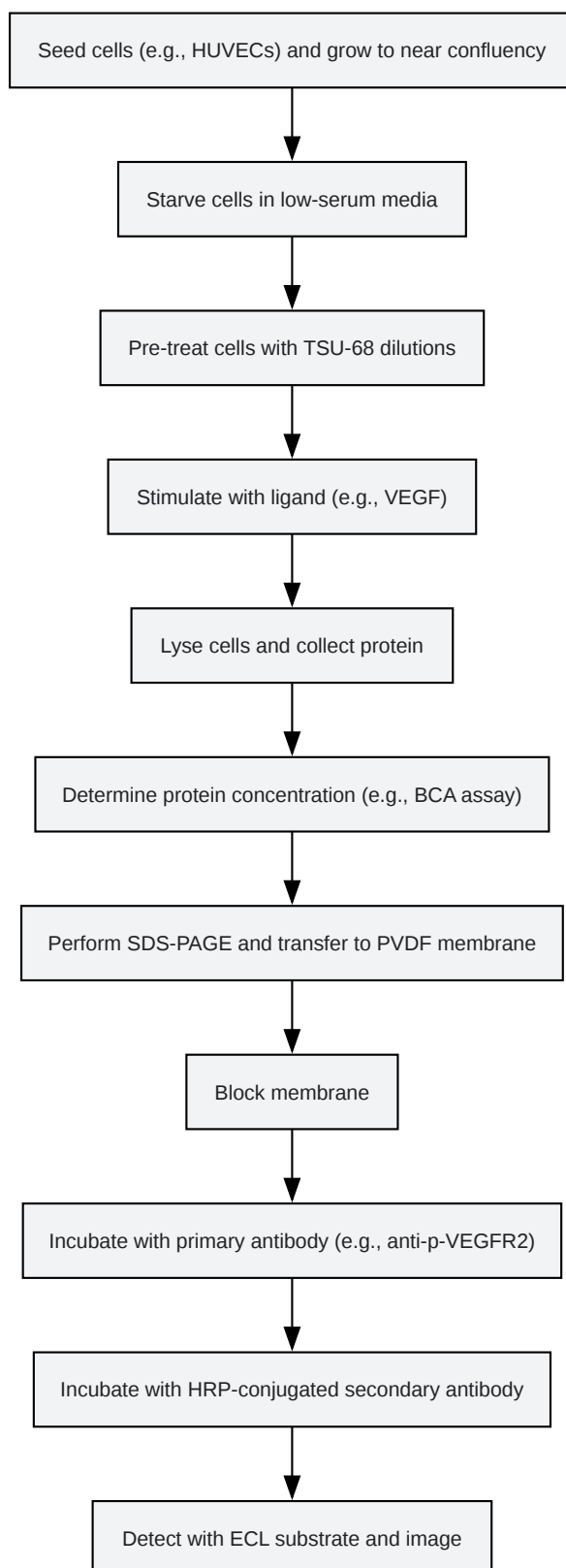
- Blocking:
 - Add 200 μ L of Blocking Buffer to each well.
 - Incubate for 1-2 hours at room temperature.
 - Wash the wells three times with Wash Buffer.
- Kinase Reaction:
 - Prepare serial dilutions of **TSU-68** in Kinase Reaction Buffer. Also prepare a "no inhibitor" control.
 - Add 50 μ L of the diluted **TSU-68** or control to the appropriate wells.
 - Add 25 μ L of the purified kinase (e.g., 50 ng/well) diluted in Kinase Reaction Buffer to each well.
 - Incubate for 10 minutes at room temperature.
 - To initiate the kinase reaction, add 25 μ L of ATP solution (final concentration should be at the K_m for the specific kinase, typically 5-10 μ M) to each well.
 - Incubate for 30-60 minutes at 30°C.
- Detection:
 - Stop the reaction by washing the wells five times with Wash Buffer.
 - Dilute the HRP-conjugated anti-phosphotyrosine antibody in Blocking Buffer according to the manufacturer's instructions.
 - Add 100 μ L of the diluted antibody to each well.
 - Incubate for 1 hour at room temperature.
 - Wash the wells five times with Wash Buffer.

- Add 100 μ L of TMB substrate to each well and incubate in the dark until sufficient color develops (typically 15-30 minutes).
- Stop the reaction by adding 50 μ L of Stop Solution.
- Read the absorbance at 450 nm using a microplate reader.
- Data Analysis:
 - Subtract the background absorbance (wells with no kinase).
 - Plot the percentage of kinase inhibition versus the log of **TSU-68** concentration.
 - Calculate the IC50 value using non-linear regression analysis.

Protocol 2: Cell-Based Receptor Phosphorylation Assay (Western Blot)

This protocol details a method to assess the inhibitory effect of **TSU-68** on ligand-induced receptor phosphorylation in a cellular context.

Experimental Workflow



[Click to download full resolution via product page](#)

Caption: Workflow for the cell-based receptor phosphorylation assay.

Materials and Reagents

- Cell Line: Human Umbilical Vein Endothelial Cells (HUVECs) or NIH-3T3 cells overexpressing the receptor of interest.
- Cell Culture Media: Endothelial Cell Growth Medium for HUVECs; DMEM with 10% FBS for NIH-3T3.
- Starvation Medium: Basal medium with 0.5% FBS.
- **TSU-68** (SU6668): 10 mM stock in DMSO.
- Ligands: Recombinant human VEGF, PDGF, or FGF.
- Lysis Buffer: RIPA buffer with protease and phosphatase inhibitors.
- Protein Assay: BCA or Bradford protein assay kit.
- SDS-PAGE reagents: Acrylamide, SDS, TEMED, APS, etc.
- PVDF membrane.
- Blocking Buffer: 5% (w/v) non-fat dry milk or BSA in Tris-Buffered Saline with 0.1% Tween-20 (TBST).
- Primary Antibodies:
 - Anti-phospho-VEGFR2 (Tyr1175)
 - Anti-total-VEGFR2
 - Anti-phospho-PDGFR β (Tyr751)
 - Anti-total-PDGFR β
 - Anti- β -actin (loading control)
- Secondary Antibody: HRP-conjugated anti-rabbit or anti-mouse IgG.

- Detection Reagent: Enhanced Chemiluminescence (ECL) substrate.
- Imaging System: Chemiluminescence imager.

Procedure

- Cell Culture and Treatment:
 - Seed HUVECs in 6-well plates and grow until they are 80-90% confluent.
 - Starve the cells by replacing the growth medium with Starvation Medium for 16-24 hours.
 - Prepare serial dilutions of **TSU-68** in Starvation Medium.
 - Pre-treat the cells by adding the **TSU-68** dilutions to the wells and incubate for 1-2 hours at 37°C. Include a vehicle control (DMSO).
 - Stimulate the cells by adding the appropriate ligand (e.g., 50 ng/mL VEGF) for 5-10 minutes at 37°C. Include an unstimulated control.
- Protein Extraction:
 - Aspirate the medium and wash the cells twice with ice-cold PBS.
 - Add 100-200 μ L of ice-cold Lysis Buffer to each well.
 - Scrape the cells and transfer the lysate to a microcentrifuge tube.
 - Incubate on ice for 30 minutes, vortexing occasionally.
 - Centrifuge at 14,000 x g for 15 minutes at 4°C.
 - Transfer the supernatant (protein lysate) to a new tube.
 - Determine the protein concentration using a BCA or Bradford assay.
- Western Blotting:

- Normalize the protein samples to the same concentration with Lysis Buffer and Laemmli sample buffer.
- Boil the samples for 5 minutes.
- Load 20-30 µg of protein per lane onto an SDS-PAGE gel.
- Run the gel and transfer the proteins to a PVDF membrane.
- Block the membrane with Blocking Buffer for 1 hour at room temperature.
- Incubate the membrane with the primary antibody (e.g., anti-phospho-VEGFR2) diluted in Blocking Buffer overnight at 4°C with gentle agitation.
- Wash the membrane three times for 10 minutes each with TBST.
- Incubate the membrane with the HRP-conjugated secondary antibody diluted in Blocking Buffer for 1 hour at room temperature.
- Wash the membrane three times for 10 minutes each with TBST.
- Detection and Analysis:
 - Prepare the ECL substrate according to the manufacturer's instructions.
 - Incubate the membrane with the ECL substrate.
 - Capture the chemiluminescent signal using an imaging system.
 - To normalize for protein loading, strip the membrane and re-probe with an antibody against the total receptor protein and/or a housekeeping protein like β-actin.
 - Quantify the band intensities using image analysis software. The level of receptor phosphorylation can be expressed as the ratio of the phosphorylated protein signal to the total protein signal.

Disclaimer

These protocols are intended for research use only by qualified individuals. Appropriate safety precautions should be taken when handling all chemicals and reagents. The specific concentrations of reagents and incubation times may need to be optimized for different experimental conditions and cell lines.

Need Custom Synthesis?

BenchChem offers custom synthesis for rare earth carbides and specific isotopic labeling.

Email: info@benchchem.com or [Request Quote Online](#).

References

- [1. medchemexpress.com](https://www.medchemexpress.com) [[medchemexpress.com](https://www.medchemexpress.com)]
- [2. selleckchem.com](https://www.selleckchem.com) [[selleckchem.com](https://www.selleckchem.com)]
- [3. aacrjournals.org](https://www.aacrjournals.org) [[aacrjournals.org](https://www.aacrjournals.org)]
- [4. apexbt.com](https://www.apexbt.com) [[apexbt.com](https://www.apexbt.com)]
- [5. researchgate.net](https://www.researchgate.net) [[researchgate.net](https://www.researchgate.net)]
- [6. Improved Effect of an Antiangiogenic Tyrosine Kinase Inhibitor \(SU5416\) by Combinations with Fractionated Radiotherapy or Low Molecular Weight Heparin - PMC](#) [[pmc.ncbi.nlm.nih.gov](https://pubmed.ncbi.nlm.nih.gov/)]
- [7. SU6668 inhibits the proliferation and motility of colorectal cancer cells by inducing cycle arrest, and promotes their apoptosis - Yu - Translational Cancer Research](#) [[tcr.amegroups.org](https://www.translationalcancerresearch.com/)]
- To cite this document: BenchChem. [TSU-68 In Vitro Assay: Application Notes and Protocols for Kinase Inhibition]. BenchChem, [2026]. [Online PDF]. Available at: [<https://www.benchchem.com/product/b1215597/docs#tsu-68-in-vitro-assay-application-notes-and-protocols-for-kinase-inhibition>]

Disclaimer & Data Validity:

The information provided in this document is for Research Use Only (RUO) and is strictly not intended for diagnostic or therapeutic procedures. While BenchChem strives to provide accurate protocols, we make no warranties, express or implied, regarding the fitness of this product for every specific experimental setup.

Technical Support: The protocols provided are for reference purposes. Unsure if this reagent suits your experiment?

Need Industrial/Bulk Grade? [Request Custom Synthesis Quote](#)

BenchChem

Our mission is to be the trusted global source of essential and advanced chemicals, empowering scientists and researchers to drive progress in science and industry.

Contact

Address: 3281 E Guasti Rd

Ontario, CA 91761, United States

Phone: (601) 213-4426

Email: info@benchchem.com

[Contact our Ph.D. Support Team for a compatibility check](#)