

Application Notes & Protocols: Liposomal Encapsulation of Dexamethasone Isonicotinate for Targeted Therapy

Author: BenchChem Technical Support Team. **Date:** May 2026

Compound of Interest

Compound Name: *Dexamethasone isonicotinate*

CAS No.: 2265-64-7

Cat. No.: B1200071

[Get Quote](#)

Audience: Researchers, scientists, and drug development professionals.

Introduction: **Dexamethasone isonicotinate** is a potent synthetic glucocorticoid with significant anti-inflammatory and immunosuppressive properties.[1][2] As a corticosteroid hormone receptor agonist, its mechanism involves modulating gene expression to reduce the inflammatory response.[3][4] However, its clinical application can be limited by poor aqueous solubility and potential systemic side effects.[5][6] Encapsulating **Dexamethasone isonicotinate** into liposomes offers a promising strategy to overcome these limitations. Liposomes are versatile, biocompatible nanocarriers capable of entrapping hydrophobic drugs like **Dexamethasone isonicotinate** within their lipid bilayer.[7][8] This encapsulation can enhance drug solubility, prolong circulation time, and enable targeted delivery to specific sites of disease, such as tumors or areas of inflammation, thereby increasing therapeutic efficacy while minimizing off-target toxicity.[9][10]

These application notes provide a comprehensive overview and detailed protocols for the formulation, characterization, and evaluation of **Dexamethasone isonicotinate**-loaded

liposomes for targeted therapeutic applications.

Physicochemical Properties of Dexamethasone Isonicotinate

Understanding the properties of the active pharmaceutical ingredient (API) is critical for designing an effective liposomal formulation. **Dexamethasone isonicotinate**'s high lipophilicity suggests its favorable incorporation into the lipid bilayer of liposomes.

Property	Value	Reference
Molecular Formula	C ₂₈ H ₃₂ FNO ₆	[11]
Molecular Weight	497.56 g/mol	[11]
Appearance	White or almost white crystalline powder	[6]
Melting Point	256°C	[5][6]
Solubility	Practically insoluble in water; slightly soluble in ethanol and acetone	[5][6]
LogP (Octanol-Water)	3.02	[5]

Experimental Protocols

Protocol 1: Preparation of Dexamethasone Isonicotinate-Loaded Liposomes via Thin-Film Hydration

This protocol describes the widely used thin-film hydration method, followed by extrusion for size homogenization. This technique is suitable for encapsulating hydrophobic drugs like **Dexamethasone isonicotinate**.

Materials:

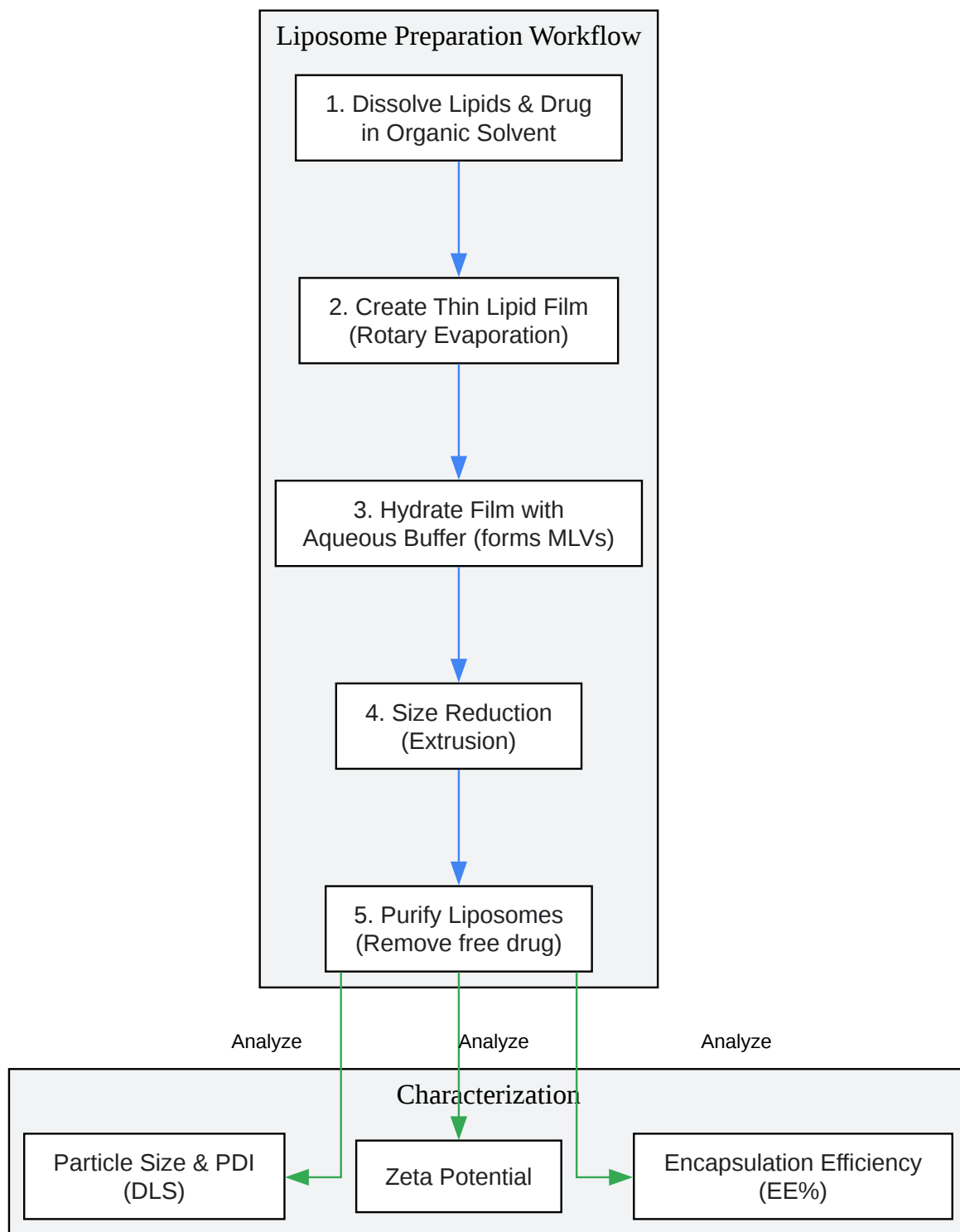
- **Dexamethasone isonicotinate**

- Phospholipids (e.g., 1,2-dipalmitoyl-sn-glycero-3-phosphocholine, DPPC)
- Cholesterol
- Chloroform and Methanol (or other suitable organic solvent system)
- Phosphate-Buffered Saline (PBS), pH 7.4
- Round-bottom flask
- Rotary evaporator
- Water bath sonicator
- Liposome extruder (e.g., Avanti Mini-Extruder)
- Polycarbonate membranes (e.g., 100 nm pore size)

Methodology:

- Lipid Film Preparation:
 - Dissolve **Dexamethasone isonicotinate**, DPPC, and cholesterol in a chloroform/methanol mixture in a round-bottom flask. A common starting molar ratio is 55:40:5 (DPPC:Cholesterol:Drug), but this requires optimization.
 - Attach the flask to a rotary evaporator.
 - Rotate the flask in a water bath set to a temperature above the lipid transition temperature (T_c of DPPC is 41°C) to evaporate the organic solvent.
 - Continue rotation under a high vacuum for at least 2 hours after the film appears dry to remove any residual solvent. A thin, uniform lipid film should be visible on the flask wall.
- Hydration:
 - Hydrate the lipid film by adding pre-warmed (above T_c) PBS (pH 7.4) to the flask.

- Agitate the flask gently by hand or on a shaker for 1-2 hours until the lipid film is fully suspended, forming multilamellar vesicles (MLVs).
- Size Reduction (Extrusion):
 - To obtain unilamellar vesicles of a defined size, subject the MLV suspension to extrusion.
 - Assemble the extruder with a 100 nm polycarbonate membrane.
 - Transfer the liposome suspension to the extruder syringe.
 - Pass the suspension through the membrane 11-21 times. This process, performed at a temperature above the lipid T_c , reduces the size and lamellarity of the vesicles, resulting in a more homogenous population of large unilamellar vesicles (LUVs).
- Purification:
 - Remove the unencapsulated drug by centrifuging the liposome suspension and collecting the supernatant or by using size exclusion chromatography.



[Click to download full resolution via product page](#)

Caption: Workflow for liposome formulation and characterization.

Illustrative Formulation & Characterization Data

The following table presents hypothetical data for different liposomal formulations of **Dexamethasone isonicotinate**. These values are representative of what might be achieved and should be used as a baseline for optimization studies.

Formulation ID	Lipid Composition (molar ratio)	Mean Diameter (nm)	PDI	Zeta Potential (mV)	Encapsulation Efficiency (%)
LDI-1	DPPC:Chol (60:40)	125 ± 5.2	0.15	-5.8 ± 1.1	85.3
LDI-2	DPPC:Chol (70:30)	140 ± 6.8	0.21	-4.5 ± 0.9	89.1
LDI-3	DSPC:Chol (60:40)	118 ± 4.5	0.12	-6.2 ± 1.4	92.5
LDI-4 (PEGylated)	DPPC:Chol:D SPE-PEG2k (55:40:5)	135 ± 5.9	0.13	-15.7 ± 2.3	82.4

Note: PDI = Polydispersity Index; DPPC = 1,2-dipalmitoyl-sn-glycero-3-phosphocholine; DSPC = 1,2-distearoyl-sn-glycero-3-phosphocholine; Chol = Cholesterol; DSPE-PEG2k = 1,2-distearoyl-sn-glycero-3-phosphoethanolamine-N-[amino(polyethylene glycol)-2000]. Data are presented as mean ± SD.

Protocol 2: Characterization of Liposomes

1. Particle Size, PDI, and Zeta Potential:

- Instrument: Dynamic Light Scattering (DLS) instrument (e.g., Malvern Zetasizer).
- Method: Dilute the liposome suspension in PBS (for size) or deionized water (for zeta potential).^[12] Place the diluted sample in the appropriate cuvette and measure at 25°C. The instrument software calculates the Z-average diameter, polydispersity index (PDI), and zeta potential based on the Brownian motion and electrophoretic mobility of the particles.^[12]

2. Encapsulation Efficiency (EE%):

- Principle: EE% is the percentage of the initial drug that is successfully entrapped within the liposomes.
- Method:
 - Separate the unencapsulated ("free") drug from the liposomes using a method like ultracentrifugation or spin columns.
 - Measure the concentration of the free drug in the supernatant using UV-Vis spectrophotometry at the appropriate wavelength for **Dexamethasone isonicotinate**.
 - To measure the total drug amount, disrupt a known volume of the liposome suspension with a suitable solvent (e.g., methanol or Triton X-100) and measure the drug concentration.
 - Calculate EE% using the formula: $EE\% = [(Total\ Drug - Free\ Drug) / Total\ Drug] \times 100$

Protocol 3: In Vitro Drug Release Study

Principle: This protocol uses a dialysis method to simulate the release of the drug from the liposomes into a physiological buffer over time.

Materials:

- Liposome suspension
- Dialysis tubing (with appropriate Molecular Weight Cut-Off, e.g., 12-14 kDa)
- Release medium (e.g., PBS pH 7.4, potentially with 0.5% Tween 80 to maintain sink conditions)
- Shaking water bath or incubator

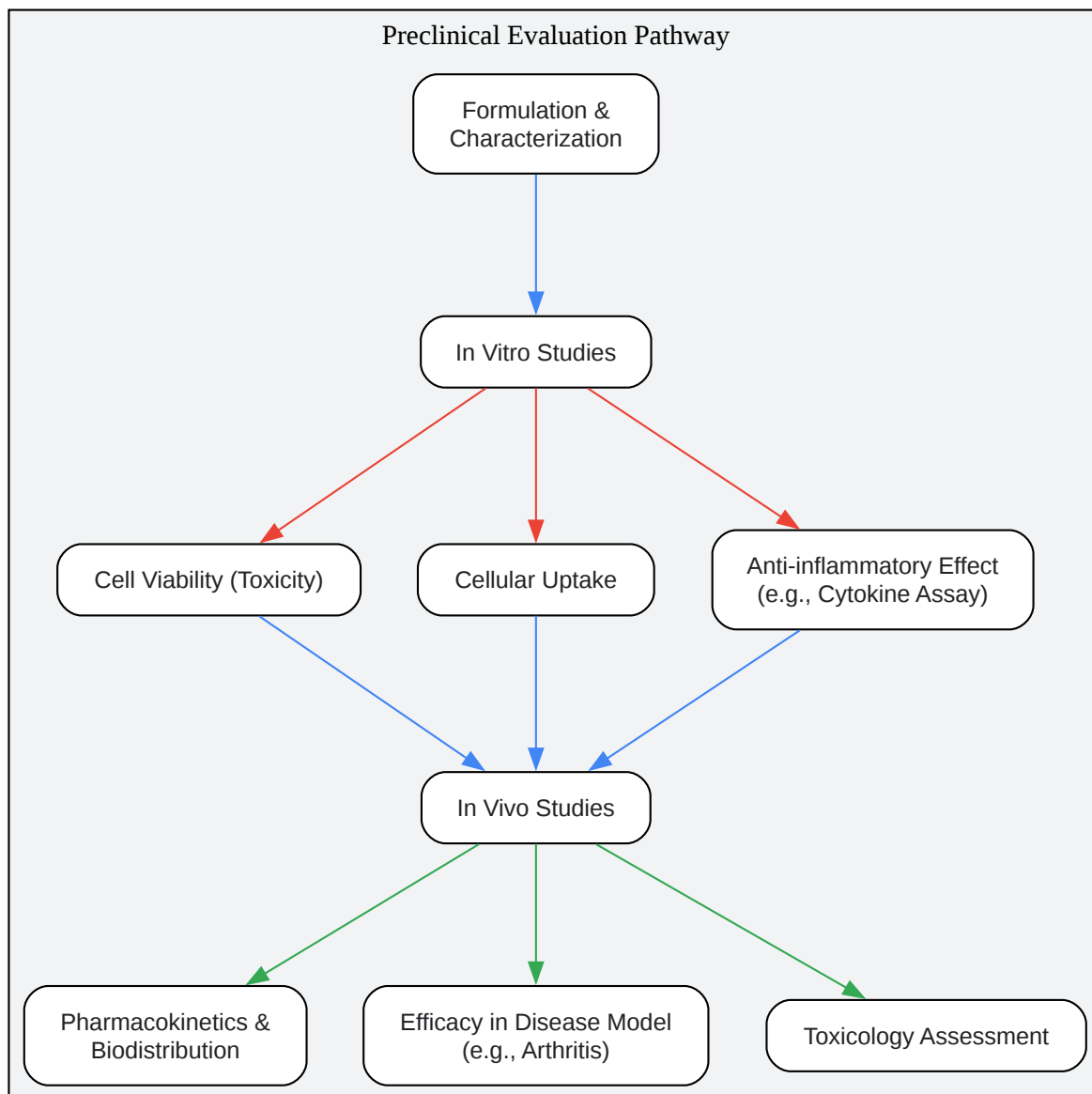
Methodology:

- Transfer a known volume (e.g., 1 mL) of the purified liposome suspension into a dialysis bag.

- Seal the bag and immerse it in a larger volume of release medium (e.g., 50 mL) to ensure sink conditions.
- Place the entire setup in a shaking incubator at 37°C.
- At predetermined time points (e.g., 1, 2, 4, 8, 12, 24, 48 hours), withdraw an aliquot (e.g., 1 mL) of the release medium and replace it with an equal volume of fresh medium.
- Analyze the concentration of **Dexamethasone isonicotinate** in the collected samples using UV-Vis spectrophotometry or HPLC.
- Plot the cumulative percentage of drug released versus time.

Preclinical Evaluation Workflow & Mechanism of Action

Successful targeted therapy requires a logical progression from formulation to in vivo validation. The glucocorticoid mechanism of action is central to the therapeutic effect of Dexamethasone.

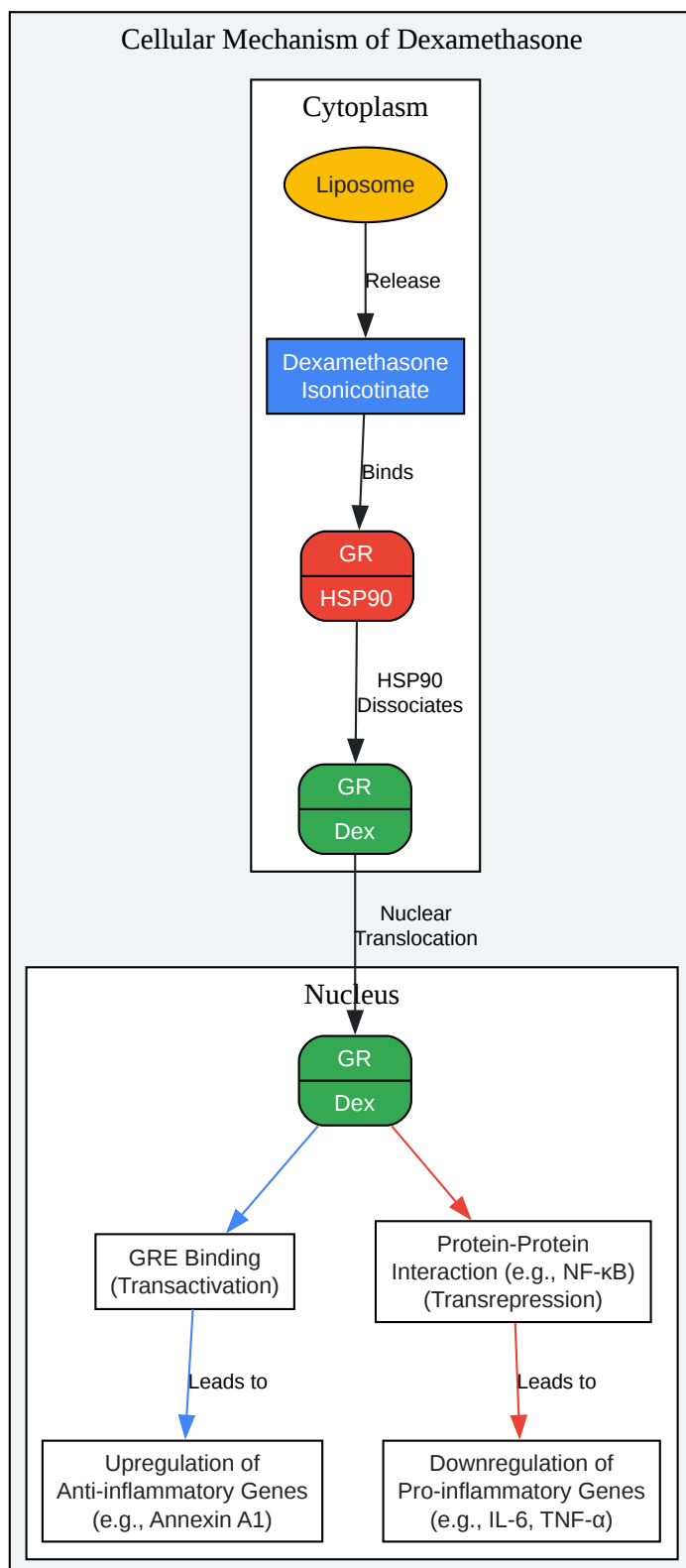


[Click to download full resolution via product page](#)

Caption: Logical workflow for the preclinical evaluation of liposomes.

Mechanism of Action: Glucocorticoid Receptor Signaling

Dexamethasone, the active component, exerts its effects by binding to the cytosolic Glucocorticoid Receptor (GR). This complex then translocates to the nucleus to modulate gene expression.



[Click to download full resolution via product page](#)

Caption: Glucocorticoid receptor signaling pathway for dexamethasone.

Protocol 4: In Vitro Cell Viability (MTT Assay)

Principle: To assess the cytotoxicity of the liposomal formulation on a relevant cell line (e.g., RAW 264.7 macrophages).

Methodology:

- Seed cells in a 96-well plate and allow them to adhere overnight.
- Treat the cells with various concentrations of:
 - Free **Dexamethasone isonicotinate**
 - **Dexamethasone isonicotinate**-loaded liposomes
 - "Empty" liposomes (without drug)
 - A positive control (e.g., doxorubicin) and a negative control (media only).
- Incubate for 24 or 48 hours at 37°C.
- Add MTT reagent to each well and incubate for 4 hours, allowing viable cells to form formazan crystals.
- Solubilize the crystals by adding a solubilizing agent (e.g., DMSO or SDS).
- Read the absorbance at a specific wavelength (e.g., 570 nm) using a microplate reader.
- Calculate cell viability as a percentage relative to the untreated control cells.

Protocol 5: Representative In Vivo Efficacy Study

Model: Adjuvant-induced arthritis (AIA) in rats, a common model for rheumatoid arthritis.[\[13\]](#)

Methodology:

- Induction of Arthritis: Induce arthritis in Lewis rats by intradermal injection of Mycobacterium tuberculosis in incomplete Freund's adjuvant.

- Grouping and Treatment: Once arthritis is established (e.g., day 10-12), randomize animals into treatment groups:
 - Saline control
 - Free **Dexamethasone isonicotinate**
 - Empty liposomes
 - Targeted liposomal **Dexamethasone isonicotinate**
- Administration: Administer treatments intravenously (e.g., via tail vein) at a specified dose and schedule (e.g., every three days).
- Monitoring: Monitor animals regularly for:
 - Clinical Score: A semi-quantitative assessment of inflammation in each paw.
 - Paw Volume: Measured using a plethysmometer.
 - Body Weight: As an indicator of general health.
- Endpoint Analysis: At the end of the study (e.g., day 21), collect blood for cytokine analysis (e.g., TNF- α , IL-6) and harvest joints for histological examination to assess inflammation, cartilage damage, and bone erosion.[13]

Disclaimer: All animal experiments must be conducted in accordance with institutional guidelines and approved by an appropriate ethics committee.

Need Custom Synthesis?

BenchChem offers custom synthesis for rare earth carbides and specific isotopic labeling.

Email: info@benchchem.com or [Request Quote Online](#).

References

- [1. Dexamethasone isonicotinate | steroid anti-inflammatory agent and immunosuppressant | 2265-64-7 | InvivoChem \[invivochem.com\]](#)
- [2. Dexamethasone isonicotinate - Wikipedia \[en.wikipedia.org\]](#)
- [3. Dexamethasone Isonicotinate | Drug Information, Uses, Side Effects, Chemistry | PharmaCompass.com \[pharmacompass.com\]](#)
- [4. Dexamethasone | C22H29FO5 | CID 5743 - PubChem \[pubchem.ncbi.nlm.nih.gov\]](#)
- [5. Buy Dexamethasone isonicotinate | 2265-64-7 \[smolecule.com\]](#)
- [6. Dexamethasone Isonicotinate | 2265-64-7 \[chemicalbook.com\]](#)
- [7. mdpi.com \[mdpi.com\]](#)
- [8. ijnrd.org \[ijnrd.org\]](#)
- [9. dovepress.com \[dovepress.com\]](#)
- [10. Targeted Liposomal Drug Delivery: Overview of the Current Applications and Challenges - PubMed \[pubmed.ncbi.nlm.nih.gov\]](#)
- [11. medkoo.com \[medkoo.com\]](#)
- [12. mdpi.com \[mdpi.com\]](#)
- [13. Peptide-targeted liposomal delivery of dexamethasone for arthritis therapy - PMC \[pmc.ncbi.nlm.nih.gov\]](#)
- [To cite this document: BenchChem. \[Application Notes & Protocols: Liposomal Encapsulation of Dexamethasone Isonicotinate for Targeted Therapy\]. BenchChem, \[2026\]. \[Online PDF\]. Available at: \[https://www.benchchem.com/product/b1200071/docs#application-notes-protocols-liposomal-encapsulation-of-dexamethasone-isonicotinate-for-targeted-therapy\]](#)

Disclaimer & Data Validity:

The information provided in this document is for Research Use Only (RUO) and is strictly not intended for diagnostic or therapeutic procedures. While BenchChem strives to provide accurate protocols, we make no warranties, express or implied, regarding the fitness of this product for every specific experimental setup.

Technical Support: The protocols provided are for reference purposes. Unsure if this reagent suits your experiment?

Need Industrial/Bulk Grade? [Request Custom Synthesis Quote](#)

BenchChem

Our mission is to be the trusted global source of essential and advanced chemicals, empowering scientists and researchers to drive progress in science and industry.

Contact

Address: 3281 E Guasti Rd
Ontario, CA 91761, United States
Phone: (601) 213-4426
Email: info@benchchem.com

[Contact our Ph.D. Support Team for a compatibility check](#)