

BNTX Maleate: Application Notes and Protocols for Flow Cytometry Analysis

Author: BenchChem Technical Support Team. **Date:** April 2026

Compound of Interest

Compound Name: *BNTX maleate*

CAS No.: 864461-31-4

Cat. No.: B1139516

[Get Quote](#)

For Researchers, Scientists, and Drug Development Professionals

Introduction

BNTX maleate has been identified as a compound that sensitizes pancreatic cancer cells to Tumor Necrosis Factor-Related Apoptosis-Inducing Ligand (TRAIL)-induced apoptosis. This application note provides detailed protocols for the analysis of apoptosis and cell cycle progression in response to **BNTX maleate** treatment using flow cytometry. Furthermore, it summarizes the available quantitative data and elucidates the underlying signaling pathway.

Flow cytometry is a powerful technique for single-cell analysis, enabling the quantification of apoptosis and the determination of cell cycle distribution. The protocols described herein utilize common and robust methods, including Annexin V staining for the detection of apoptotic cells and propidium iodide (PI) staining for cell cycle analysis.

Data Presentation

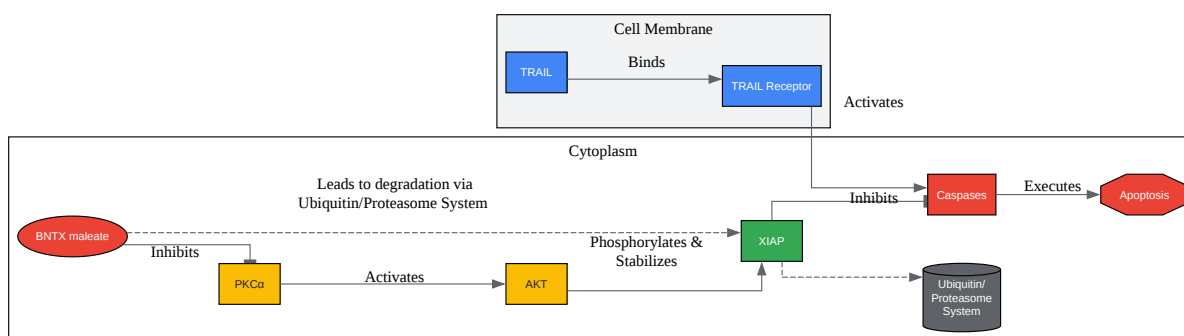
The following tables summarize the quantitative effects of **BNTX maleate** on apoptosis in pancreatic cancer cell lines.

Table 1: Effect of **BNTX Maleate** in Combination with TRAIL on Apoptosis in Pancreatic Cancer Cells

Cell Line	Treatment	Concentration	Duration (hours)	Annexin V Positive Cells (%)
AsPC-1	Control	-	24	~5%
BNTX maleate	2.5 μ M	24	~7%	
TRAIL	25 ng/mL	24	~8%	
BNTX maleate + TRAIL	2.5 μ M + 25 ng/mL	24	28.4 \pm 2.8% ^[1]	
PANC-1	BNTX maleate + TRAIL	2.5 μ M + 25 ng/mL	24	Increased apoptosis observed
MIA PaCa-2	BNTX maleate + TRAIL	2.5 μ M + 25 ng/mL	24	Increased apoptosis observed

Signaling Pathway

BNTX maleate sensitizes pancreatic cancer cells to TRAIL-induced apoptosis by inhibiting the Protein Kinase C alpha (PKC α)/AKT signaling pathway. This inhibition leads to the downregulation of the X-linked inhibitor of apoptosis protein (XIAP), promoting the ubiquitin/proteasome-dependent degradation of XIAP.^[1] The subsequent decrease in XIAP levels allows for the activation of caspases and the execution of the apoptotic program.



[Click to download full resolution via product page](#)

Caption: **BNTX Maleate** Signaling Pathway in Apoptosis.

Experimental Protocols

Protocol 1: Analysis of Apoptosis by Annexin V Staining

This protocol describes the detection of apoptosis in cells treated with **BNTX maleate** using Annexin V-FITC and Propidium Iodide (PI) staining followed by flow cytometry.

Materials:

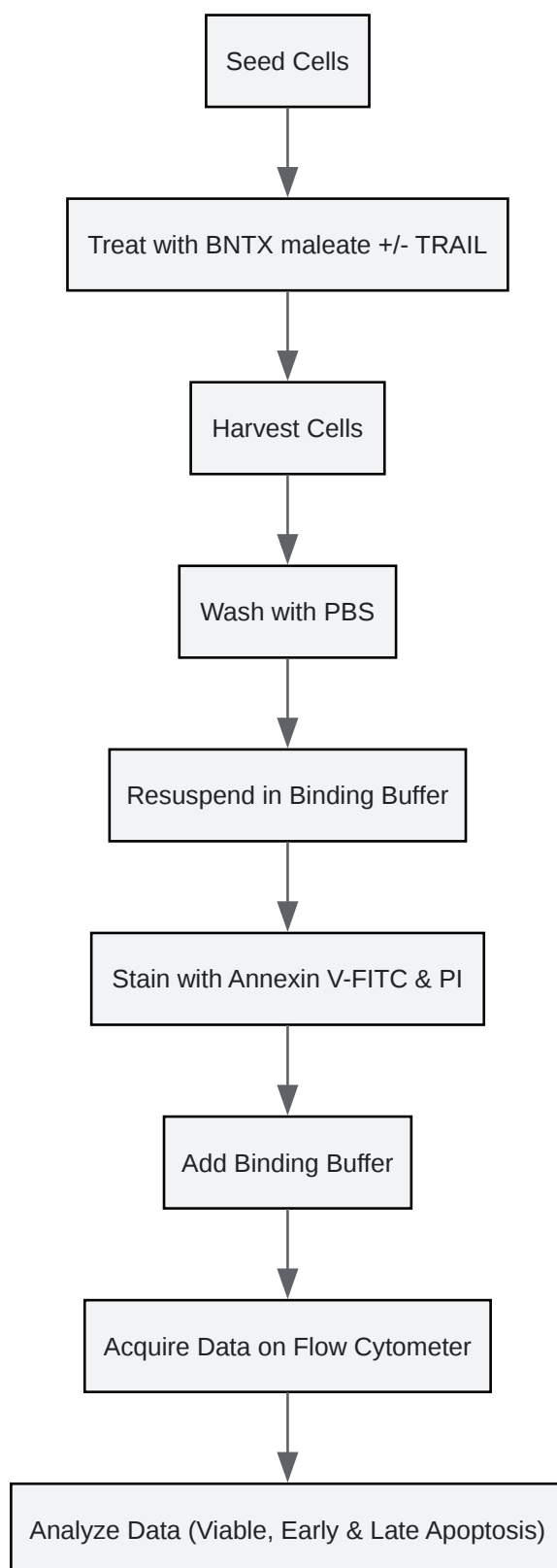
- **BNTX maleate**
- Annexin V-FITC Apoptosis Detection Kit (containing Annexin V-FITC, Propidium Iodide, and Binding Buffer)
- Phosphate-Buffered Saline (PBS)

- Cell culture medium
- 6-well plates
- Flow cytometer

Procedure:

- Cell Seeding: Seed cells in 6-well plates at a density that will allow them to reach 70-80% confluency at the time of treatment.
- Treatment: Treat cells with the desired concentrations of **BNTX maleate**, TRAIL, or a combination of both. Include an untreated control. Incubate for the desired period (e.g., 24 hours).
- Cell Harvesting:
 - For adherent cells, gently wash with PBS and detach using a non-enzymatic cell dissociation solution to maintain cell membrane integrity. Collect the cells by centrifugation.
 - For suspension cells, collect the cells directly by centrifugation.
- Washing: Wash the cells twice with ice-cold PBS by centrifugation at 300 x g for 5 minutes.
- Staining:
 - Resuspend the cell pellet in 1X Binding Buffer at a concentration of 1×10^6 cells/mL.
 - Transfer 100 μ L of the cell suspension (1×10^5 cells) to a flow cytometry tube.
 - Add 5 μ L of Annexin V-FITC and 5 μ L of PI.
 - Gently vortex and incubate for 15 minutes at room temperature in the dark.
- Sample Preparation for Flow Cytometry: Add 400 μ L of 1X Binding Buffer to each tube.

- **Data Acquisition:** Analyze the samples on a flow cytometer immediately. Excite FITC at 488 nm and detect emission at ~530 nm. Excite PI at 488 nm and detect emission at >670 nm.
- **Data Analysis:** Use appropriate software to analyze the flow cytometry data. The cell populations can be distinguished as follows:
 - Viable cells: Annexin V-negative and PI-negative
 - Early apoptotic cells: Annexin V-positive and PI-negative
 - Late apoptotic/necrotic cells: Annexin V-positive and PI-positive



[Click to download full resolution via product page](#)

Caption: Apoptosis Analysis Workflow.

Protocol 2: Cell Cycle Analysis by Propidium Iodide Staining

This protocol details the analysis of cell cycle distribution in **BNTX maleate**-treated cells using PI staining and flow cytometry.

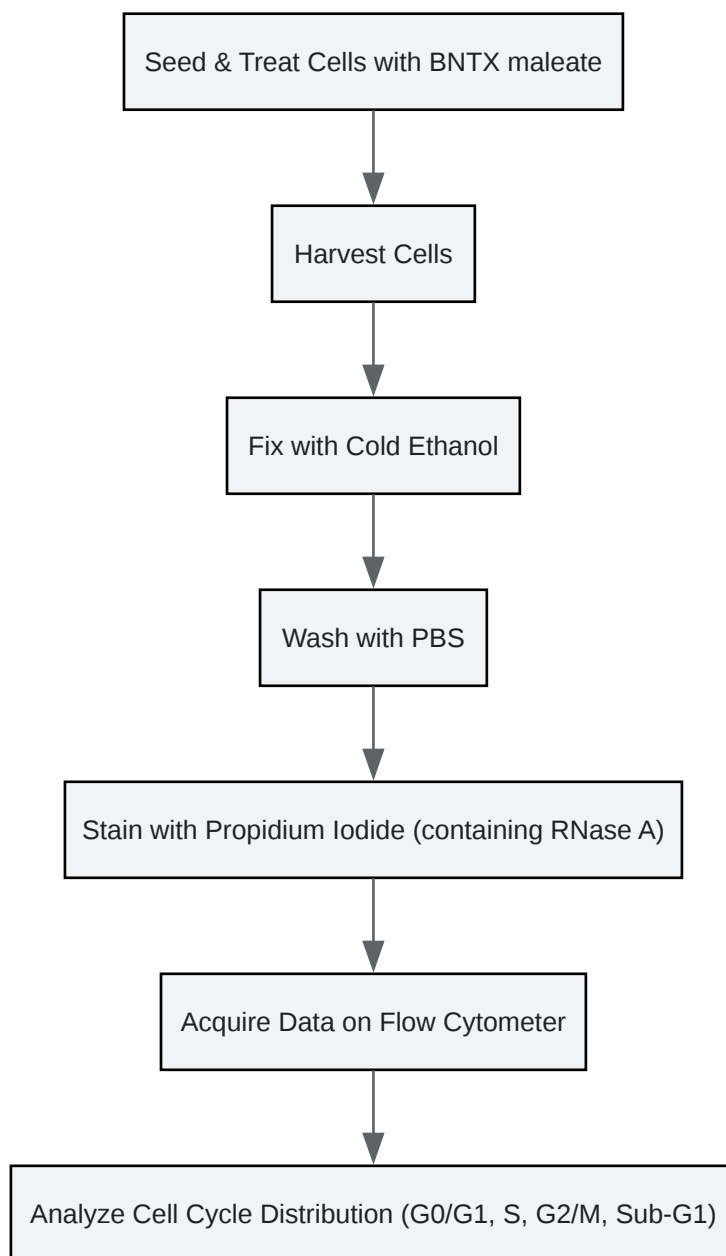
Materials:

- **BNTX maleate**
- Phosphate-Buffered Saline (PBS)
- 70% Ethanol (ice-cold)
- Propidium Iodide (PI) staining solution (containing RNase A)
- Cell culture medium
- 6-well plates
- Flow cytometer

Procedure:

- Cell Seeding and Treatment: Follow steps 1 and 2 from Protocol 1.
- Cell Harvesting: Harvest both adherent and floating cells to include the apoptotic population.
- Fixation:
 - Wash the cells with PBS and resuspend the pellet in a small volume of PBS.
 - While vortexing gently, add ice-cold 70% ethanol dropwise to fix the cells.
 - Incubate at -20°C for at least 2 hours (or overnight).
- Staining:
 - Centrifuge the fixed cells at a higher speed (e.g., 500 x g) and discard the ethanol.

- Wash the cell pellet with PBS.
- Resuspend the cell pellet in PI staining solution.
- Incubate for 30 minutes at room temperature in the dark.
- Data Acquisition: Analyze the samples on a flow cytometer. Use a low flow rate for better resolution.
- Data Analysis: Use cell cycle analysis software to model the DNA content histogram and determine the percentage of cells in the G0/G1, S, and G2/M phases of the cell cycle. A sub-G1 peak, representing apoptotic cells with fragmented DNA, may also be quantified.



[Click to download full resolution via product page](#)

Caption: Cell Cycle Analysis Workflow.

Conclusion

The provided application notes and protocols offer a comprehensive guide for researchers investigating the effects of **BNTX maleate** on apoptosis and cell cycle progression using flow cytometry. The detailed methodologies and the elucidation of the underlying signaling pathway

will facilitate further studies into the therapeutic potential of this compound. The quantitative data presented serves as a valuable reference for experimental design and data interpretation.

Need Custom Synthesis?

BenchChem offers custom synthesis for rare earth carbides and specific isotopic labeling.

Email: info@benchchem.com or [Request Quote Online](#).

References

- [1. benchchem.com \[benchchem.com\]](https://www.benchchem.com)
- To cite this document: BenchChem. [BNTX Maleate: Application Notes and Protocols for Flow Cytometry Analysis]. BenchChem, [2026]. [Online PDF]. Available at: [\[https://www.benchchem.com/product/b1139516/docs#bntx-maleate-application-notes-and-protocols-for-flow-cytometry-analysis\]](https://www.benchchem.com/product/b1139516/docs#bntx-maleate-application-notes-and-protocols-for-flow-cytometry-analysis)

Disclaimer & Data Validity:

The information provided in this document is for Research Use Only (RUO) and is strictly not intended for diagnostic or therapeutic procedures. While BenchChem strives to provide accurate protocols, we make no warranties, express or implied, regarding the fitness of this product for every specific experimental setup.

Technical Support: The protocols provided are for reference purposes. Unsure if this reagent suits your experiment?

Need Industrial/Bulk Grade? [Request Custom Synthesis Quote](#)

BenchChem

Our mission is to be the trusted global source of essential and advanced chemicals, empowering scientists and researchers to drive progress in science and industry.

Contact

Address: 3281 E Guasti Rd

Ontario, CA 91761, United States

Phone: (601) 213-4426

Email: info@benchchem.com

Contact our Ph.D. Support Team for a compatibility check