

# Application Notes and Protocols for NF023 Hexasodium in Neuroscience Research

**Author:** BenchChem Technical Support Team. **Date:** April 2026

## Compound of Interest

Compound Name: NF023 hexasodium

CAS No.: 104869-31-0

Cat. No.: B1139560

[Get Quote](#)

For Researchers, Scientists, and Drug Development Professionals

These application notes provide a comprehensive overview of **NF023 hexasodium**, a valuable pharmacological tool for investigating purinergic signaling in the nervous system. This document details its mechanism of action, selectivity, and potential applications, along with a detailed protocol for its use in electrophysiological experiments.

## Introduction

**NF023 hexasodium** is a suramin analogue that functions as a selective and competitive antagonist for the P2X1 purinergic receptor.[1] P2X receptors are ATP-gated ion channels that play crucial roles in a variety of physiological processes, including neurotransmission, neuroinflammation, and pain signaling. The subtype-selectivity of NF023 makes it a powerful tool for dissecting the specific contributions of P2X1 receptors in complex biological systems.

## Mechanism of Action

NF023 acts as a competitive and reversible antagonist at P2X1 receptors.[1] It competes with the endogenous agonist, adenosine triphosphate (ATP), for binding to the receptor, thereby

preventing the conformational changes required for channel opening and subsequent cation influx. Studies have shown that NF023 causes a rightward shift in the ATP concentration-response curve without affecting the maximal response, which is characteristic of competitive antagonism.[2]

Beyond its primary target, NF023 has also been shown to selectively inhibit the  $\alpha$ -subunit of Go/Gi proteins, with an EC50 in the nanomolar range. This potential for off-target effects should be considered when designing and interpreting experiments.

## Quantitative Data Summary

The following table summarizes the inhibitory potency of **NF023 hexasodium** across various P2X receptor subtypes and its effect on G-proteins.

Target	Species	Assay Type	IC50 / EC50	Reference
P2X1 Receptor	Human	Electrophysiology	0.21 $\mu$ M (IC50)	[1]
P2X1 Receptor	Rat	Electrophysiology	0.24 $\mu$ M (IC50)	[2]
P2X3 Receptor	Human	Electrophysiology	28.9 $\mu$ M (IC50)	[1][2]
P2X3 Receptor	Rat	Electrophysiology	8.5 $\mu$ M (IC50)	[2]
P2X2 Receptor	Human	Electrophysiology	> 50 $\mu$ M (IC50)	[1][2]
P2X4 Receptor	Human	Electrophysiology	> 100 $\mu$ M (IC50)	[1][2]
Go/Gi $\alpha$ -subunit	-	GTPyS binding	~300 nM (EC50)	

## Applications in Neuroscience Research

NF023's selectivity for P2X1 receptors makes it a valuable tool for investigating a range of neurological processes.

- **Pain Perception:** P2X receptors, including P2X1, are implicated in nociceptive signaling.[3][4] NF023 can be used to investigate the specific role of P2X1 receptors in the transmission and modulation of pain signals in both peripheral and central nervous systems.
- **Neuroinflammation:** Microglia and astrocytes express P2X receptors and their activation can trigger the release of inflammatory mediators.[5][6] NF023 can be employed to study the involvement of P2X1-mediated signaling in neuroinflammatory processes associated with neurodegenerative diseases and injury.
- **Synaptic Transmission and Plasticity:** ATP is released at synapses and can modulate neuronal activity through P2X receptors. While the role of NF-κB in synaptic plasticity is established[7][8][9], the specific contribution of P2X1 receptor-mediated signaling in synaptic transmission and plasticity is an active area of research. NF023 can be used to pharmacologically isolate and study the contribution of these receptors to synaptic events.

## Experimental Protocols

### Protocol 1: Electrophysiological Characterization of P2X1 Receptor Antagonism

This protocol is adapted for the use of NF023 and is based on standard whole-cell patch-clamp recording techniques in cultured neurons or heterologous expression systems (e.g., HEK cells or *Xenopus* oocytes).

Materials:

- **NF023 hexasodium** stock solution (10 mM in sterile water)
- Cultured neurons or cells expressing P2X1 receptors
- External solution (in mM): 140 NaCl, 5 KCl, 2 CaCl<sub>2</sub>, 1 MgCl<sub>2</sub>, 10 HEPES, 10 glucose (pH 7.4 with NaOH)
- Internal solution (in mM): 140 KCl, 1 MgCl<sub>2</sub>, 10 HEPES, 1 EGTA, 2 Mg-ATP (pH 7.2 with KOH)
- ATP stock solution (10 mM in external solution)

- Patch-clamp rig with amplifier, micromanipulator, and data acquisition system
- Borosilicate glass capillaries for pipette pulling

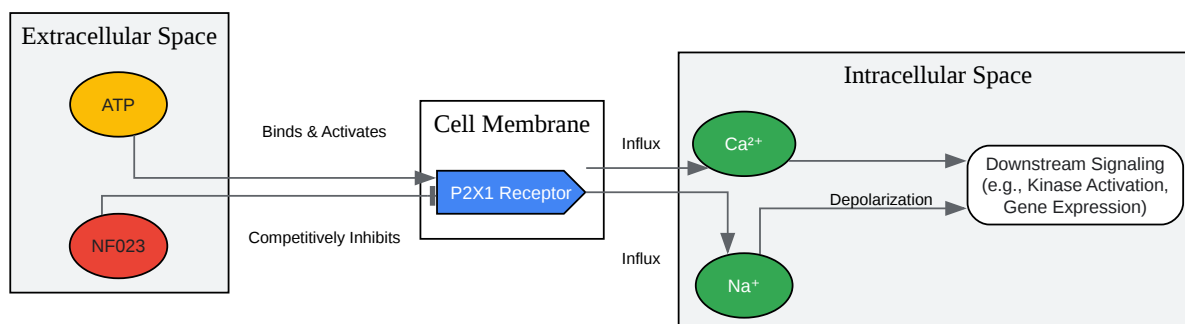
Procedure:

- Cell Preparation: Plate cells at an appropriate density on coverslips 24-48 hours before the experiment.
- Stock Solution Preparation: Prepare a 10 mM stock solution of **NF023 hexasodium** in sterile water. Aliquot and store at -20°C. On the day of the experiment, dilute the stock solution in the external solution to the desired final concentrations (e.g., 0.1, 0.3, 1, 3, 10 μM).
- Pipette Preparation: Pull borosilicate glass capillaries to a resistance of 3-5 MΩ when filled with the internal solution.
- Whole-Cell Recording:
  - Transfer a coverslip with cells to the recording chamber on the microscope stage and perfuse with external solution.
  - Approach a cell with the patch pipette and form a gigaohm seal.
  - Rupture the cell membrane to achieve the whole-cell configuration.
  - Clamp the cell at a holding potential of -60 mV.
- Data Acquisition:
  - Baseline: Perfuse the cell with the external solution and establish a stable baseline recording.
  - Agonist Application: Apply a concentration of ATP that elicits a submaximal response (e.g., EC50) for a short duration (2-5 seconds) to evoke an inward current. Wash out the ATP with the external solution until the current returns to baseline. Repeat this step 2-3 times to ensure a stable response.

- Antagonist Application: Perfuse the cell with the desired concentration of NF023 for 2-5 minutes to allow for receptor equilibration.
- Co-application: While continuing to perfuse with NF023, co-apply the same concentration of ATP as in step 5b.
- Washout: Wash out both NF023 and ATP with the external solution.
- Data Analysis:
  - Measure the peak amplitude of the ATP-evoked current in the absence and presence of NF023.
  - Calculate the percentage of inhibition for each concentration of NF023.
  - Plot the percentage of inhibition against the logarithm of the NF023 concentration to generate a concentration-response curve and determine the IC50 value.

## Visualizations

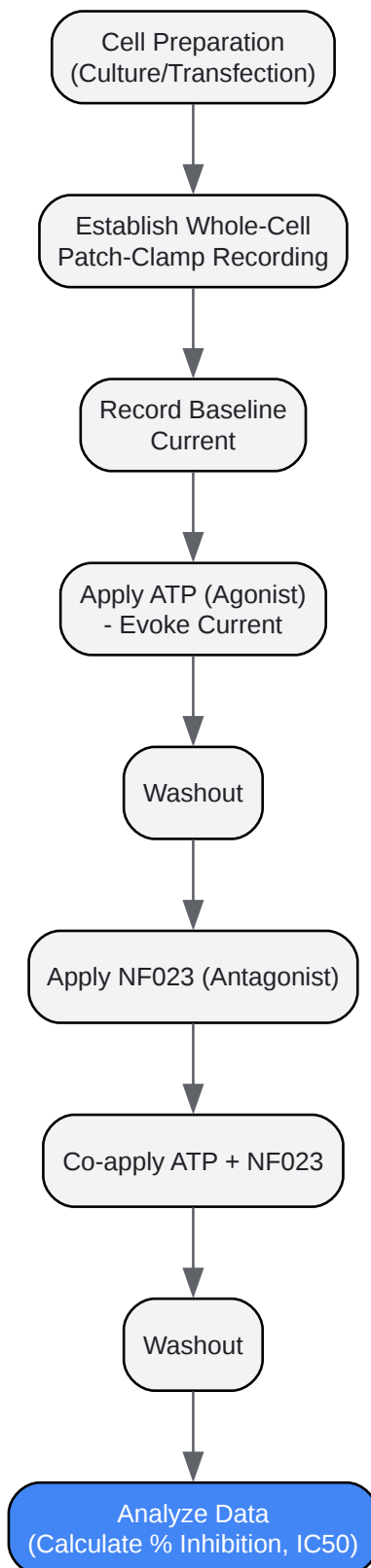
### Signaling Pathway Diagram



[Click to download full resolution via product page](#)

Caption: P2X1 receptor signaling and inhibition by NF023.

## Experimental Workflow Diagram



[Click to download full resolution via product page](#)

Caption: Workflow for electrophysiological analysis.

### Need Custom Synthesis?

BenchChem offers custom synthesis for rare earth carbides and specific isotopic labeling.

Email: [info@benchchem.com](mailto:info@benchchem.com) or [Request Quote Online](#).

## References

- [1. benchchem.com \[benchchem.com\]](https://www.benchchem.com)
- [2. Antagonistic properties of the suramin analogue NF023 at heterologously expressed P2X receptors - PubMed \[pubmed.ncbi.nlm.nih.gov\]](#)
- [3. P2X receptor antagonists for pain management: examination of binding and physicochemical properties - PubMed \[pubmed.ncbi.nlm.nih.gov\]](#)
- [4. P2X receptor antagonists for pain management: examination of binding and physicochemical properties - PMC \[pmc.ncbi.nlm.nih.gov\]](#)
- [5. A new nano-encapsulated TSPO ligand reduces neuroinflammation and improves cognitive functions in Alzheimer's disease model - PMC \[pmc.ncbi.nlm.nih.gov\]](#)
- [6. Neuroinflammation Contributes to High Salt Intake-Augmented Neuronal Activation and Active Coping Responses to Acute Stress - PMC \[pmc.ncbi.nlm.nih.gov\]](#)
- [7. Transcriptional Control of Synaptic Plasticity by Transcription Factor NF- \$\kappa\$ B - PMC \[pmc.ncbi.nlm.nih.gov\]](#)
- [8. pure.johnshopkins.edu \[pure.johnshopkins.edu\]](https://pure.johnshopkins.edu)
- [9. NF- \$\kappa\$ B/Rel Regulates Inhibitory and Excitatory Neuronal Function and Synaptic Plasticity - PMC \[pmc.ncbi.nlm.nih.gov\]](#)
- To cite this document: BenchChem. [Application Notes and Protocols for NF023 Hexasodium in Neuroscience Research]. BenchChem, [2026]. [Online PDF]. Available at: [\[https://www.benchchem.com/product/b1139560/docs#application-notes-and-protocols-for-nf023-hexasodium-in-neuroscience-research\]](https://www.benchchem.com/product/b1139560/docs#application-notes-and-protocols-for-nf023-hexasodium-in-neuroscience-research)

---

### Disclaimer & Data Validity:

The information provided in this document is for Research Use Only (RUO) and is strictly not intended for diagnostic or therapeutic procedures. While BenchChem strives to provide

accurate protocols, we make no warranties, express or implied, regarding the fitness of this product for every specific experimental setup.

**Technical Support:** The protocols provided are for reference purposes. Unsure if this reagent suits your experiment?

**Need Industrial/Bulk Grade?** [Request Custom Synthesis Quote](#)

## BenchChem

Our mission is to be the trusted global source of essential and advanced chemicals, empowering scientists and researchers to drive progress in science and industry.

### Contact

Address: 3281 E Guasti Rd

Ontario, CA 91761, United States

Phone: (601) 213-4426

Email: [info@benchchem.com](mailto:info@benchchem.com)

[Contact our Ph.D. Support Team for a compatibility check](#)