

Orthogonal Validation of NICE-01 Mediated Transcriptional Changes: A Comparative Guide

Author: BenchChem Technical Support Team. **Date:** April 2026

Compound of Interest

Compound Name: NICE-01
Cat. No.: B10862022

[Get Quote](#)

For Researchers, Scientists, and Drug Development Professionals

This guide provides a comparative analysis of methods for the orthogonal validation of transcriptional changes mediated by **NICE-01**, a bifunctional small molecule designed to induce the nuclear import of target proteins. Ensuring the reliability of transcriptomic data is paramount in drug discovery and basic research. Orthogonal validation, the practice of using multiple, independent methods to verify experimental results, is a critical step to build confidence in findings from high-throughput screens like RNA sequencing (RNA-seq).

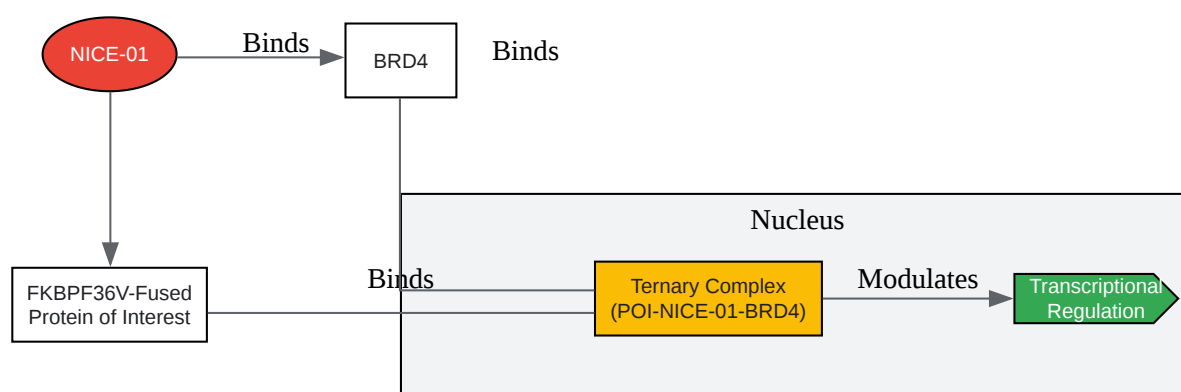
NICE-01 (Nuclear Import and Control of Expression compound 1) operates by forming a ternary complex between a cytosolic protein fused to a mutant FKBP domain (FKBPF36V) and the nuclear bromodomain-containing protein 4 (BRD4). This action relocalizes the cytosolic protein to the nucleus, potentially altering gene transcription. The JQ1 component of **NICE-01** is a known inhibitor of the BET (Bromodomain and Extra-Terminal) family of proteins, including BRD4, which itself has profound effects on transcription, notably through the downregulation of oncogenes like MYC.

This guide will compare data from a primary transcriptomic screen (RNA-seq) with common orthogonal validation techniques, including quantitative PCR (qPCR) for messenger RNA

(mRNA) level validation, Western blotting for protein-level confirmation, and functional assays to verify the biological consequences of these transcriptional alterations.

NICE-01 Mechanism of Action

The **NICE-01** molecule leverages the nuclear localization of BRD4 to transport a cytosolic protein of interest into the nucleus. This translocation can initiate or alter transcriptional programs depending on the nature of the imported protein.



[Click to download full resolution via product page](#)

Figure 1. Mechanism of **NICE-01**-mediated nuclear import and transcriptional regulation.

Data Presentation: Comparing Transcriptomic Data

A primary screen, such as RNA-seq, provides a global view of transcriptional changes. However, it is essential to validate these findings. Below is a comparison of hypothetical RNA-seq data for genes commonly affected by the JQ1 component of **NICE-01**, alongside data from orthogonal validation methods.

Table 1: mRNA Level Validation - RNA-seq vs. Quantitative PCR (qPCR)

This table compares the log₂ fold change in gene expression detected by RNA-seq with results from qPCR. A strong correlation between the two methods increases confidence in the

transcript-level changes.

Gene Symbol	RNA-seq (Log2 Fold Change)	qPCR (Log2 Fold Change)	Validation Status
MYC	-1.58	-1.49	Confirmed
BCL2	-1.21	-1.15	Confirmed
FOSL1	-1.89	-2.01	Confirmed
CFLAR	-1.44	-1.38	Confirmed
P21	1.05	1.12	Confirmed
AREG	0.95	0.88	Confirmed

Table 2: Protein Level Validation - mRNA Fold Change vs. Western Blot

Validating that changes in mRNA levels translate to corresponding changes in protein expression is a crucial orthogonal step. Western blotting provides semi-quantitative data on protein abundance.^{[1][2]}

Gene Symbol	RNA-seq (Log2 Fold Change)	Western Blot (Relative Protein Level Change)	Validation Status
MYC	-1.58	Significant Decrease	Confirmed
BCL2	-1.21	Decrease	Confirmed
P21	1.05	Increase	Confirmed

Table 3: Functional Validation - Gene Expression vs. Cell Viability Assay

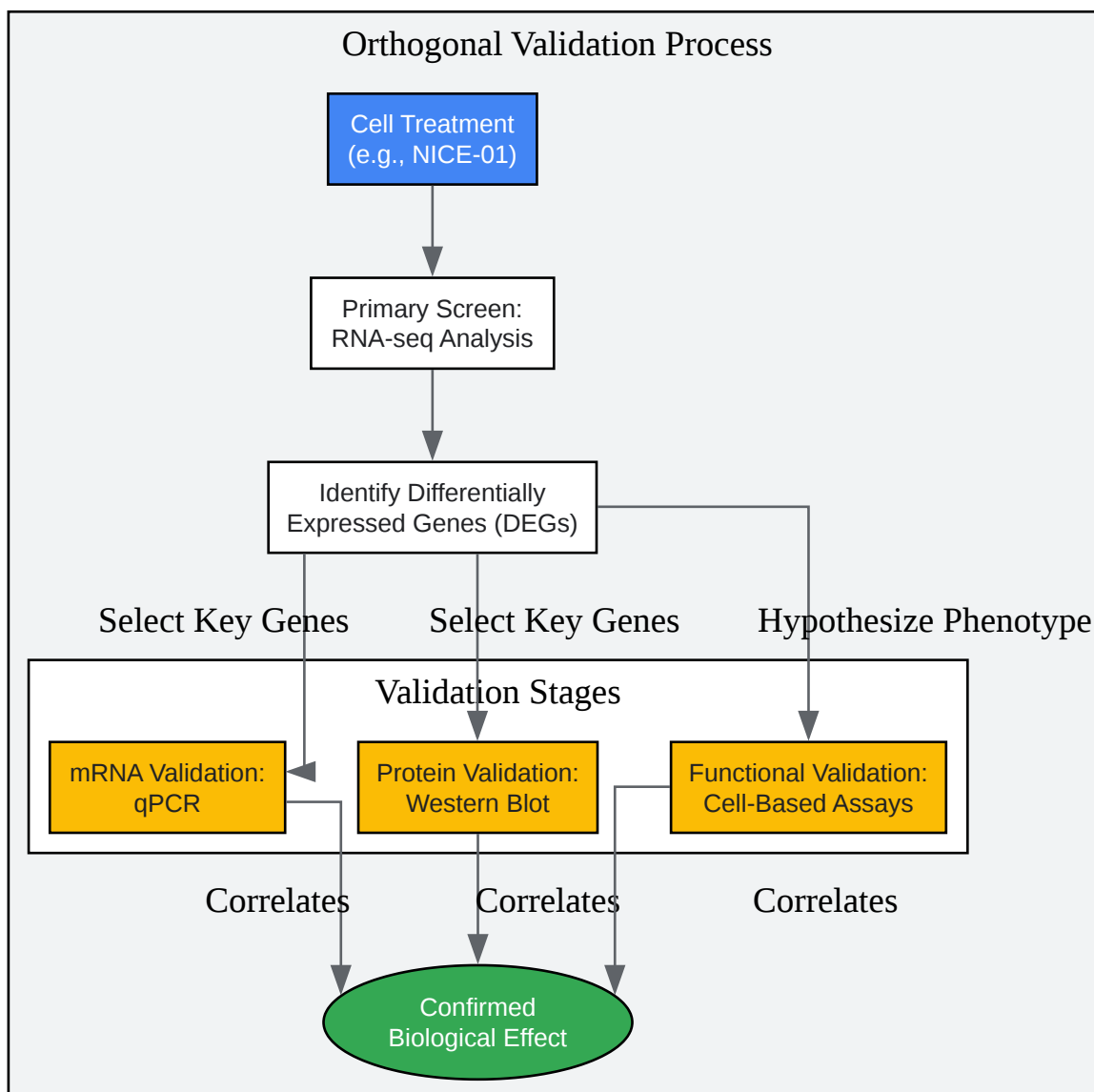
Connecting transcriptional changes to a cellular phenotype provides the highest level of validation. Since genes like MYC and BCL2 are involved in cell proliferation and survival, a cell

viability assay can serve as a functional readout.

Assay Type	Condition	Observed Effect	Interpretation
Cell Viability (MTT)	Control (DMSO)	Baseline Proliferation	Normal cell growth.
Cell Viability (MTT)	NICE-01	45% Reduction in Cell Viability after 72h	Consistent with downregulation of pro-proliferative genes (MYC, BCL2).[3]

Orthogonal Validation Workflow

A systematic workflow ensures that results from high-throughput screening are rigorously validated through multiple independent techniques before drawing final conclusions.



[Click to download full resolution via product page](#)

Figure 2. A typical workflow for orthogonal validation of transcriptomic data.

Experimental Protocols

Detailed methodologies are crucial for the reproducibility of validation experiments.

Quantitative PCR (qPCR) Protocol

This protocol is used to validate the expression levels of specific mRNAs identified by RNA-seq.

- **RNA Isolation:** Total RNA is extracted from cells treated with **NICE-01** or a vehicle control (e.g., DMSO) using a TRIzol-based method or a commercial kit. RNA quality and quantity are assessed using a spectrophotometer (e.g., NanoDrop) and capillary electrophoresis (e.g., Bioanalyzer).
- **cDNA Synthesis:** 1-2 µg of total RNA is reverse transcribed into complementary DNA (cDNA) using a reverse transcriptase enzyme and a mix of oligo(dT) and random hexamer primers.
- **qPCR Reaction:** The qPCR reaction is set up in triplicate for each gene of interest and a housekeeping gene (e.g., GAPDH, ACTB) for normalization. The reaction mixture contains cDNA template, forward and reverse primers specific to the target gene, and a SYBR Green-based qPCR master mix.
- **Data Analysis:** The cycle threshold (Ct) values are obtained. The relative gene expression is calculated using the $2^{-\Delta\Delta Ct}$ method, where the data is normalized to the housekeeping gene and relative to the vehicle control.

Western Blot Protocol

This method validates if changes in mRNA levels result in corresponding changes at the protein level.[\[2\]](#)[\[4\]](#)

- **Protein Extraction:** Cells are lysed in RIPA buffer supplemented with protease and phosphatase inhibitors. The total protein concentration is determined using a BCA or Bradford assay.
- **SDS-PAGE:** Equal amounts of protein (e.g., 20-40 µg) are denatured, loaded onto a polyacrylamide gel, and separated by size via sodium dodecyl sulfate-polyacrylamide gel electrophoresis (SDS-PAGE).
- **Protein Transfer:** The separated proteins are transferred from the gel to a polyvinylidene difluoride (PVDF) or nitrocellulose membrane.
- **Blocking and Antibody Incubation:** The membrane is blocked with 5% non-fat milk or bovine serum albumin (BSA) in Tris-buffered saline with Tween 20 (TBST) for 1 hour at room temperature. The membrane is then incubated overnight at 4°C with a primary antibody specific to the protein of interest.

- **Secondary Antibody and Detection:** After washing with TBST, the membrane is incubated with a horseradish peroxidase (HRP)-conjugated secondary antibody for 1 hour at room temperature. The protein bands are visualized using an enhanced chemiluminescence (ECL) substrate and an imaging system. A loading control protein (e.g., β -actin, GAPDH) is used to ensure equal protein loading.

Cell Viability (MTT) Assay Protocol

This functional assay measures the metabolic activity of cells, which is often proportional to the number of viable cells, to assess the phenotypic effect of the observed transcriptional changes.

- **Cell Seeding:** Cells are seeded in a 96-well plate at a predetermined density and allowed to adhere overnight.
- **Compound Treatment:** Cells are treated with various concentrations of **NICE-01** or a vehicle control for a specified period (e.g., 24, 48, 72 hours).
- **MTT Reagent Addition:** After the treatment period, MTT (3-(4,5-dimethylthiazol-2-yl)-2,5-diphenyltetrazolium bromide) reagent is added to each well and incubated for 2-4 hours at 37°C. Viable cells with active metabolism convert the MTT into a purple formazan product.
- **Solubilization and Measurement:** A solubilizing agent (e.g., DMSO or a specialized detergent) is added to dissolve the formazan crystals. The absorbance is then measured at a specific wavelength (e.g., 570 nm) using a microplate reader.
- **Data Analysis:** The absorbance values are normalized to the vehicle control to determine the percentage of cell viability. The results can be used to calculate an IC₅₀ value (the concentration of a drug that gives half-maximal inhibitory response).

Need Custom Synthesis?

BenchChem offers custom synthesis for rare earth carbides and specific isotopic labeling.

Email: info@benchchem.com or [Request Quote Online](#).

References

- [1. researchgate.net \[researchgate.net\]](https://www.researchgate.net)
- [2. The bromodomain inhibitor JQ1 up-regulates the long non-coding RNA MALAT1 in cultured human hepatic carcinoma cells - PMC \[pmc.ncbi.nlm.nih.gov\]](https://pubmed.ncbi.nlm.nih.gov/)
- [3. benchchem.com \[benchchem.com\]](https://www.benchchem.com)
- [4. Early inhibition of BRD4 facilitates iPSC reprogramming via accelerating rDNA dynamic expression - PMC \[pmc.ncbi.nlm.nih.gov\]](https://pubmed.ncbi.nlm.nih.gov/)
- To cite this document: BenchChem. [Orthogonal Validation of NICE-01 Mediated Transcriptional Changes: A Comparative Guide]. BenchChem, [2026]. [Online PDF]. Available at: [<https://www.benchchem.com/product/b10862022/docs#orthogonal-validation-of-nice-01-mediated-transcriptional-changes-a-comparative-guide>]

Disclaimer & Data Validity:

The information provided in this document is for Research Use Only (RUO) and is strictly not intended for diagnostic or therapeutic procedures. While BenchChem strives to provide accurate protocols, we make no warranties, express or implied, regarding the fitness of this product for every specific experimental setup.

Technical Support: The protocols provided are for reference purposes. Unsure if this reagent suits your experiment?

Need Industrial/Bulk Grade? [Request Custom Synthesis Quote](#)

BenchChem

Our mission is to be the trusted global source of essential and advanced chemicals, empowering scientists and researchers to drive progress in science and industry.

Contact

Address: 3281 E Guasti Rd
Ontario, CA 91761, United States
Phone: (601) 213-4426
Email: info@benchchem.com

Contact our Ph.D. Support Team for a compatibility check