

TMX-4153: A Comparative Analysis of Specificity and Selectivity

Author: BenchChem Technical Support Team. **Date:** April 2026

Compound of Interest

Compound Name: TMX-4153

Cat. No.: B10861552

[Get Quote](#)

In the landscape of targeted protein degradation, **TMX-4153** has emerged as a potent and selective degrader of Phosphatidylinositol 5-Phosphate 4-Kinase Type-2 Gamma (PIP4K2C), a lipid kinase implicated in immune modulation and autophagy. This guide provides a detailed comparison of **TMX-4153** with an alternative PIP4K2C degrader, LRK-A, supported by experimental data to aid researchers and drug development professionals in their evaluation.

Executive Summary

TMX-4153 is a highly selective proteolysis-targeting chimera (PROTAC) that induces the degradation of PIP4K2C. Experimental data demonstrates its exclusive selectivity in broad kinase panels and proteome-wide analyses. When compared to another known PIP4K2C degrader, LRK-A, both molecules show high potency and selectivity. **TMX-4153** exhibits a DC50 of 24 nM in MOLT4 cells, while LRK-A displays subnanomolar potency in primary human peripheral blood mononuclear cells (PBMCs). The choice between these molecules may depend on the specific cellular context and desired kinetic properties. For PIP4K2C, a protein whose scaffolding function is considered more critical than its kinase activity, targeted degradation represents a more effective therapeutic strategy than inhibition.

Performance Comparison: TMX-4153 vs. LRK-A

The following tables summarize the quantitative data for **TMX-4153** and its competitor, LRK-A, highlighting their degradation potency, selectivity, and target engagement.

Table 1: Degradation Potency (DC50 & Dmax)

Compound	Cell Line	DC50	Dmax	Citation
TMX-4153	MOLT4	24 nM	91% (at 1 μ M)	[1]
HAP1		361 nM	59%	[1]
LRK-A	Human PBMCs	0.3 nM	78%	[2]
	Dog PBMCs	3.5 nM	84%	[2]
	Mouse PBMCs	5.1 nM	84%	[2]
	Rat PBMCs	7.5 nM	70%	[2]
LRK-4189*	MOLT-4	< 500 nM	Not Reported	[3]

Note: LRK-4189 is reported as a first-in-class degrader of PIP4K2C from the same discovery program as LRK-A and is likely the same or a closely related compound.

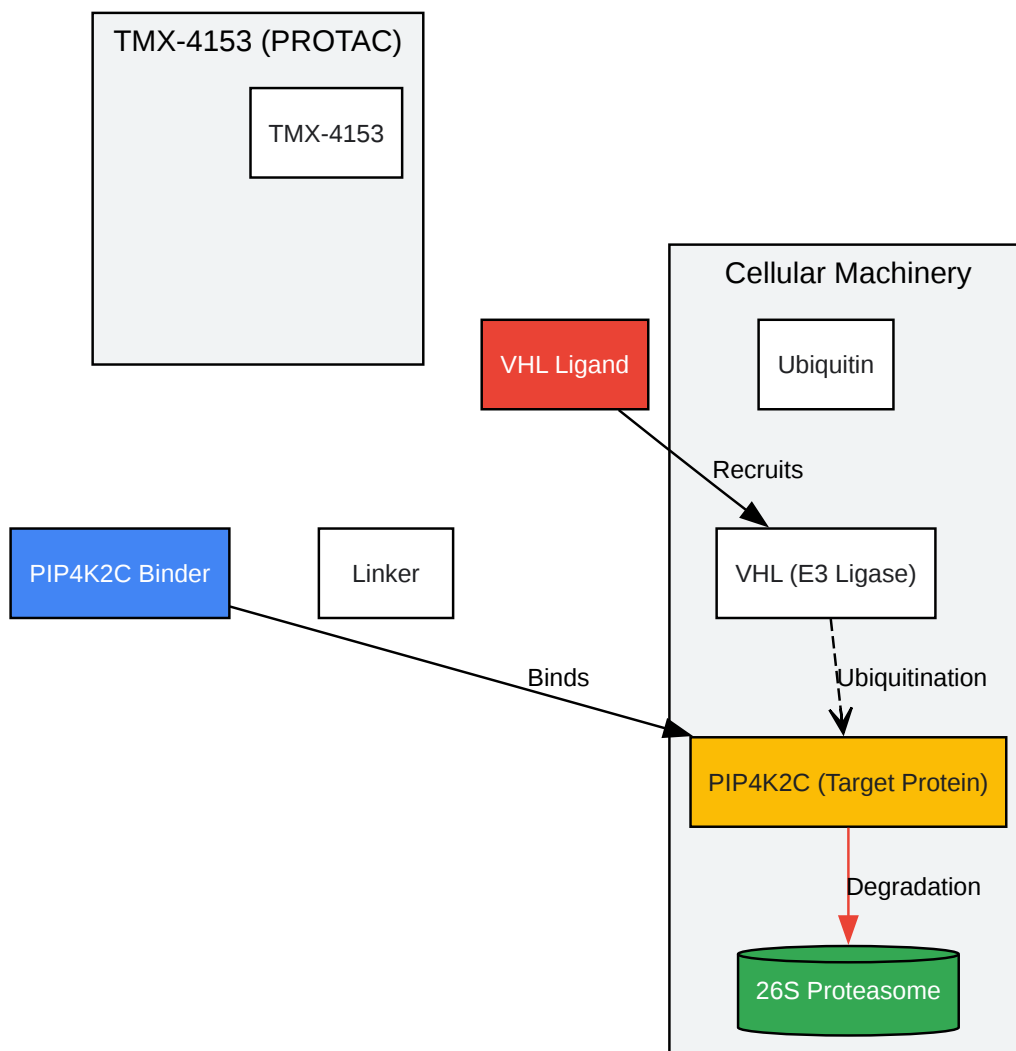
Table 2: Specificity and Selectivity

Compound	Assay	Results	Citation
TMX-4153	KINOMEscan (1 μ M)	Exclusive selectivity for PIP4K2C.	[1]
Quantitative Proteomics (MOLT4 cells, 1 μ M)	Exclusive degradation of PIP4K2C.	[1]	
VHL Engagement (cellular)	IC50 = 16.7 μ M	[1]	
Binding Affinity (Kd for PIP4K2C)	61 nM	[1]	
LRK-A	Whole-cell Proteomics	Fully selective for PIP4K2C; no degradation of SALL4 or GSPT1.	[2][4][5]
Kinase Selectivity Panel	Selective against >100 kinases.	[2]	

Signaling and Experimental Workflow Diagrams

The following diagrams illustrate the mechanism of action for PROTAC-mediated degradation of PIP4K2C and the workflows for key experimental assays used to characterize these molecules.

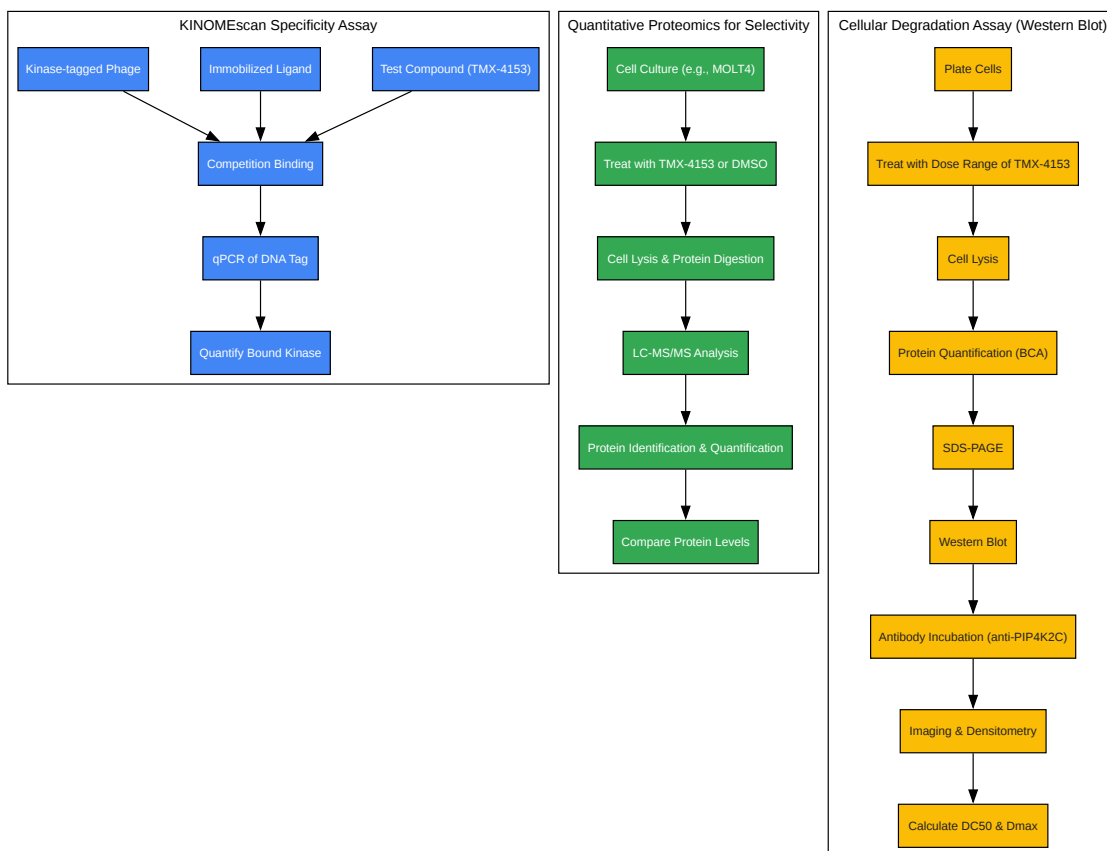
PROTAC-Mediated Degradation of PIP4K2C



[Click to download full resolution via product page](#)

TMX-4153 Mechanism of Action

Key Experimental Workflows



[Click to download full resolution via product page](#)

Workflows for Specificity and Degradation Assays

Detailed Experimental Protocols

The following are generalized protocols for the key experiments cited in this guide. Specific parameters may vary based on the exact reagents and equipment used.

KINOMEScan Profiling

This assay is typically performed as a service by specialized vendors. The principle is a competition binding assay.

- **Assay Components:** A DNA-tagged kinase, an immobilized ligand that binds to the kinase active site, and the test compound (e.g., **TMX-4153**).
- **Competition:** The test compound is incubated with the kinase-tagged phage and the immobilized ligand. The compound competes with the immobilized ligand for binding to the kinase.
- **Quantification:** The amount of kinase bound to the immobilized ligand is determined by quantifying the associated DNA tag using quantitative PCR (qPCR). A lower amount of bound kinase indicates stronger binding of the test compound.
- **Data Analysis:** Results are often reported as percent of DMSO control or as a dissociation constant (K_d) to quantify binding affinity. Selectivity is visualized using a TREEspot™ diagram.

Quantitative Proteomics (for Degradation Selectivity)

This method is used to assess the entire proteome for off-target degradation.

- **Cell Culture and Treatment:** MOLT4 cells are cultured and treated with the test compound (e.g., 1 μ M **TMX-4153**) and a vehicle control (DMSO) for a specified time (e.g., 5 hours).
- **Cell Lysis and Protein Digestion:** Cells are harvested, lysed, and the proteins are extracted. The protein mixture is then digested into peptides, typically using trypsin.
- **LC-MS/MS Analysis:** The resulting peptide mixture is separated by liquid chromatography (LC) and analyzed by tandem mass spectrometry (MS/MS). The mass spectrometer measures the mass-to-charge ratio of the peptides and their fragments.

- **Protein Identification and Quantification:** The MS/MS data is used to identify the sequence of the peptides and, by extension, the proteins they originated from. The abundance of each protein is quantified by comparing the signal intensity of its corresponding peptides between the **TMX-4153**-treated and DMSO-treated samples.
- **Data Analysis:** Proteins showing a significant decrease in abundance in the treated sample are identified as degradation targets.

Cellular Degradation Assay (Western Blot)

This is a standard method to quantify the degradation of a specific target protein.

- **Cell Plating and Treatment:** Cells (e.g., MOLT4 or HAP1) are plated at an appropriate density. The following day, cells are treated with a serial dilution of the degrader (e.g., 0.01 to 1 μ M **TMX-4153**) for a set time (e.g., 6 hours).
- **Lysate Preparation:** After treatment, cells are washed with ice-cold PBS and lysed with a suitable buffer (e.g., RIPA buffer) containing protease and phosphatase inhibitors.
- **Protein Quantification:** The total protein concentration in each lysate is determined using a method like the BCA assay to ensure equal loading.
- **SDS-PAGE and Transfer:** Equal amounts of protein from each sample are separated by size using sodium dodecyl sulfate-polyacrylamide gel electrophoresis (SDS-PAGE) and then transferred to a membrane (e.g., PVDF or nitrocellulose).
- **Immunoblotting:** The membrane is blocked to prevent non-specific antibody binding and then incubated with a primary antibody specific for the target protein (PIP4K2C). A loading control antibody (e.g., anti-GAPDH or anti- β -actin) is also used to confirm equal protein loading.
- **Detection:** The membrane is then incubated with a horseradish peroxidase (HRP)-conjugated secondary antibody that binds to the primary antibody. A chemiluminescent substrate is added, and the light signal is captured by an imaging system.
- **Analysis:** The intensity of the protein bands is quantified using densitometry software. The target protein levels are normalized to the loading control. The percentage of degradation is

calculated relative to the vehicle-treated control, and this data is used to determine the DC50 (half-maximal degradation concentration) and Dmax (maximal degradation) values.

Need Custom Synthesis?

BenchChem offers custom synthesis for rare earth carbides and specific isotopic labeling.

Email: info@benchchem.com or [Request Quote Online](#).

References

- [1. Targeting the Dark Lipid Kinase PIP4K2C with a Potent and Selective Binder and Degradator - PMC \[pmc.ncbi.nlm.nih.gov\]](#)
- [2. larkspur.bio \[larkspur.bio\]](#)
- [3. medchemexpress.com \[medchemexpress.com\]](#)
- [4. researchgate.net \[researchgate.net\]](#)
- [5. researchgate.net \[researchgate.net\]](#)
- To cite this document: BenchChem. [TMX-4153: A Comparative Analysis of Specificity and Selectivity]. BenchChem, [2026]. [Online PDF]. Available at: [\[https://www.benchchem.com/product/b10861552/docs#tmx-4153-a-comparative-analysis-of-specificity-and-selectivity\]](https://www.benchchem.com/product/b10861552/docs#tmx-4153-a-comparative-analysis-of-specificity-and-selectivity)

Disclaimer & Data Validity:

The information provided in this document is for Research Use Only (RUO) and is strictly not intended for diagnostic or therapeutic procedures. While BenchChem strives to provide accurate protocols, we make no warranties, express or implied, regarding the fitness of this product for every specific experimental setup.

Technical Support: The protocols provided are for reference purposes. Unsure if this reagent suits your experiment?

Need Industrial/Bulk Grade? [Request Custom Synthesis Quote](#)

BenchChem

Our mission is to be the trusted global source of essential and advanced chemicals, empowering scientists and researchers to drive progress in science and industry.

Contact

Address: 3281 E Guasti Rd

Ontario, CA 91761, United States

Phone: (601) 213-4426

Email: info@benchchem.com

[Contact our Ph.D. Support Team for a compatibility check](#)