

M1069: A Comparative Guide to its Anti-Tumor Activity in Preclinical Models

Author: BenchChem Technical Support Team. **Date:** April 2026

Compound of Interest

Compound Name: M1069
Cat. No.: B10861853

[Get Quote](#)

For Researchers, Scientists, and Drug Development Professionals

This guide provides a comprehensive comparison of the anti-tumor activity of **M1069**, a dual A2A/A2B adenosine receptor antagonist, across various preclinical models. We will delve into its performance against other adenosine receptor antagonists, supported by experimental data, and provide detailed methodologies for the key experiments cited.

Mechanism of Action: Targeting the Adenosine Pathway

M1069 is an orally active, selective dual antagonist of the A2A and A2B adenosine receptors, with over 100-fold selectivity against A1 and A3 receptors. In the tumor microenvironment (TME), high concentrations of adenosine, produced through the dephosphorylation of ATP by ectonucleotidases like CD39 and CD73, contribute to an immunosuppressive landscape. Adenosine, by binding to A2A and A2B receptors on various immune cells, including T cells, natural killer (NK) cells, dendritic cells (DCs), and myeloid cells, dampens the anti-tumor immune response.

M1069's therapeutic potential lies in its ability to block these immunosuppressive signals. By antagonizing both A2A and A2B receptors, **M1069** is designed to restore and enhance the function of immune cells within the TME, leading to a more robust anti-tumor response.

In Vitro and In Vivo Efficacy: A Data-Driven Comparison

The anti-tumor activity of **M1069** has been evaluated in several preclinical models, demonstrating its efficacy both as a monotherapy and in combination with other anti-cancer agents. A key determinant of **M1069**'s effectiveness is the adenosine and CD73 expression levels within the tumor.

Performance in Different Tumor Models

M1069 has shown significant anti-tumor activity in adenosine-high, CD73-high tumor models, such as the 4T1 murine breast cancer model. Conversely, in adenosine-low, CD73-low models like the MC38 murine colon carcinoma model, **M1069** did not exhibit tumor growth inhibition. This highlights the dependency of **M1069**'s efficacy on a TME rich in adenosine.

Table 1: Comparison of **M1069** and AB928 Anti-Tumor Activity in the 4T1 Syngeneic Mouse Model

Compound	Dose (oral, BID)	Tumor Growth Inhibition (TGI)	Reference
M1069	100 mg/kg	30%	
M1069	300 mg/kg	41.8%	
AB928	100 mg/kg	19.9%	

BID: twice daily

Table 2: Qualitative Comparison of **M1069** with Other Adenosine Receptor Antagonists

Compound	Target(s)	Key Findings in 4T1 Model	Reference
M1069	A2A/A2B	Dose-dependent tumor growth inhibition.	
AB928	A2A/A2B	Demonstrated tumor growth inhibition, though less potent than M1069 at the same dose.	
A2A selective antagonist (A2Ai)	A2A	Less effective than M1069 in suppressing protumorigenic cytokines and stimulating T-cells in the presence of adenosine.	
TT-10	A2A	Showed superior tumor growth suppression compared to vehicle and anti-PD-1 treatment.	
TT-4	A2B	Demonstrated significant suppression of tumor growth.	

Experimental Protocols

In Vivo Tumor Models

4T1 Murine Breast Cancer Model (Adenosine-high/CD73-high):

- Cell Line: 4T1 murine breast cancer cells.

- Animals: Female BALB/c mice.
- Implantation: 5×10^4 4T1 cells are implanted into the mammary fat pad.
- Treatment Initiation: Treatment begins when the average tumor volume reaches approximately 60-70 mm³.
- Drug Administration: **M1069** and comparator agents are administered orally (p.o.) twice daily (BID) at the specified doses.
- Monitoring: Tumor volume is measured 2-3 times per week using calipers.
- Endpoint: Animals are euthanized when tumor volume reaches a predetermined size (e.g., 2,000 mm³) or at the end of the study period.

MC38 Murine Colon Carcinoma Model (Adenosine-low/CD73-low):

- Cell Line: MC38 murine colon adenocarcinoma cells.
- Animals: Female C57BL/6 mice.
- Implantation: Cells are implanted subcutaneously.
- Treatment and Monitoring: Follows a similar protocol to the 4T1 model.

In Vitro Assays

Mixed Lymphocyte Reaction (MLR) Assay:

This assay assesses the ability of dendritic cells (DCs) to stimulate T-cell proliferation and activation.

- DC Generation: Monocytes are differentiated into DCs in the presence or absence of adenosine. To test the effect of **M1069**, the compound is added during this differentiation process.
- Co-culture: The generated DCs (stimulator cells) are co-cultured with allogeneic T-cells (responder cells).

- Readout: T-cell proliferation is measured by methods such as [3H]-thymidine incorporation or CFSE dilution. Cytokine production (e.g., IFN- γ , IL-2) in the supernatant is quantified by ELISA or other immunoassays to assess T-cell activation.

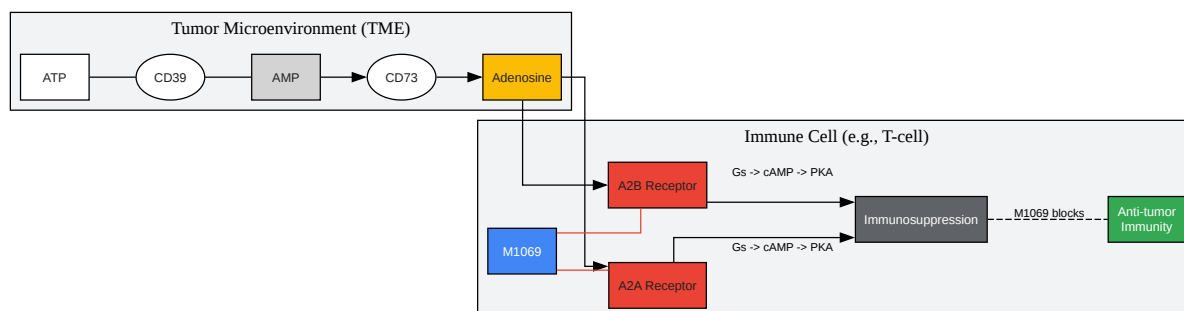
Dendritic Cell (DC) Differentiation Assay:

This assay evaluates the effect of **M1069** on the differentiation of monocytes into functional DCs in an adenosine-rich environment.

- Monocyte Isolation: Monocytes are isolated from peripheral blood mononuclear cells (PBMCs).
- Differentiation: Monocytes are cultured with GM-CSF and IL-4 to induce differentiation into immature DCs. Adenosine is added to the culture to mimic the TME. **M1069** is added to test its ability to counteract the effects of adenosine.
- Phenotypic Analysis: The expression of DC maturation markers (e.g., CD80, CD86, HLA-DR) and immunosuppressive markers is analyzed by flow cytometry.
- Functional Analysis: The ability of the differentiated DCs to produce cytokines (e.g., IL-12) is measured.

Visualizing the Science

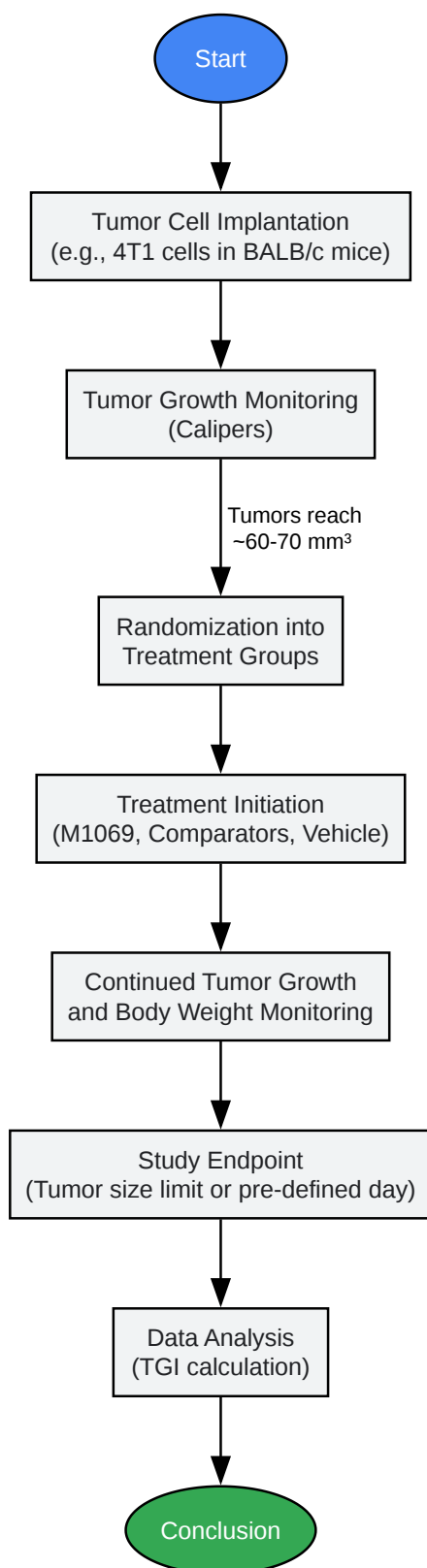
Signaling Pathway of M1069



[Click to download full resolution via product page](#)

Caption: **M1069** blocks adenosine binding to A2A/A2B receptors, inhibiting immunosuppressive signaling.

Experimental Workflow for In Vivo Anti-Tumor Activity Assessment



[Click to download full resolution via product page](#)

- To cite this document: BenchChem. [M1069: A Comparative Guide to its Anti-Tumor Activity in Preclinical Models]. BenchChem, [2026]. [Online PDF]. Available at: [<https://www.benchchem.com/product/b10861853/docs#m1069-a-comparative-guide-to-its-anti-tumor-activity-in-preclinical-models>]

Disclaimer & Data Validity:

The information provided in this document is for Research Use Only (RUO) and is strictly not intended for diagnostic or therapeutic procedures. While BenchChem strives to provide accurate protocols, we make no warranties, express or implied, regarding the fitness of this product for every specific experimental setup.

Technical Support: The protocols provided are for reference purposes. Unsure if this reagent suits your experiment?

Need Industrial/Bulk Grade? [Request Custom Synthesis Quote](#)

BenchChem

Our mission is to be the trusted global source of essential and advanced chemicals, empowering scientists and researchers to drive progress in science and industry.

Contact

Address: 3281 E Guasti Rd
Ontario, CA 91761, United States
Phone: (601) 213-4426
Email: info@benchchem.com

[Contact our Ph.D. Support Team for a compatibility check](#)