

Unveiling the Selectivity of Elovl6-IN-4: A Comparative Guide for Researchers

Author: BenchChem Technical Support Team. **Date:** April 2026

Compound of Interest

Compound Name: *Elovl6-IN-4*

Cat. No.: *B10857284*

[Get Quote](#)

For researchers in metabolic diseases and oncology, the selective inhibition of fatty acid elongase 6 (ELOVL6) presents a promising therapeutic strategy. This guide provides a detailed comparison of the cross-reactivity of a potent ELOVL6 inhibitor, **Elovl6-IN-4**, against other members of the ELOVL family, supported by experimental data and protocols.

Elovl6-IN-4 is a potent and orally active inhibitor of ELOVL6, an enzyme that plays a crucial role in the elongation of long-chain saturated and monounsaturated fatty acids.^{[1][2]} This inhibitor has demonstrated significant potential in preclinical studies. A key aspect of its pharmacological profile is its selectivity, which is critical for minimizing off-target effects and ensuring a focused therapeutic action.

Comparative Inhibitory Activity of Elovl6-IN-4

Elovl6-IN-4 exhibits high potency against both human and mouse ELOVL6. Crucially, it displays a remarkable degree of selectivity over other human ELOVL subtypes, including ELOVL1, ELOVL2, and ELOVL5, as well as mouse ELOVL3.^[2] The following table summarizes the inhibitory concentrations (IC50) of **Elovl6-IN-4** against various ELOVL family members.

Target Enzyme	Species	IC50
ELOVL6	Human	79 nM
ELOVL6	Mouse	94 nM
ELOVL1	Human	>5 μ M
ELOVL2	Human	>5 μ M
ELOVL5	Human	>5 μ M
ELOVL3	Mouse	>10 μ M

Table 1: Inhibitory activity of **Elovl6-IN-4** against ELOVL family members.[1][2]

The data clearly indicates a significant therapeutic window between the inhibition of ELOVL6 and other ELOVL family members, underscoring the high selectivity of **Elovl6-IN-4**.

Experimental Protocol for Determining ELOVL Inhibitor Selectivity

The following protocol outlines a representative in vitro assay used to determine the inhibitory activity and selectivity of compounds like **Elovl6-IN-4** against the ELOVL family of enzymes.

Objective: To determine the IC50 values of a test compound against various ELOVL enzyme isoforms.

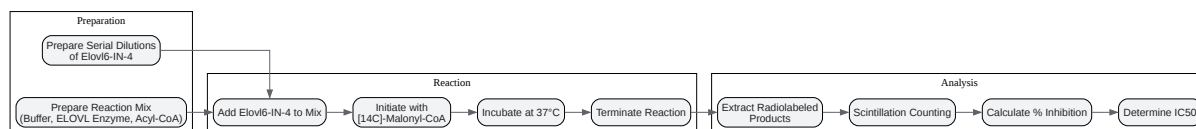
Materials:

- Recombinant human or mouse ELOVL enzymes (e.g., ELOVL1, ELOVL2, ELOVL3, ELOVL5, ELOVL6)
- Fatty acyl-CoA substrate (e.g., palmitoyl-CoA for ELOVL6)
- [2-14C]-Malonyl-CoA (radiolabeled)
- Assay buffer (e.g., 100 mM potassium phosphate buffer, pH 7.4, containing 1 mM MgCl₂ and 1 mM dithiothreitol)

- Test compound (**Elovl6-IN-4**) at various concentrations
- Scintillation cocktail
- Scintillation counter

Procedure:

- Prepare a reaction mixture containing the assay buffer, a specific recombinant ELOVL enzyme, and the fatty acyl-CoA substrate.
- Add the test compound (**Elovl6-IN-4**) at a range of concentrations to the reaction mixture. A vehicle control (e.g., DMSO) should be included.
- Initiate the enzymatic reaction by adding radiolabeled [2-14C]-malonyl-CoA.
- Incubate the reaction mixture at 37°C for a predetermined time (e.g., 30 minutes).
- Terminate the reaction by adding an acidic solution (e.g., 6 M HCl).
- Extract the radiolabeled fatty acid products using an organic solvent (e.g., hexane).
- Quantify the amount of radioactivity in the organic phase using a scintillation counter.
- Calculate the percentage of inhibition for each concentration of the test compound relative to the vehicle control.
- Determine the IC50 value by plotting the percentage of inhibition against the logarithm of the test compound concentration and fitting the data to a sigmoidal dose-response curve.

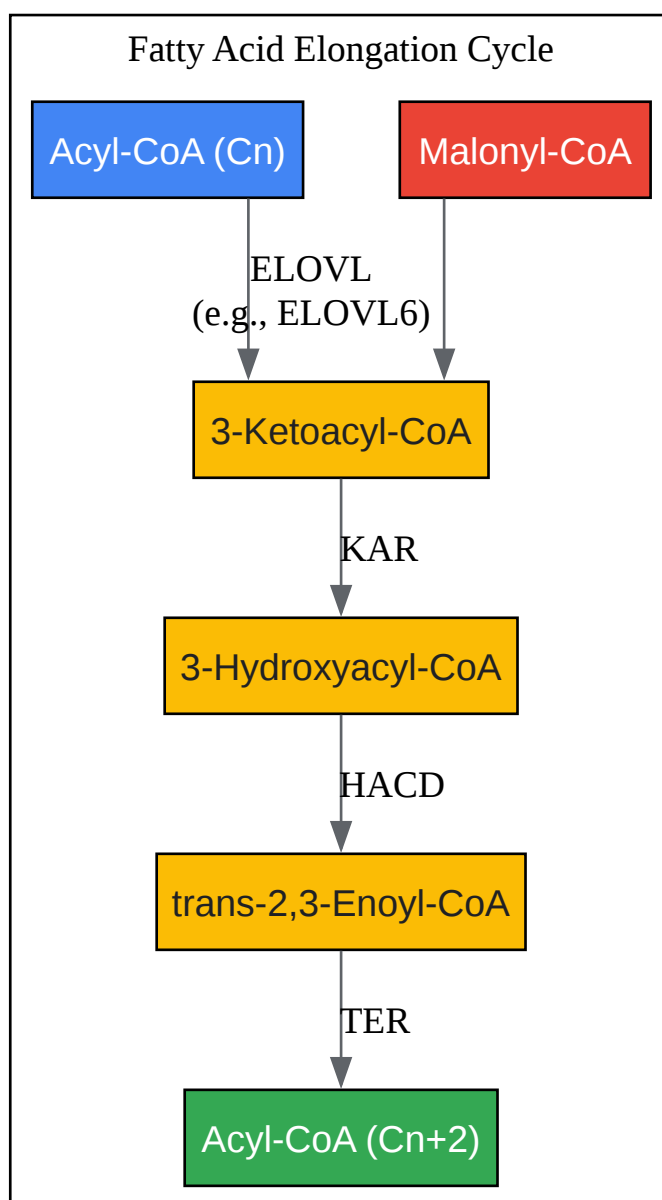


[Click to download full resolution via product page](#)

Figure 1: Experimental workflow for assessing ELOVL inhibitor selectivity.

The Fatty Acid Elongation Pathway

The ELOVL family of enzymes are central to the de novo synthesis of long-chain and very-long-chain fatty acids. This pathway is a multi-step process occurring in the endoplasmic reticulum. ELOVL enzymes catalyze the initial and rate-limiting condensation step.



[Click to download full resolution via product page](#)

Figure 2: The ELOVL-mediated fatty acid elongation pathway.

In conclusion, **Elovl6-IN-4** is a highly potent and selective inhibitor of ELOVL6. Its minimal cross-reactivity with other ELOVL family members makes it an invaluable tool for researchers investigating the role of ELOVL6 in health and disease, and a promising candidate for further therapeutic development.

Need Custom Synthesis?

BenchChem offers custom synthesis for rare earth carbides and specific isotopic labeling.

Email: info@benchchem.com or [Request Quote Online](#).

References

- [1. medchemexpress.com \[medchemexpress.com\]](https://www.medchemexpress.com)
- [2. ELOVL6 inhibitor 1w | ELOVL6 inhibitor | Probechem Biochemicals \[probechem.com\]](#)
- To cite this document: BenchChem. [Unveiling the Selectivity of Elovl6-IN-4: A Comparative Guide for Researchers]. BenchChem, [2026]. [Online PDF]. Available at: [\[https://www.benchchem.com/product/b10857284/docs#unveiling-the-selectivity-of-elovl6-in-4-a-comparative-guide-for-researchers\]](https://www.benchchem.com/product/b10857284/docs#unveiling-the-selectivity-of-elovl6-in-4-a-comparative-guide-for-researchers)

Disclaimer & Data Validity:

The information provided in this document is for Research Use Only (RUO) and is strictly not intended for diagnostic or therapeutic procedures. While BenchChem strives to provide accurate protocols, we make no warranties, express or implied, regarding the fitness of this product for every specific experimental setup.

Technical Support: The protocols provided are for reference purposes. Unsure if this reagent suits your experiment?

Need Industrial/Bulk Grade? [Request Custom Synthesis Quote](#)

BenchChem

Our mission is to be the trusted global source of essential and advanced chemicals, empowering scientists and researchers to drive progress in science and industry.

Contact

Address: 3281 E Guasti Rd

Ontario, CA 91761, United States

Phone: (601) 213-4426

Email: info@benchchem.com

Contact our Ph.D. Support Team for a compatibility check