

# Potential off-target effects of SW157765 in research

**Author:** BenchChem Technical Support Team. **Date:** April 2026

## Compound of Interest

Compound Name: SW157765

Cat. No.: B10831315

[Get Quote](#)

## Technical Support Center: SW157765

Welcome to the **SW157765** Technical Support Center. This resource is designed for researchers, scientists, and drug development professionals to provide guidance on the potential off-target effects of **SW157765** and to offer troubleshooting support for experiments involving this selective GLUT8 (SLC2A8) inhibitor.

Disclaimer: As of the latest literature review, specific off-target profiling data for **SW157765** is not publicly available. The following troubleshooting guides and FAQs are based on general principles of small molecule inhibitor research and best practices for assessing compound selectivity.

## Frequently Asked Questions (FAQs)

Q1: What is the known on-target activity of **SW157765**?

**SW157765** is a selective inhibitor of the non-canonical glucose transporter GLUT8 (SLC2A8)[1][2][3]. It has been shown to be particularly effective in KRAS/KEAP1 double mutant non-small cell lung cancer (NSCLC) cells, which exhibit a heightened sensitivity to GLUT8 inhibition[1][2]

[3]. **SW157765** dose-dependently inhibits the uptake of 2-deoxyglucose (2DG) in sensitive cell lines[1].

Q2: Why is it important to consider potential off-target effects of **SW157765**?

While **SW157765** is described as a selective GLUT8 inhibitor, all small molecule inhibitors have the potential for off-target interactions. These unintended interactions can lead to:

- Misinterpretation of experimental results: A cellular phenotype observed after treatment with **SW157765** may be erroneously attributed to GLUT8 inhibition when it is, in fact, caused by an off-target effect.
- Unforeseen toxicity: Off-target binding can lead to cellular toxicity or other adverse effects that are not related to the inhibition of GLUT8.
- Confounding variables in preclinical studies: Undiscovered off-target effects can complicate the translation of in vitro findings to in vivo models.

Q3: What are the likely classes of off-targets for a molecule like **SW157765**?

Given its chemical structure (a small heterocyclic molecule), potential off-targets for **SW157765** could include:

- Other Solute Carrier (SLC) transporters: Due to structural similarities in binding pockets, **SW157765** might interact with other glucose transporters (GLUTs) or other SLC family members.
- Kinases: The ATP-binding pocket of kinases is a common site for off-target binding by small molecule inhibitors.
- G-protein coupled receptors (GPCRs), ion channels, and nuclear receptors: These are broad classes of proteins that are frequently implicated in off-target interactions.
- Metabolic enzymes: Enzymes involved in various metabolic pathways could also be potential off-targets.

## Troubleshooting Guides

## Issue 1: Unexpected or Inconsistent Phenotypic Results

You are observing a cellular phenotype (e.g., decreased cell viability, changes in signaling pathways) that is not consistent with the known function of GLUT8 or varies between cell lines.

Potential Cause: This could be due to an off-target effect of **SW157765** that is more pronounced in certain cell types due to differential expression of the off-target protein.

Troubleshooting Steps:

- Confirm On-Target Engagement:
  - Perform a dose-response experiment to measure the inhibition of 2-deoxyglucose uptake in your specific cell line to confirm that **SW157765** is engaging GLUT8 at the concentrations you are using.
  - Use a rescue experiment. For example, if the phenotype is cell death, determine if it can be rescued by supplementing the media with a metabolite downstream of glucose transport that is independent of GLUT8.
- Assess Off-Target Cytotoxicity:
  - Determine the half-maximal inhibitory concentration (IC<sub>50</sub>) for cell viability in your cell line of interest and compare it to a control cell line with low or no GLUT8 expression. A significant difference in cytotoxicity that does not correlate with GLUT8 expression may suggest off-target effects.
- Profile against Related Targets:
  - If you have access to cell lines expressing other GLUT isoforms, perform glucose uptake assays to assess the selectivity of **SW157765** against other family members.

## Issue 2: Discrepancy Between In Vitro and In Vivo Results

**SW157765** shows a potent and selective effect in your in vitro assays, but the results in animal models are different from what you expected based on GLUT8 inhibition.

Potential Cause: Off-target effects can be more pronounced in a complex in vivo system due to the presence of a wider range of potential off-target proteins and metabolic pathways.

Troubleshooting Steps:

- Pharmacokinetic/Pharmacodynamic (PK/PD) Analysis:
  - Ensure that the concentration of **SW157765** achieved in the target tissue in your animal model is consistent with the effective concentrations used in your in vitro experiments.
- Broad Off-Target Screening:
  - Consider performing a broad off-target screening panel to identify potential interactions with a wide range of proteins. Commercial services are available for this purpose (e.g., kinome scans, broad ligand binding assays).
- Phenotypic Screening in a Panel of Cell Lines:
  - Screen **SW157765** against a large panel of diverse cancer cell lines. Analyzing the pattern of sensitivity and resistance across the cell lines can sometimes reveal correlations with the expression of unexpected genes, pointing to potential off-targets.

## Experimental Protocols

### Protocol 1: Assessing Selectivity Against Other GLUT Isoforms

Objective: To determine the inhibitory activity of **SW157765** against other members of the GLUT family.

Methodology:

- Cell Lines: Use a panel of cell lines, each engineered to overexpress a single GLUT isoform (e.g., GLUT1, GLUT2, GLUT3, GLUT4) in a background with low endogenous glucose transporter expression.
- Glucose Uptake Assay:

- Seed the cells in a 96-well plate and allow them to adhere overnight.
  - Wash the cells with Krebs-Ringer-HEPES (KRH) buffer.
  - Pre-incubate the cells with a range of concentrations of **SW157765** (e.g., from 1 nM to 100  $\mu$ M) for 30 minutes.
  - Initiate glucose uptake by adding KRH buffer containing a labeled glucose analog (e.g., [<sup>3</sup>H]-2-deoxy-D-glucose or a fluorescent glucose analog).
  - Incubate for a short period (e.g., 5-10 minutes) at 37°C.
  - Stop the uptake by washing the cells with ice-cold KRH buffer containing a pan-GLUT inhibitor like cytochalasin B.
  - Lyse the cells and measure the amount of internalized labeled glucose using a scintillation counter or a fluorescence plate reader.
- Data Analysis:
    - Plot the glucose uptake as a function of the **SW157765** concentration and fit the data to a dose-response curve to determine the IC<sub>50</sub> value for each GLUT isoform.

Data Presentation:

GLUT Isoform	SW157765 IC <sub>50</sub> ( $\mu$ M)
GLUT8 (On-Target)	Hypothetical Value
GLUT1	Experimental Result
GLUT2	Experimental Result
GLUT3	Experimental Result
GLUT4	Experimental Result

## Protocol 2: Kinome Profiling

Objective: To identify potential off-target interactions of **SW157765** with a broad panel of human kinases.

Methodology:

This is typically performed as a service by specialized companies (e.g., Eurofins DiscoverX KINOMEscan™, Reaction Biology). The general principle is a competition binding assay.

- Assay Principle: An immobilized active-site directed ligand for each kinase is used. The ability of **SW157765** to compete with this ligand for binding to the kinase is measured.
- Procedure:
  - A high concentration of **SW157765** (e.g., 10  $\mu$ M) is incubated with a large panel of recombinant human kinases.
  - The percentage of inhibition of binding of the active-site directed ligand is determined for each kinase.
- Data Analysis:
  - The results are typically presented as the percentage of inhibition for each kinase at the tested concentration. A high percentage of inhibition suggests a potential off-target interaction. Follow-up dose-response assays are then performed for the initial "hits" to determine their binding affinity (Kd) or inhibitory concentration (IC50).

Data Presentation:

Kinase Target	SW157765 % Inhibition @ 10 $\mu$ M	SW157765 IC50 ( $\mu$ M)
Kinase A	Experimental Result	Follow-up Result
Kinase B	Experimental Result	Follow-up Result
Kinase C	Experimental Result	Follow-up Result

## Protocol 3: Cellular Thermal Shift Assay (CETSA)

Objective: To confirm target engagement and identify off-target binding of **SW157765** in a cellular context.

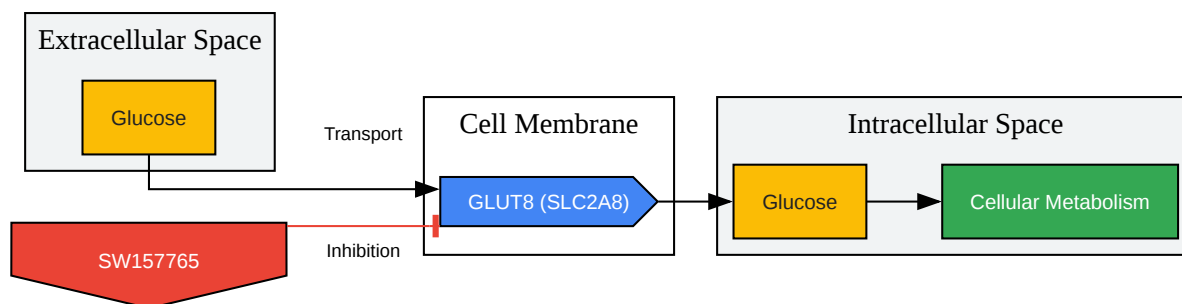
Methodology:

- Principle: The binding of a small molecule to a protein can stabilize the protein, leading to an increase in its melting temperature.
- Procedure:
  - Treat intact cells with **SW157765** or a vehicle control.
  - Harvest the cells, lyse them, and divide the lysate into aliquots.
  - Heat the aliquots to a range of temperatures.
  - Centrifuge the samples to pellet the aggregated, denatured proteins.
  - Analyze the amount of soluble protein remaining in the supernatant for both the target protein (GLUT8) and other suspected off-targets by Western blotting or mass spectrometry.
- Data Analysis:
  - Plot the amount of soluble protein as a function of temperature. A shift of the melting curve to a higher temperature in the presence of **SW157765** indicates target engagement.

Data Presentation:

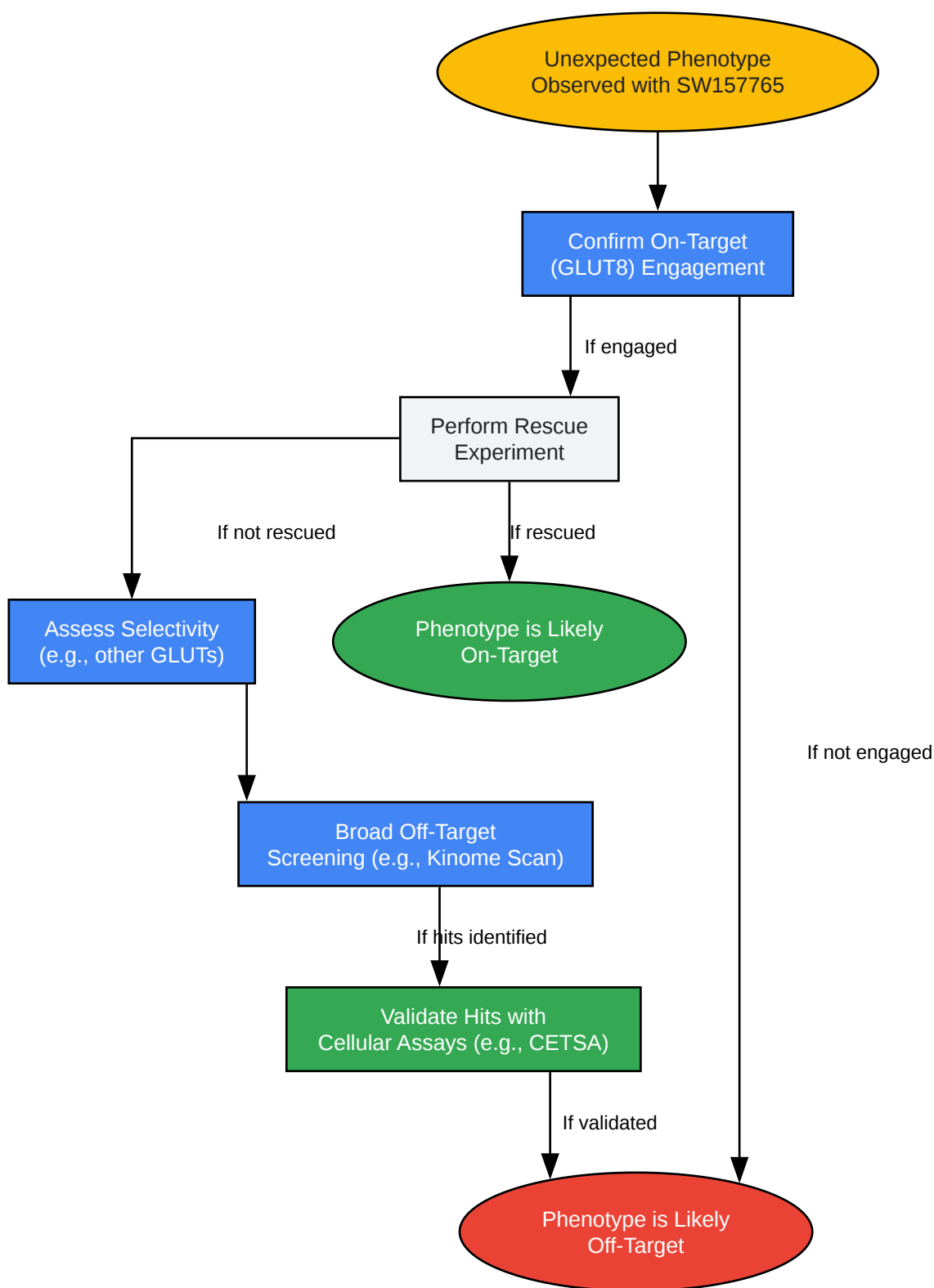
Protein Target	Vehicle Control Tagg (°C)	SW157765 Tagg (°C)	ΔTagg (°C)
GLUT8	Experimental Result	Experimental Result	Calculated Value
Potential Off-Target X	Experimental Result	Experimental Result	Calculated Value

## Visualizations



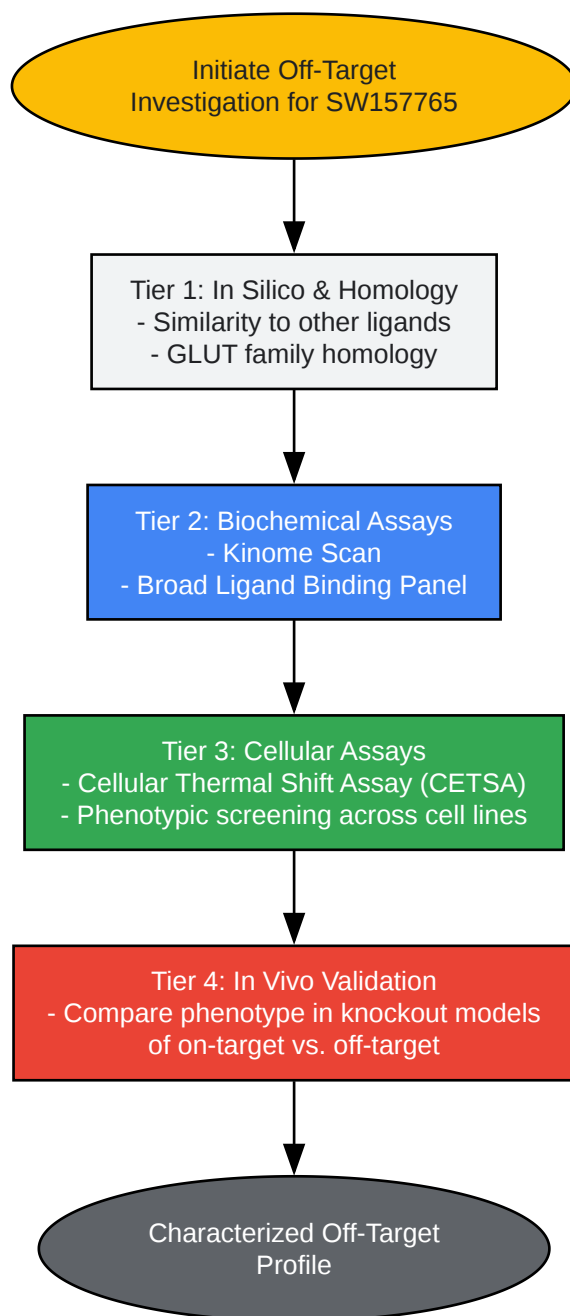
[Click to download full resolution via product page](#)

Caption: On-target action of **SW157765** inhibiting glucose transport via GLUT8.



[Click to download full resolution via product page](#)

Caption: Troubleshooting workflow for investigating unexpected phenotypes with **SW157765**.



[Click to download full resolution via product page](#)

Caption: A tiered approach for systematically investigating the potential off-target effects of **SW157765**.

#### Need Custom Synthesis?

BenchChem offers custom synthesis for rare earth carbides and specific isotopic labeling.

Email: [info@benchchem.com](mailto:info@benchchem.com) or [Request Quote Online](#).

## References

- [1. glpbio.com \[glpbio.com\]](#)
- [2. SW-157765 | GLUT | 332063-87-3 | Invivochem \[invivochem.com\]](#)
- [3. researchgate.net \[researchgate.net\]](#)
- To cite this document: BenchChem. [Potential off-target effects of SW157765 in research]. BenchChem, [2026]. [Online PDF]. Available at: [\[https://www.benchchem.com/product/b10831315/docs#potential-off-target-effects-of-sw157765-in-research\]](https://www.benchchem.com/product/b10831315/docs#potential-off-target-effects-of-sw157765-in-research)

---

### Disclaimer & Data Validity:

The information provided in this document is for Research Use Only (RUO) and is strictly not intended for diagnostic or therapeutic procedures. While BenchChem strives to provide accurate protocols, we make no warranties, express or implied, regarding the fitness of this product for every specific experimental setup.

**Technical Support:** The protocols provided are for reference purposes. Unsure if this reagent suits your experiment?

**Need Industrial/Bulk Grade?** [Request Custom Synthesis Quote](#)

## BenchChem

Our mission is to be the trusted global source of essential and advanced chemicals, empowering scientists and researchers to drive progress in science and industry.

### Contact

Address: 3281 E Guasti Rd  
Ontario, CA 91761, United States  
Phone: (601) 213-4426  
Email: [info@benchchem.com](mailto:info@benchchem.com)

Contact our Ph.D. Support Team for a compatibility check