

Application Notes and Protocols for IHVR-11029 in Animal Models

Author: BenchChem Technical Support Team. **Date:** April 2026

Compound of Interest

Compound Name: IHVR-11029

Cat. No.: B10831086

[Get Quote](#)

For Researchers, Scientists, and Drug Development Professionals

Introduction

IHVR-11029 is an experimental small molecule inhibitor targeting the Phosphoinositide 3-kinase (PI3K) pathway. The PI3K/Akt/mTOR signaling cascade is a critical intracellular pathway that regulates a wide range of cellular processes including cell growth, proliferation, survival, and metabolism. Dysregulation of this pathway is a hallmark of many human cancers, making it a key target for therapeutic intervention. **IHVR-11029** is a potent and selective inhibitor of the p110 α subunit of PI3K, exhibiting promising anti-tumor activity in preclinical studies.

These application notes provide detailed protocols for evaluating the in vivo efficacy of **IHVR-11029** using a human tumor xenograft mouse model. The following sections describe the necessary procedures for animal handling, tumor model establishment, compound administration, and endpoint analysis to assess the anti-tumor effects of **IHVR-11029**.

Experimental Protocols

1. Animal Model: Human Tumor Xenograft in Nude Mice

This protocol describes the establishment of a subcutaneous xenograft model using a human cancer cell line with a known PI3K pathway mutation.

- Materials:
 - Human cancer cell line (e.g., MCF-7, A549) cultured in appropriate medium.
 - Female athymic nude mice (nu/nu), 6-8 weeks old.
 - Matrigel® Basement Membrane Matrix.
 - Sterile PBS, syringes, and needles.
 - Calipers for tumor measurement.
- Procedure:
 - Harvest cultured cancer cells and resuspend in sterile PBS at a concentration of 5×10^7 cells/mL.
 - Mix the cell suspension 1:1 with Matrigel® on ice.
 - Subcutaneously inject 0.2 mL of the cell/Matrigel® mixture into the right flank of each mouse.
 - Monitor mice for tumor growth. Tumors should be palpable within 7-14 days.
 - Once tumors reach an average volume of 100-150 mm³, randomize the mice into treatment and control groups.

2. Compound Preparation and Administration

- Materials:
 - **IHVR-11029** powder.
 - Vehicle solution (e.g., 0.5% methylcellulose in sterile water).
 - Oral gavage needles.

- Procedure:
 - Prepare a stock solution of **IHVR-11029** in the vehicle at the desired concentration.
 - Administer **IHVR-11029** or vehicle to the respective groups via oral gavage once daily.
 - The volume of administration should be based on the body weight of each mouse (e.g., 10 mL/kg).

3. Efficacy Evaluation

- Procedure:
 - Measure tumor dimensions (length and width) with calipers twice weekly.
 - Calculate tumor volume using the formula: $\text{Volume} = (\text{Length} \times \text{Width}^2) / 2$.
 - Monitor the body weight of each mouse twice weekly as an indicator of toxicity.
 - At the end of the study (e.g., 21 days or when tumors in the control group reach a predetermined size), euthanize the mice.
 - Excise the tumors, weigh them, and collect tissue samples for further analysis (e.g., pharmacodynamics).

4. Pharmacodynamic (PD) Biomarker Analysis

- Procedure:
 - A separate cohort of tumor-bearing mice can be used for PD analysis.
 - Administer a single dose of **IHVR-11029** or vehicle.
 - At various time points post-dose (e.g., 2, 6, 24 hours), euthanize the mice and collect tumor tissue.
 - Analyze the tumor lysates by Western blot for the levels of phosphorylated Akt (p-Akt) and other downstream effectors of the PI3K pathway to confirm target engagement.

Data Presentation

 Table 1: Antitumor Efficacy of **IHVR-11029** in Xenograft Model

Treatment Group	Dose (mg/kg, QD)	Mean Tumor Volume (mm ³) at Day 21	Tumor Growth Inhibition (%)	Mean Final Tumor Weight (g)
Vehicle Control	0	1500 ± 250	-	1.5 ± 0.3
IHVR-11029	25	750 ± 150	50	0.8 ± 0.2
IHVR-11029	50	300 ± 100	80	0.3 ± 0.1

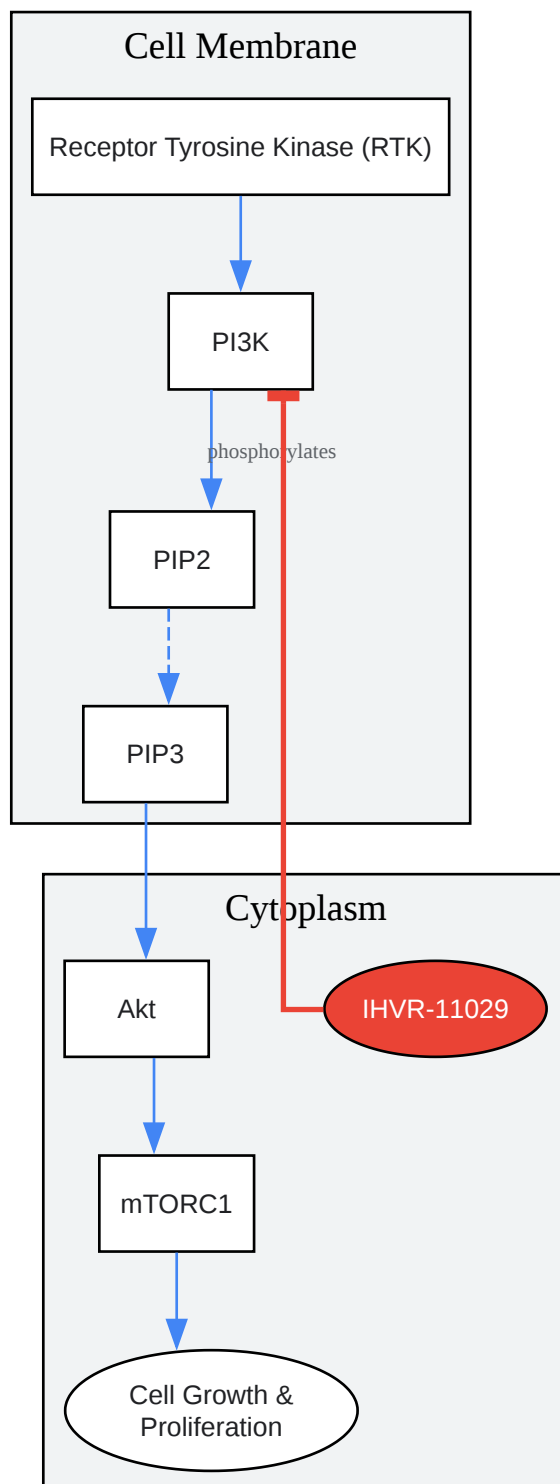
Table 2: Body Weight Changes During Treatment

Treatment Group	Dose (mg/kg, QD)	Mean Body Weight Change (%) from Day 0
Vehicle Control	0	+5%
IHVR-11029	25	+4%
IHVR-11029	50	-2%

Table 3: Pharmacodynamic Biomarker Analysis in Tumor Tissue

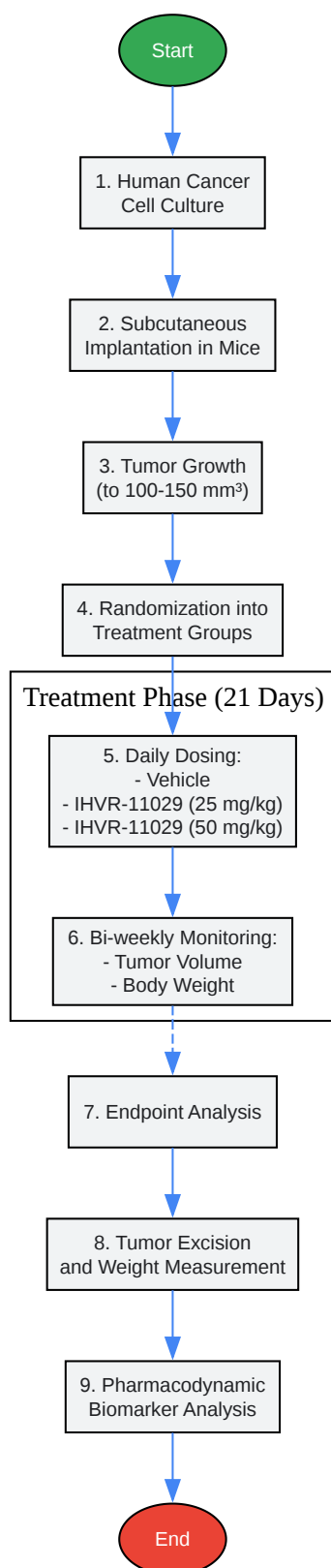
Treatment Group	Dose (mg/kg)	Time Post-Dose (hr)	p-Akt/Total Akt Ratio (Normalized to Control)
Vehicle Control	0	2	1.00
IHVR-11029	50	2	0.25
IHVR-11029	50	6	0.40
IHVR-11029	50	24	0.85

Visualizations



[Click to download full resolution via product page](#)

Caption: PI3K/Akt/mTOR signaling pathway with the inhibitory action of **IHVR-11029**.



[Click to download full resolution via product page](#)

Caption: Experimental workflow for evaluating the in vivo efficacy of **IHVR-11029**.

- To cite this document: BenchChem. [Application Notes and Protocols for IHVR-11029 in Animal Models]. BenchChem, [2026]. [Online PDF]. Available at: [<https://www.benchchem.com/product/b10831086/docs#application-notes-and-protocols-for-ihvr-11029-in-animal-models>]

Disclaimer & Data Validity:

The information provided in this document is for Research Use Only (RUO) and is strictly not intended for diagnostic or therapeutic procedures. While BenchChem strives to provide accurate protocols, we make no warranties, express or implied, regarding the fitness of this product for every specific experimental setup.

Technical Support: The protocols provided are for reference purposes. Unsure if this reagent suits your experiment?

Need Industrial/Bulk Grade? [Request Custom Synthesis Quote](#)

BenchChem

Our mission is to be the trusted global source of essential and advanced chemicals, empowering scientists and researchers to drive progress in science and industry.

Contact

Address: 3281 E Guasti Rd
Ontario, CA 91761, United States
Phone: (601) 213-4426
Email: info@benchchem.com

[Contact our Ph.D. Support Team for a compatibility check](#)