

# A Technical Guide to BSA-Cy5.5 Bioconjugation: Chemistry, Principles, and Protocols

**Author:** BenchChem Technical Support Team. **Date:** April 2026

## Compound of Interest

Compound Name: Bovine Serum Albumin-Cy5.5

Cat. No.: B10823072

[Get Quote](#)

For Researchers, Scientists, and Drug Development Professionals

This in-depth technical guide provides a comprehensive overview of the chemistry, principles, and experimental protocols for the bioconjugation of Bovine Serum Albumin (BSA) with the near-infrared fluorescent dye, Cyanine 5.5 (Cy5.5). This bioconjugate is a valuable tool in various research and drug development applications, including in vivo and ex vivo imaging, fluorescence microscopy, and flow cytometry, owing to its bright fluorescence, deep tissue penetration, and reduced background autofluorescence.[1][2]

## Core Principles of BSA-Cy5.5 Bioconjugation

The fundamental chemistry underlying the formation of BSA-Cy5.5 bioconjugates is the reaction between an amine-reactive derivative of the Cy5.5 dye and primary amine groups present on the BSA molecule. The most common amine-reactive chemistry employed for this purpose is the use of N-hydroxysuccinimide (NHS) esters.[3][4][5]

Cy5.5 is a cyanine dye that emits fluorescence in the near-infrared spectrum.[6] For bioconjugation, it is chemically modified to include an NHS ester functional group. This activated ester is highly reactive towards nucleophilic primary amines, such as the  $\epsilon$ -amino group of lysine residues and the N-terminal  $\alpha$ -amino group of the protein.[3][7]

The reaction, which is highly dependent on pH, results in the formation of a stable amide bond, covalently linking the Cy5.5 dye to the BSA molecule.[3][5] The optimal pH for this reaction is typically between 8.3 and 8.5.[4][8] At a lower pH, the primary amines are protonated, rendering them non-nucleophilic and thus unreactive. Conversely, at a higher pH, the rate of hydrolysis of the NHS ester increases significantly, which competes with the desired amine reaction and reduces the conjugation efficiency.[3][4]

## Quantitative Data for BSA-Cy5.5 Bioconjugates

The following table summarizes key quantitative data for commercially available BSA-Cy5.5 bioconjugates and the Cy5.5 dye itself. This information is crucial for experimental design and data interpretation.

Parameter	Value	Reference
BSA Molecular Weight	~66,500 Da	[4]
Cy5.5 Excitation Wavelength	~675 nm	[1][2]
Cy5.5 Emission Wavelength	~694 nm	[1][2]
Typical Dye-to-Protein Ratio (D/P)	2-7 Cy5.5 dyes per BSA molecule	[2]

## Experimental Protocol: BSA-Cy5.5 Conjugation

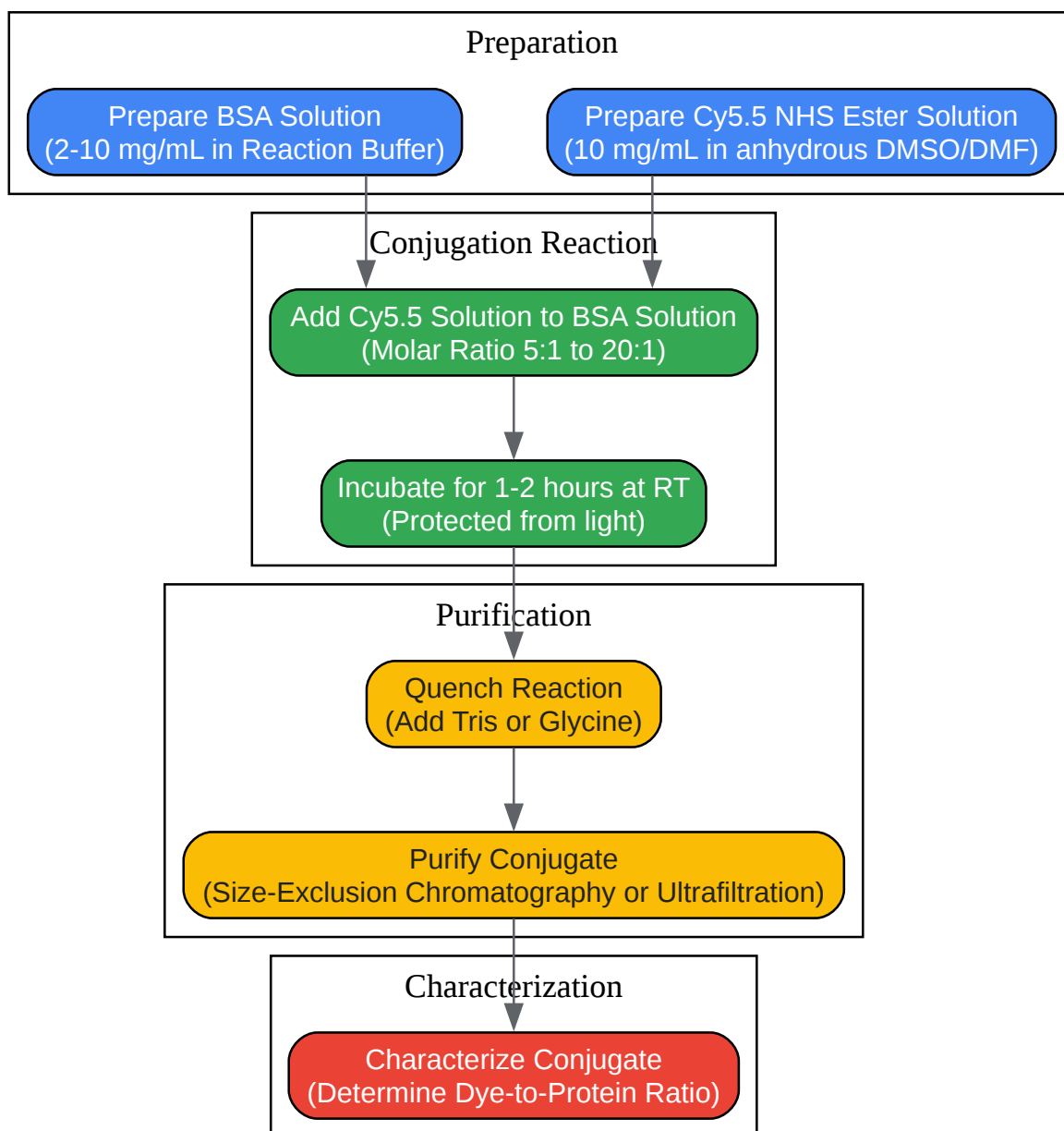
This section provides a detailed methodology for the conjugation of Cy5.5 NHS ester to BSA.

### Materials and Reagents:

- Bovine Serum Albumin (BSA)
- Cy5.5 NHS Ester
- Anhydrous Dimethyl Sulfoxide (DMSO) or Dimethylformamide (DMF)[4][5]
- Reaction Buffer: 0.1 M Sodium Bicarbonate buffer, pH 8.3-8.5[4][8]
- Quenching Buffer: 1 M Tris-HCl, pH 8.0 or 1 M Glycine

- Purification Column: Size-exclusion chromatography (e.g., Sephadex G-25) or centrifugal ultrafiltration devices (30 kDa MWCO)[9][10]
- Phosphate-Buffered Saline (PBS), pH 7.4

## Experimental Workflow



[Click to download full resolution via product page](#)

Caption: Experimental workflow for BSA-Cy5.5 bioconjugation.

## Step-by-Step Procedure:

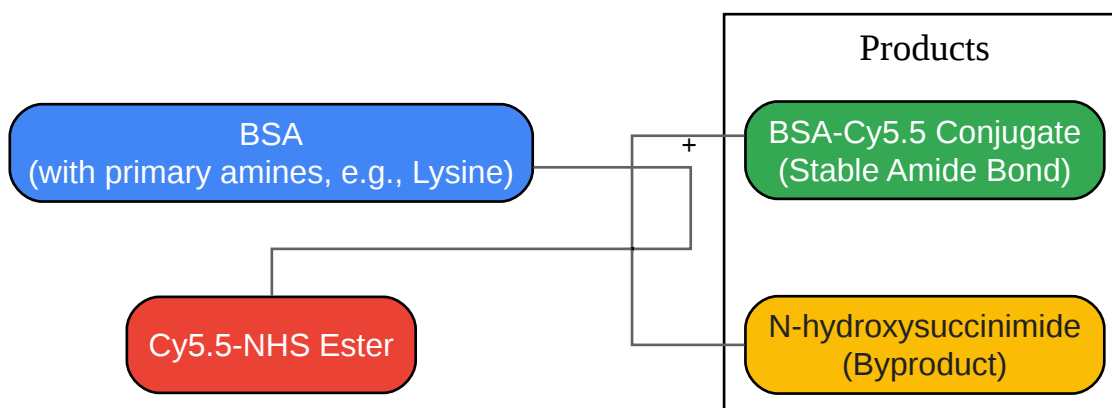
- **BSA Solution Preparation:** Dissolve BSA in the reaction buffer to a final concentration of 2-10 mg/mL.<sup>[11]</sup> Ensure the buffer is free of primary amines (e.g., Tris or glycine) as they will compete with the BSA for reaction with the Cy5.5 NHS ester.<sup>[7]</sup>
- **Cy5.5 NHS Ester Solution Preparation:** Immediately before use, dissolve the Cy5.5 NHS ester in anhydrous DMSO or high-quality DMF to a concentration of 10 mg/mL.<sup>[4][11]</sup> It is crucial to use an anhydrous solvent to prevent hydrolysis of the NHS ester.
- **Conjugation Reaction:**
  - Calculate the required volume of the Cy5.5 NHS ester solution to achieve a desired molar ratio of dye to protein. A starting point for optimization is typically between a 5:1 and 20:1 molar ratio.<sup>[11]</sup>
  - While gently stirring the BSA solution, slowly add the calculated volume of the Cy5.5 solution.
  - Incubate the reaction mixture for 1-2 hours at room temperature, protected from light to prevent photobleaching of the dye.<sup>[11]</sup>
- **Reaction Quenching (Optional):** To stop the reaction, add a quenching buffer such as Tris or glycine to a final concentration of 50-100 mM.<sup>[7]</sup> This will react with any remaining unreacted Cy5.5 NHS ester.
- **Purification of the BSA-Cy5.5 Conjugate:** It is essential to remove unreacted Cy5.5 and byproducts from the conjugate solution. This can be achieved by:
  - **Size-Exclusion Chromatography:** Use a gel filtration column (e.g., Sephadex G-25) equilibrated with PBS. The larger BSA-Cy5.5 conjugate will elute first, followed by the smaller, unconjugated dye molecules.<sup>[9]</sup>
  - **Ultrafiltration:** Use a centrifugal filter device with a molecular weight cutoff (MWCO) of 30 kDa.<sup>[10]</sup> This will retain the BSA-Cy5.5 conjugate while allowing smaller molecules to pass

through the membrane. Repeat the washing steps with PBS until the filtrate is clear.

- Characterization - Determining the Dye-to-Protein (D/P) Ratio:
  - Measure the absorbance of the purified BSA-Cy5.5 conjugate at 280 nm (for protein) and ~675 nm (for Cy5.5) using a spectrophotometer.[12]
  - Calculate the protein concentration using the Beer-Lambert law, correcting for the absorbance of Cy5.5 at 280 nm. The correction factor (CF) is the ratio of the dye's absorbance at 280 nm to its absorbance at its  $\lambda_{max}$ .
  - The D/P ratio can be calculated using the following formula:  $D/P = (A_{max} \text{ of conjugate} * \text{Molar extinction coefficient of BSA}) / ((A_{280} \text{ of conjugate} - (A_{max} \text{ of conjugate} * CF)) * \text{Molar extinction coefficient of Cy5.5})$

## Signaling Pathway and Logical Relationships

The core of the BSA-Cy5.5 bioconjugation process is a straightforward chemical reaction. The logical relationship between the reactants and the final product is illustrated below.



[Click to download full resolution via product page](#)

Caption: Chemical reaction scheme for BSA-Cy5.5 conjugation.

This guide provides the fundamental knowledge and a practical framework for the successful synthesis and characterization of BSA-Cy5.5 bioconjugates. Adherence to the outlined

principles and protocols will enable researchers to produce high-quality fluorescent probes for a wide range of biological applications.

### Need Custom Synthesis?

BenchChem offers custom synthesis for rare earth carbides and specific isotopic labeling.

Email: [info@benchchem.com](mailto:info@benchchem.com) or [Request Quote Online](#).

## References

- [1. BSA, Cy5.5 Labeled - Taskcm \[taskcm.com\]](#)
- [2. BSA, Cy5.5 labeled \[nanocs.net\]](#)
- [3. Amine-Reactive Crosslinker Chemistry | Thermo Fisher Scientific - DE \[thermofisher.com\]](#)
- [4. lumiprobe.com \[lumiprobe.com\]](#)
- [5. glenresearch.com \[glenresearch.com\]](#)
- [6. m.youtube.com \[m.youtube.com\]](#)
- [7. Conjugation Protocol for Amine Reactive Dyes | Tocris Bioscience \[tocris.com\]](#)
- [8. interchim.fr \[interchim.fr\]](#)
- [9. files.core.ac.uk \[files.core.ac.uk\]](#)
- [10. Ultrafiltration as an alternative purification method for bovine serum albumin-fluorescein isothiocyanate bioconjugate | microPublication \[micropublication.org\]](#)
- [11. benchchem.com \[benchchem.com\]](#)
- [12. documents.thermofisher.com \[documents.thermofisher.com\]](#)
- To cite this document: BenchChem. [A Technical Guide to BSA-Cy5.5 Bioconjugation: Chemistry, Principles, and Protocols]. BenchChem, [2026]. [Online PDF]. Available at: [<https://www.benchchem.com/product/b10823072/docs#a-technical-guide-to-bsa-cy5-5-bioconjugation-chemistry-principles-and-protocols>]

---

### Disclaimer & Data Validity:

The information provided in this document is for Research Use Only (RUO) and is strictly not intended for diagnostic or therapeutic procedures. While BenchChem strives to provide

accurate protocols, we make no warranties, express or implied, regarding the fitness of this product for every specific experimental setup.

**Technical Support:** The protocols provided are for reference purposes. Unsure if this reagent suits your experiment?

**Need Industrial/Bulk Grade?** [Request Custom Synthesis Quote](#)

## BenchChem

Our mission is to be the trusted global source of essential and advanced chemicals, empowering scientists and researchers to drive progress in science and industry.

### Contact

Address: 3281 E Guasti Rd

Ontario, CA 91761, United States

Phone: (601) 213-4426

Email: [info@benchchem.com](mailto:info@benchchem.com)

[Contact our Ph.D. Support Team for a compatibility check](#)