

Independent Verification of HDAC2-IN-2's On-Target Effects: A Comparative Guide

Author: BenchChem Technical Support Team. **Date:** April 2026

Compound of Interest

Compound Name: HDAC2-IN-2

Cat. No.: B10805994

[Get Quote](#)

For researchers, scientists, and drug development professionals, this guide provides an objective comparison of **HDAC2-IN-2**'s on-target performance against other histone deacetylase (HDAC) inhibitors. The following sections detail quantitative data, experimental methodologies for on-target verification, and visual representations of key pathways and workflows.

Histone deacetylase 2 (HDAC2), a class I HDAC enzyme, plays a critical role in the epigenetic regulation of gene expression. Its dysregulation is implicated in various diseases, including cancer and neurological disorders, making it a key therapeutic target.^{[1][2]} HDAC inhibitors modulate gene expression by preventing the removal of acetyl groups from histones, leading to a more open chromatin structure and altered transcription. This guide focuses on the independent verification of the on-target effects of a selective inhibitor, **HDAC2-IN-2**, and compares its performance with other known HDAC inhibitors.

Comparative Analysis of On-Target Activity

The on-target efficacy of HDAC inhibitors is primarily assessed through their inhibitory concentration (IC₅₀) and binding affinity (K_i or K_d) values against specific HDAC isoforms.

Lower values indicate higher potency and affinity. Below is a summary of available quantitative data for **HDAC2-IN-2** and other relevant HDAC inhibitors.

Compound	Target(s)	IC50 (nM) vs HDAC1	IC50 (nM) vs HDAC2	IC50 (nM) vs HDAC3	Ki (nM) vs HDAC2	Kd (µM) vs HDAC2	Data Source(s)
HDAC2-IN-2	HDAC2	-	-	-	-	0.1 - 1	[3][4]
Pimelic Diphenyl amide 106	Class I HDACs	150	760	370	~102	-	[4][5]
PCI-24781 (Abexinostat)	Pan-HDAC	7 (Ki)	19 (Ki)	8.2 (Ki)	19	-	[6]
CI-994 (Tacedinaline)	Class I HDACs	Inhibited	Inhibited	-	-	-	[7]
Compound 7a (Ligustrazine-based)	HDAC1/HDAC2	114.3	53.7	-	-	-	[8][9]
MI192	HDAC2/HDAC3	>250-fold selective vs HDAC3	Low nM	Low nM	-	-	[10]

Note: "-" indicates data not available from the searched sources.

Experimental Protocols for On-Target Verification

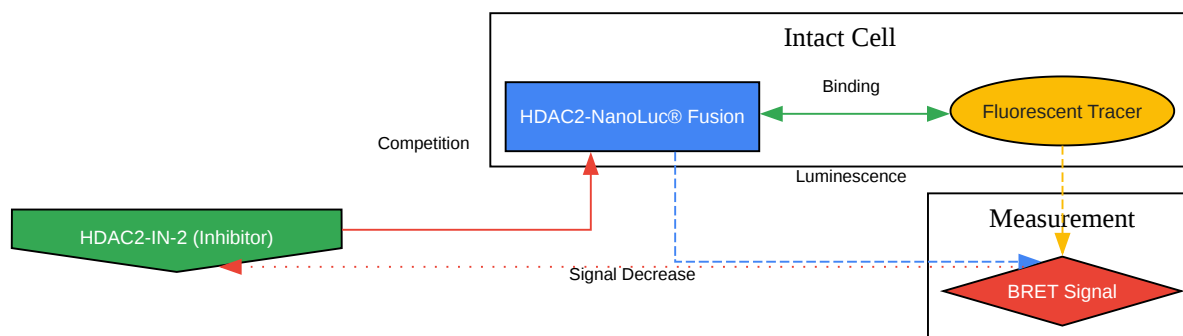
Verifying that a compound engages its intended target within a cellular context is crucial for drug development. Two state-of-the-art methods for quantifying target engagement are the NanoBRET™ Target Engagement Assay and the Cellular Thermal Shift Assay (CETSA).

NanoBRET™ Target Engagement (TE) Intracellular HDAC Assay

This assay directly measures the binding of a compound to its target protein within intact cells. It relies on Bioluminescence Resonance Energy Transfer (BRET) between a NanoLuc® luciferase-tagged HDAC2 protein (donor) and a fluorescently labeled tracer that binds to the same protein (acceptor). A test compound that binds to HDAC2 will compete with the tracer, leading to a decrease in the BRET signal in a dose-dependent manner.

Experimental Workflow:

- **Cell Preparation:** Cells are transiently transfected with a vector expressing the HDAC2-NanoLuc® fusion protein.
- **Assay Plating:** Transfected cells are seeded into 96- or 384-well plates.
- **Compound and Tracer Addition:** A specific NanoBRET™ tracer for HDACs is added to the cells, followed by the addition of the test compound (e.g., **HDAC2-IN-2**) at various concentrations.
- **Substrate Addition and Signal Detection:** A cell-permeable substrate for NanoLuc® luciferase is added, and the BRET signal is measured using a luminometer equipped with appropriate filters for the donor and acceptor wavelengths.
- **Data Analysis:** The reduction in the BRET ratio with increasing concentrations of the test compound is used to determine the intracellular IC50 value, which reflects the compound's affinity for the target in a physiological environment.



[Click to download full resolution via product page](#)

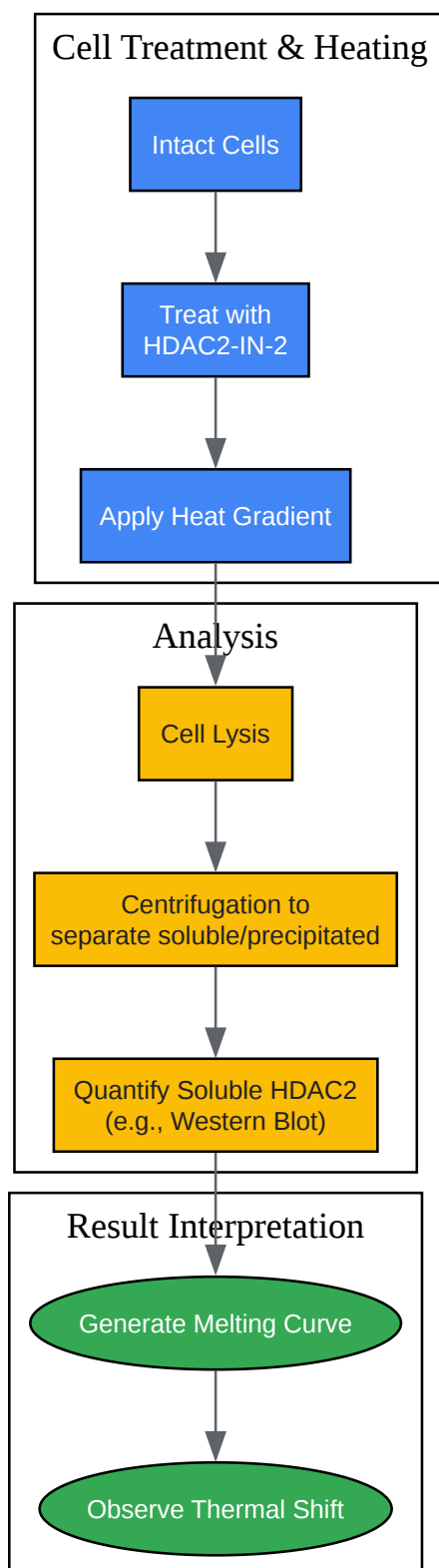
NanoBRET Target Engagement Workflow

Cellular Thermal Shift Assay (CETSA)

CETSA is a biophysical method that assesses target engagement by measuring changes in the thermal stability of a target protein upon ligand binding. When a compound binds to its target protein, it generally stabilizes the protein, leading to a higher melting temperature.

Experimental Workflow:

- Cell Treatment: Intact cells are treated with the test compound (e.g., **HDAC2-IN-2**) or a vehicle control.
- Thermal Challenge: The treated cells are heated to a range of temperatures.
- Cell Lysis and Fractionation: The cells are lysed, and the soluble fraction is separated from the precipitated, denatured proteins by centrifugation.
- Protein Quantification: The amount of soluble HDAC2 protein remaining at each temperature is quantified using methods such as Western blotting or mass spectrometry.
- Data Analysis: A melting curve is generated by plotting the amount of soluble protein against temperature. A shift in the melting curve to a higher temperature in the presence of the compound indicates target engagement and stabilization.

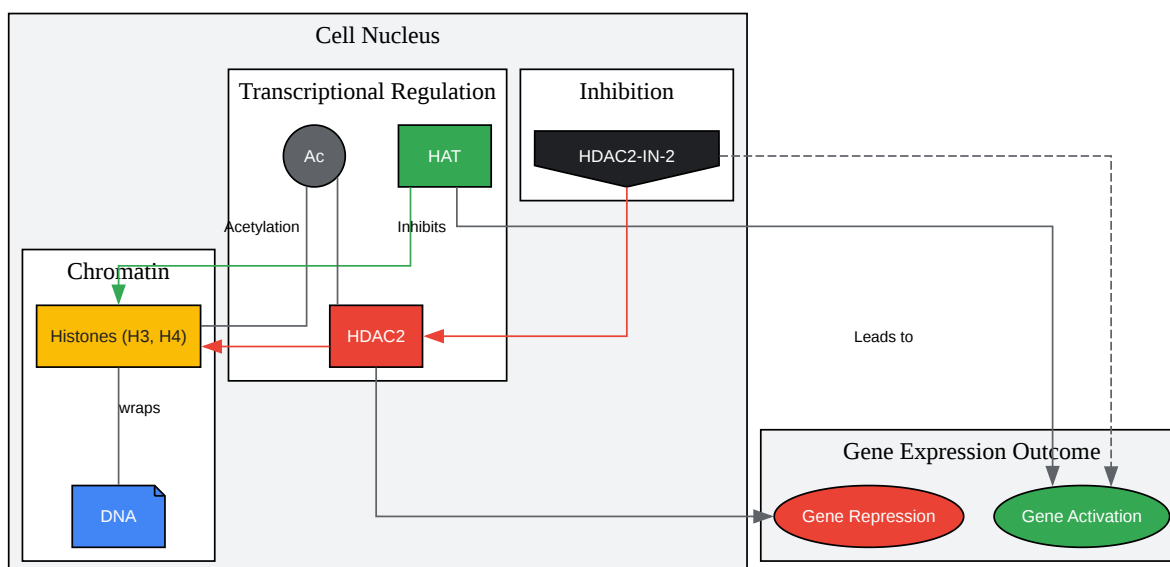


[Click to download full resolution via product page](#)

Cellular Thermal Shift Assay (CETSA) Workflow

HDAC2 Signaling Pathway and Inhibition

HDAC2 is a key component of several corepressor complexes (e.g., Sin3A, NuRD, CoREST) that are recruited to specific gene promoters by transcription factors. Once at the promoter, HDAC2 removes acetyl groups from histone tails, leading to chromatin condensation and transcriptional repression. The inhibition of HDAC2 by compounds like **HDAC2-IN-2** prevents this deacetylation, resulting in histone hyperacetylation, a more relaxed chromatin structure, and the activation of previously silenced genes, which can include tumor suppressor genes.



[Click to download full resolution via product page](#)

HDAC2 Signaling and Inhibition

Conclusion

The independent verification of on-target effects is paramount in the development of selective kinase inhibitors. While direct comparative data for **HDAC2-IN-2** is emerging, the available

information on its binding affinity suggests it is a potent inhibitor of its intended target. For a comprehensive evaluation, it is recommended that researchers utilize robust cellular target engagement assays such as NanoBRET and CETSA to quantify its intracellular potency and compare it directly with other class I and pan-HDAC inhibitors under identical experimental conditions. The detailed protocols and comparative data presented in this guide serve as a valuable resource for initiating such validation studies.

Need Custom Synthesis?

BenchChem offers custom synthesis for rare earth carbides and specific isotopic labeling.

Email: info@benchchem.com or [Request Quote Online](#).

References

- [1. HDAC2 as a target for developing anti-cancer drugs - PMC \[pmc.ncbi.nlm.nih.gov\]](#)
- [2. Histone deacetylase inhibitors as novel anticancer therapeutics - PMC \[pmc.ncbi.nlm.nih.gov\]](#)
- [3. medchemexpress.com \[medchemexpress.com\]](#)
- [4. medchemexpress.com \[medchemexpress.com\]](#)
- [5. pubs.acs.org \[pubs.acs.org\]](#)
- [6. DESIGN, SYNTHESIS, AND BIOLOGICAL STUDY OF HISTONE DEACETYLASE2 INHIBITORS TO ENHANCE MEMORY FORMATION \[minds.wisconsin.edu\]](#)
- [7. Synthesis and biological evaluation of histone deacetylase and DNA topoisomerase II-Targeted inhibitors - PubMed \[pubmed.ncbi.nlm.nih.gov\]](#)
- [8. Design, Synthesis and Biological Evaluation of New HDAC1 and HDAC2 Inhibitors Endowed with Ligustrazine as a Novel Cap Moiety - PubMed \[pubmed.ncbi.nlm.nih.gov\]](#)
- [9. dovepress.com \[dovepress.com\]](#)
- [10. academic.oup.com \[academic.oup.com\]](#)
- To cite this document: BenchChem. [Independent Verification of HDAC2-IN-2's On-Target Effects: A Comparative Guide]. BenchChem, [2026]. [Online PDF]. Available at: [\[https://www.benchchem.com/product/b10805994/docs#independent-verification-of-hdac2-in-2-s-on-target-effects-a-comparative-guide\]](https://www.benchchem.com/product/b10805994/docs#independent-verification-of-hdac2-in-2-s-on-target-effects-a-comparative-guide)

Disclaimer & Data Validity:

The information provided in this document is for Research Use Only (RUO) and is strictly not intended for diagnostic or therapeutic procedures. While BenchChem strives to provide accurate protocols, we make no warranties, express or implied, regarding the fitness of this product for every specific experimental setup.

Technical Support: The protocols provided are for reference purposes. Unsure if this reagent suits your experiment?

Need Industrial/Bulk Grade? [Request Custom Synthesis Quote](#)

BenchChem

Our mission is to be the trusted global source of essential and advanced chemicals, empowering scientists and researchers to drive progress in science and industry.

Contact

Address: 3281 E Guasti Rd
Ontario, CA 91761, United States
Phone: (601) 213-4426
Email: info@benchchem.com

[Contact our Ph.D. Support Team for a compatibility check](#)