

Understanding the Pharmacokinetics of RO8994: A Technical Guide

Author: BenchChem Technical Support Team. **Date:** April 2026

Compound of Interest

Compound Name: RO8994
Cat. No.: B10796940

[Get Quote](#)

For Researchers, Scientists, and Drug Development Professionals

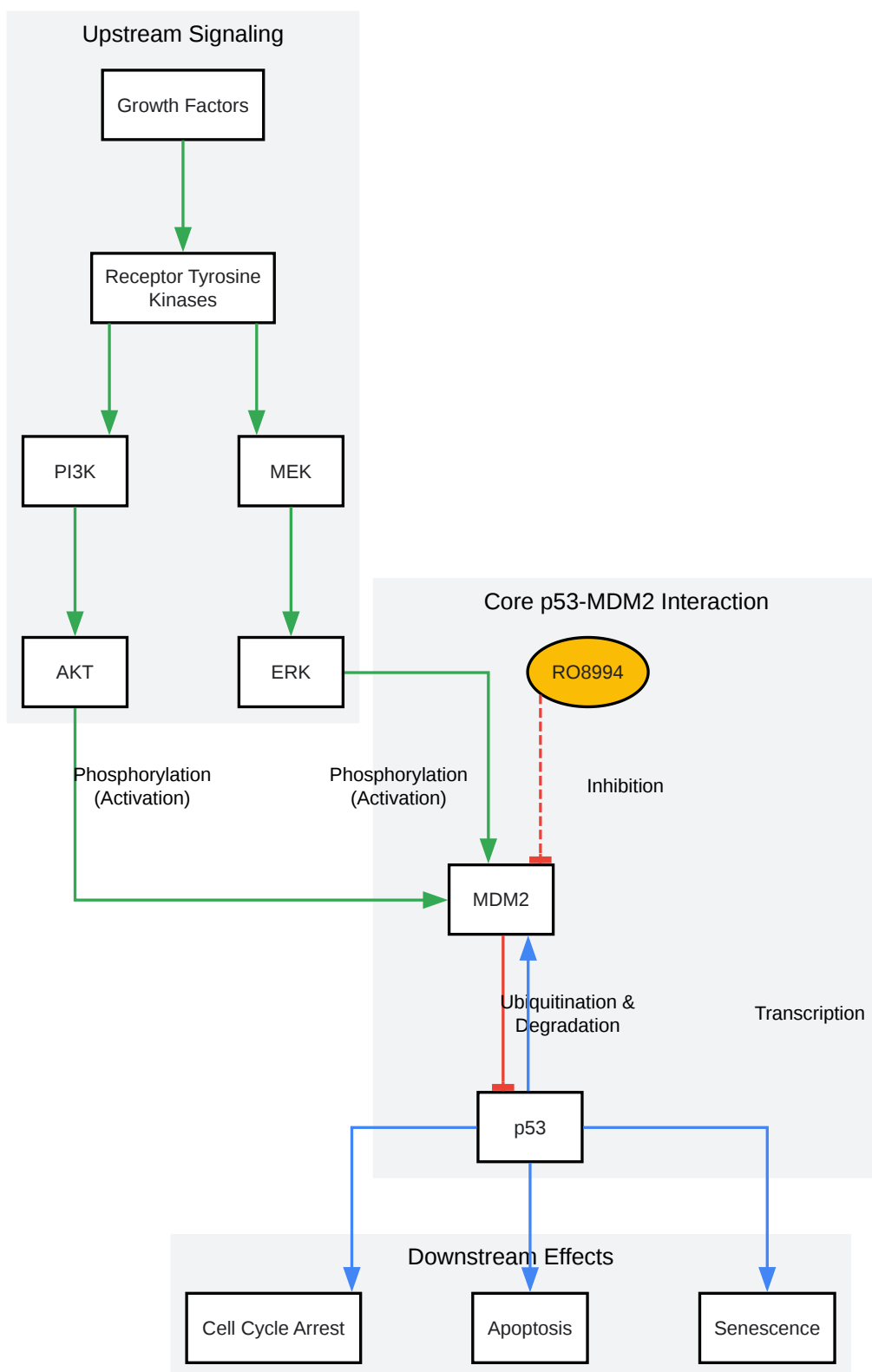
This technical guide provides a comprehensive overview of the current understanding of the pharmacokinetics of **RO8994**, a potent and selective small-molecule inhibitor of the MDM2-p53 protein-protein interaction. While specific quantitative pharmacokinetic data for **RO8994** are not publicly available, this document synthesizes the available qualitative information and presents a detailed, representative experimental framework for assessing the pharmacokinetic profile of similar compounds.

Introduction to RO8994

RO8994 is a spiroindolinone-based small molecule that acts as a highly potent and selective inhibitor of the MDM2-p53 interaction.^{[1][2][3]} By disrupting this interaction, **RO8994** is designed to reactivate the tumor suppressor protein p53 in cancer cells where it is inhibited by overexpression of MDM2. Preclinical studies have indicated that **RO8994** possesses a favorable pharmacological profile and is well-tolerated in both rodent and non-rodent species. ^[1] In vivo studies have demonstrated its efficacy in tumor growth inhibition in xenograft models. For instance, **RO8994** has been shown to achieve durable tumor regression in a mouse xenograft model of SJSA-1 osteosarcoma at an oral dose of 6.25 mg/kg administered daily.^[1]

Mechanism of Action: The p53-MDM2 Signaling Pathway

RO8994's mechanism of action is centered on the inhibition of MDM2, a key negative regulator of the p53 tumor suppressor. In many cancers with wild-type p53, MDM2 is overexpressed, leading to the ubiquitination and subsequent proteasomal degradation of p53, thereby abrogating its tumor-suppressive functions. **RO8994** binds to the p53-binding pocket of MDM2, preventing the interaction between the two proteins. This leads to the stabilization and activation of p53, which can then induce cell cycle arrest, apoptosis, and senescence in cancer cells. The activity of MDM2 itself can be regulated by upstream signaling pathways such as the MEK/ERK and PI3K/AKT pathways, which can lead to its phosphorylation and activation.



[Click to download full resolution via product page](#)

Caption: The p53-MDM2 signaling pathway and the mechanism of action of **RO8994**.

Pharmacokinetics of RO8994

While detailed quantitative data on the pharmacokinetics of **RO8994** are not available in the public domain, preclinical studies have consistently described it as having an "excellent pharmacokinetic profile". This suggests favorable absorption, distribution, metabolism, and excretion (ADME) properties. Furthermore, dose-ranging studies in rodents and non-rodents have indicated that **RO8994** is well-tolerated. The demonstrated in vivo efficacy at a relatively low oral dose in a mouse xenograft model further supports the notion of good oral bioavailability and effective exposure at the tumor site.

Table 1: Summary of Publicly Available Pharmacokinetic-Related Information for **RO8994**

Parameter	Species	Value/Observation	Reference
In Vivo Efficacy Dose	Mouse	6.25 mg/kg (oral, daily) in SJSA-1 xenograft	
Tolerability	Rodents & Non-rodents	Well-tolerated in dose-ranging studies	
General Profile	-	Described as having an "excellent PK profile"	

Experimental Protocols for Preclinical Pharmacokinetic Assessment

The following section outlines a detailed, representative protocol for conducting a preclinical pharmacokinetic study of a small molecule inhibitor like **RO8994**.

Animal Models

- Species: Male and female Sprague-Dawley rats (8-10 weeks old) and Beagle dogs (6-12 months old).
- Acclimatization: Animals are acclimated for at least one week prior to the study in a controlled environment (temperature, humidity, and light/dark cycle) with ad libitum access to

standard chow and water.

Formulation and Dosing

- **Intravenous (IV) Formulation:** The compound is dissolved in a suitable vehicle, such as a solution of 10% DMSO, 40% PEG300, and 50% saline, to a final concentration of 1 mg/mL. The formulation is filtered through a 0.22 µm filter before administration.
- **Oral (PO) Formulation:** The compound is suspended in a vehicle such as 0.5% methylcellulose in water to a final concentration of 5 mg/mL.
- **Dosing:**
 - **Rats:** A single intravenous dose of 1 mg/kg is administered via the tail vein. A single oral gavage dose of 10 mg/kg is administered.
 - **Dogs:** A single intravenous dose of 0.5 mg/kg is administered via the cephalic vein. A single oral gavage dose of 5 mg/kg is administered.

Sample Collection

- **Blood Sampling (Rats):** Serial blood samples (approximately 0.2 mL) are collected from the jugular vein at pre-dose, and at 0.083, 0.25, 0.5, 1, 2, 4, 8, 12, and 24 hours post-dose. Blood is collected into tubes containing an anticoagulant (e.g., K2EDTA).
- **Blood Sampling (Dogs):** Blood samples (approximately 1 mL) are collected from the cephalic or saphenous vein at pre-dose, and at 0.083, 0.25, 0.5, 1, 2, 4, 8, 12, 24, and 48 hours post-dose into tubes containing an anticoagulant.
- **Plasma Preparation:** Blood samples are centrifuged at 4°C (e.g., 3000 x g for 10 minutes) within 30 minutes of collection to separate the plasma. Plasma samples are stored at -80°C until analysis.

Bioanalytical Method

- **Method:** A validated liquid chromatography-tandem mass spectrometry (LC-MS/MS) method is used to quantify the concentration of the compound in plasma samples.

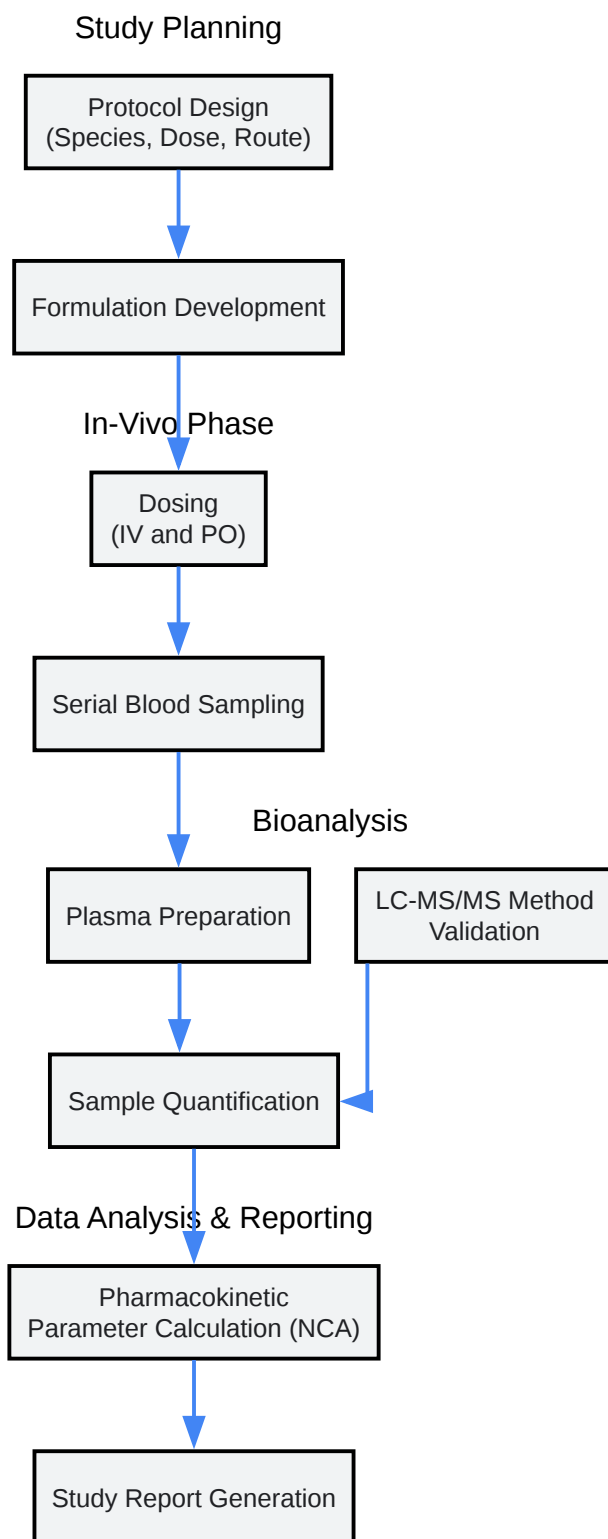
- **Sample Preparation:** Plasma samples are thawed and subjected to protein precipitation with acetonitrile containing an internal standard. After centrifugation, the supernatant is analyzed.
- **Calibration and Quality Control:** Calibration standards and quality control samples are prepared in blank plasma and analyzed with each batch of study samples to ensure the accuracy and precision of the assay.

Pharmacokinetic Analysis

- **Software:** Pharmacokinetic parameters are calculated using non-compartmental analysis (NCA) with a validated software package (e.g., Phoenix WinNonlin).
- **Parameters Calculated:**
 - Maximum plasma concentration (C_{max}) and time to reach C_{max} (T_{max}) are determined directly from the plasma concentration-time data.
 - Area under the plasma concentration-time curve (AUC) from time zero to the last measurable concentration (AUC_{0-t}) is calculated using the linear trapezoidal rule. AUC from time zero to infinity (AUC_{0-inf}) is calculated as $AUC_{0-t} + C_{last}/\lambda_z$, where C_{last} is the last measurable concentration and λ_z is the terminal elimination rate constant.
 - Terminal half-life ($t_{1/2}$) is calculated as $0.693/\lambda_z$.
 - Clearance (CL) is calculated as $Dose_{IV}/AUC_{0-inf, IV}$.
 - Volume of distribution at steady state (V_{ss}) is calculated from the IV data.
 - Oral bioavailability ($F\%$) is calculated as $(AUC_{0-inf, PO} / AUC_{0-inf, IV}) \times (Dose_{IV} / Dose_{PO}) \times 100$.

Experimental Workflow Visualization

The following diagram illustrates the typical workflow for a preclinical pharmacokinetic study.



[Click to download full resolution via product page](#)

Need Custom Synthesis?

BenchChem offers custom synthesis for rare earth carbides and specific isotopic labeling.

Email: info@benchchem.com or [Request Quote Online](#).

References

- [1. researchgate.net \[researchgate.net\]](https://www.researchgate.net)
- [2. Discovery of potent and selective spiroindolinone MDM2 inhibitor, RO8994, for cancer therapy - PubMed \[pubmed.ncbi.nlm.nih.gov\]](https://pubmed.ncbi.nlm.nih.gov/)
- [3. Discovery of potent and selective spiroindolinone MDM2 inhibitor, RO8994, for cancer therapy PMID: 24997575 | MCE \[medchemexpress.cn\]](https://www.medchemexpress.cn/)
- To cite this document: BenchChem. [Understanding the Pharmacokinetics of RO8994: A Technical Guide]. BenchChem, [2026]. [Online PDF]. Available at: [\[https://www.benchchem.com/product/b10796940/docs#understanding-the-pharmacokinetics-of-ro8994-a-technical-guide\]](https://www.benchchem.com/product/b10796940/docs#understanding-the-pharmacokinetics-of-ro8994-a-technical-guide)

Disclaimer & Data Validity:

The information provided in this document is for Research Use Only (RUO) and is strictly not intended for diagnostic or therapeutic procedures. While BenchChem strives to provide accurate protocols, we make no warranties, express or implied, regarding the fitness of this product for every specific experimental setup.

Technical Support: The protocols provided are for reference purposes. Unsure if this reagent suits your experiment?

Need Industrial/Bulk Grade? [Request Custom Synthesis Quote](#)

BenchChem

Our mission is to be the trusted global source of essential and advanced chemicals, empowering scientists and researchers to drive progress in science and industry.

Contact

Address: 3281 E Guasti Rd

Ontario, CA 91761, United States

Phone: (601) 213-4426

Email: info@benchchem.com

[Contact our Ph.D. Support Team for a compatibility check](#)