

# Essential Guide to the Proper Disposal of STING Agonist-15

**Author:** BenchChem Technical Support Team. **Date:** April 2026

## Compound of Interest

Compound Name: STING agonist-15

Cat. No.: B10782765

[Get Quote](#)

This document provides crucial safety and logistical information for the proper disposal of **STING Agonist-15**, a stimulator of interferon genes (STING) pathway agonist used in research and drug development. Adherence to these procedures is vital to ensure laboratory safety and environmental compliance. These guidelines are based on general best practices for laboratory chemical waste and information from safety data sheets (SDS) of similar STING agonist compounds.

**Audience:** This guide is intended for researchers, scientists, and drug development professionals who handle **STING Agonist-15** in a laboratory setting.

## I. Immediate Safety and Handling Precautions

Before beginning any disposal procedure, it is imperative to handle **STING Agonist-15** with appropriate personal protective equipment (PPE).

- **Personal Protective Equipment (PPE):** Always wear chemical-resistant gloves (e.g., nitrile), safety goggles with side shields, and a lab coat.
- **Ventilation:** Work in a well-ventilated area, preferably within a chemical fume hood, to avoid inhalation of any dust or aerosols.

- Spill Management: In case of a spill, prevent further leakage and keep the substance away from drains or water courses.[1] Absorb solutions with an inert, finely-powdered liquid-binding material such as diatomite or universal binders.[1] Decontaminate surfaces and equipment by scrubbing with a suitable solvent like alcohol.[1]

## II. Step-by-Step Disposal Procedures

The proper disposal of **STING Agonist-15**, like other chemical waste, must be conducted in accordance with all applicable federal, state, and local regulations.[1]

### Step 1: Waste Segregation

- Solid Waste: Collect unused or expired **STING Agonist-15** powder, contaminated PPE (gloves, wipes), and any contaminated lab supplies (e.g., weigh boats, pipette tips) in a designated, clearly labeled hazardous waste container.
- Liquid Waste: Collect solutions containing **STING Agonist-15** in a separate, leak-proof, and clearly labeled hazardous waste container. Do not mix with other incompatible waste streams.
- Sharps Waste: Needles, syringes, or other sharps contaminated with **STING Agonist-15** must be disposed of in a designated sharps container.

### Step 2: Waste Container Labeling

- All waste containers must be clearly labeled with the words "Hazardous Waste," the full chemical name ("**STING Agonist-15**"), and any other identifiers required by your institution's Environmental Health and Safety (EHS) department.

### Step 3: Storage of Waste

- Store waste containers in a cool, well-ventilated, and designated satellite accumulation area.
- Ensure containers are tightly sealed to prevent leaks or spills.[1]
- Keep away from direct sunlight and sources of ignition.[1]

- Incompatible materials such as strong acids/alkalis and strong oxidizing/reducing agents should be stored separately.<sup>[1]</sup>

#### Step 4: Scheduling Waste Pickup

- Contact your institution's EHS department to schedule a pickup for the hazardous waste. Do not dispose of **STING Agonist-15** down the drain or in regular trash.

### III. Data Presentation: Waste Log

Maintain a detailed log for all **STING Agonist-15** waste generated. This is crucial for regulatory compliance and safety audits.

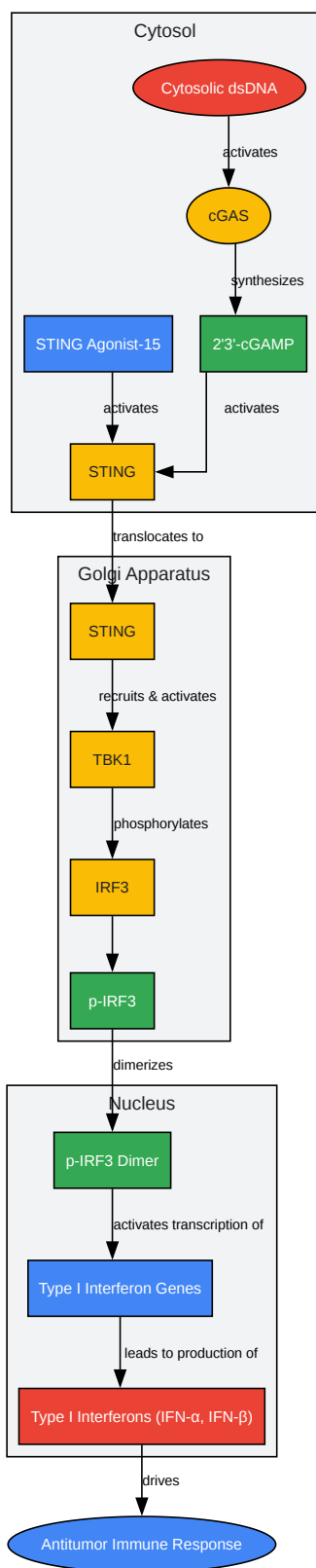
Date	Researcher Name	Waste Type (Solid/Liquid)	Quantity (mg or mL)	Concentration (if applicable)	Container ID	Pickup Date
------	-----------------	---------------------------	---------------------	-------------------------------	--------------	-------------

### IV. Experimental Protocols and Signaling Pathways

While specific experimental protocols for **STING Agonist-15** are proprietary or application-dependent, the activation of the STING pathway is a key mechanism in its function as an immunotherapeutic agent.<sup>[2][3]</sup>

#### STING Signaling Pathway Overview

The STING (Stimulator of Interferon Genes) pathway is a critical component of the innate immune system that detects cytosolic DNA. Upon activation by agonists like **STING Agonist-15**, STING triggers a signaling cascade that leads to the production of type I interferons and other inflammatory cytokines, which in turn activate T cells and natural killer (NK) cells to target and eliminate cancer cells.<sup>[3]</sup>

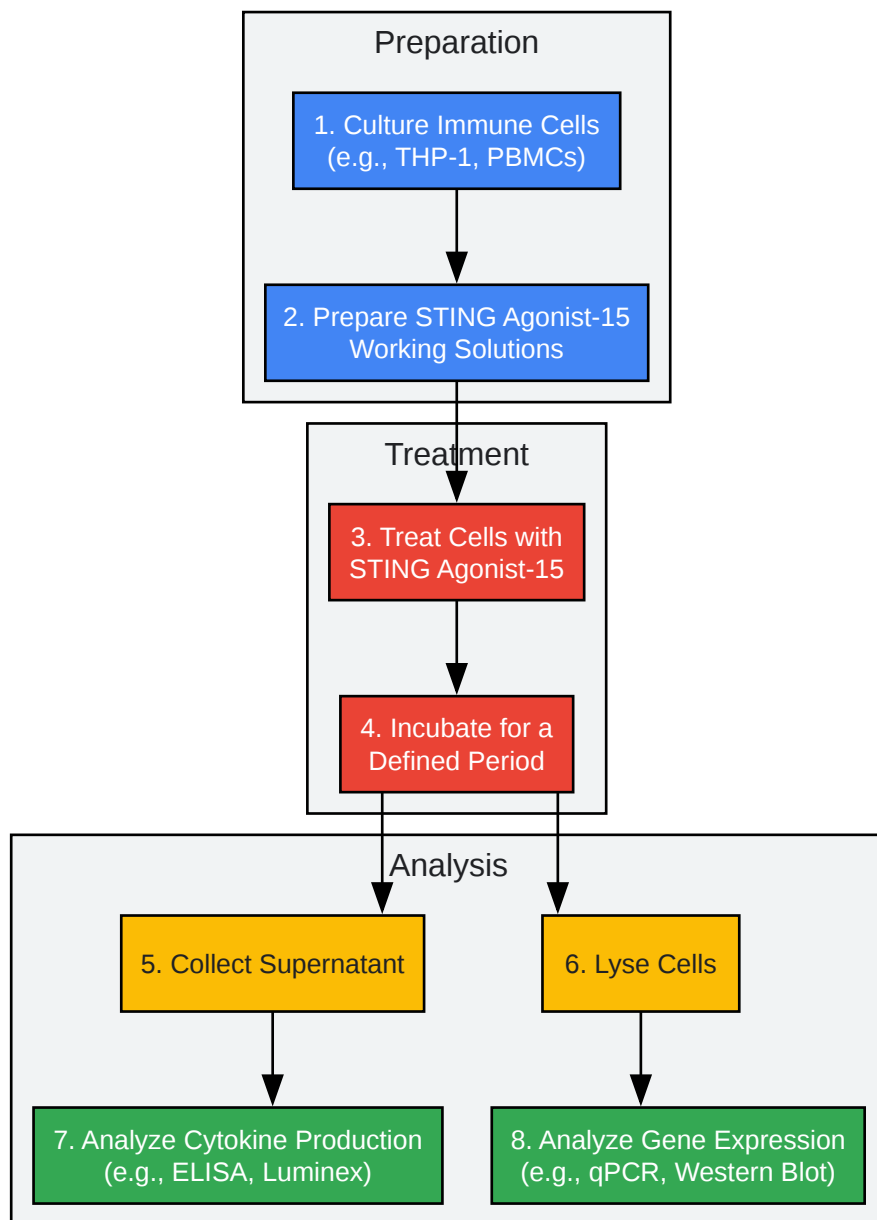


[Click to download full resolution via product page](#)

Caption: STING signaling pathway activated by **STING Agonist-15**.

Experimental Workflow for In Vitro Studies

A typical in vitro experiment involving **STING Agonist-15** would follow a workflow designed to assess its efficacy in stimulating an immune response.

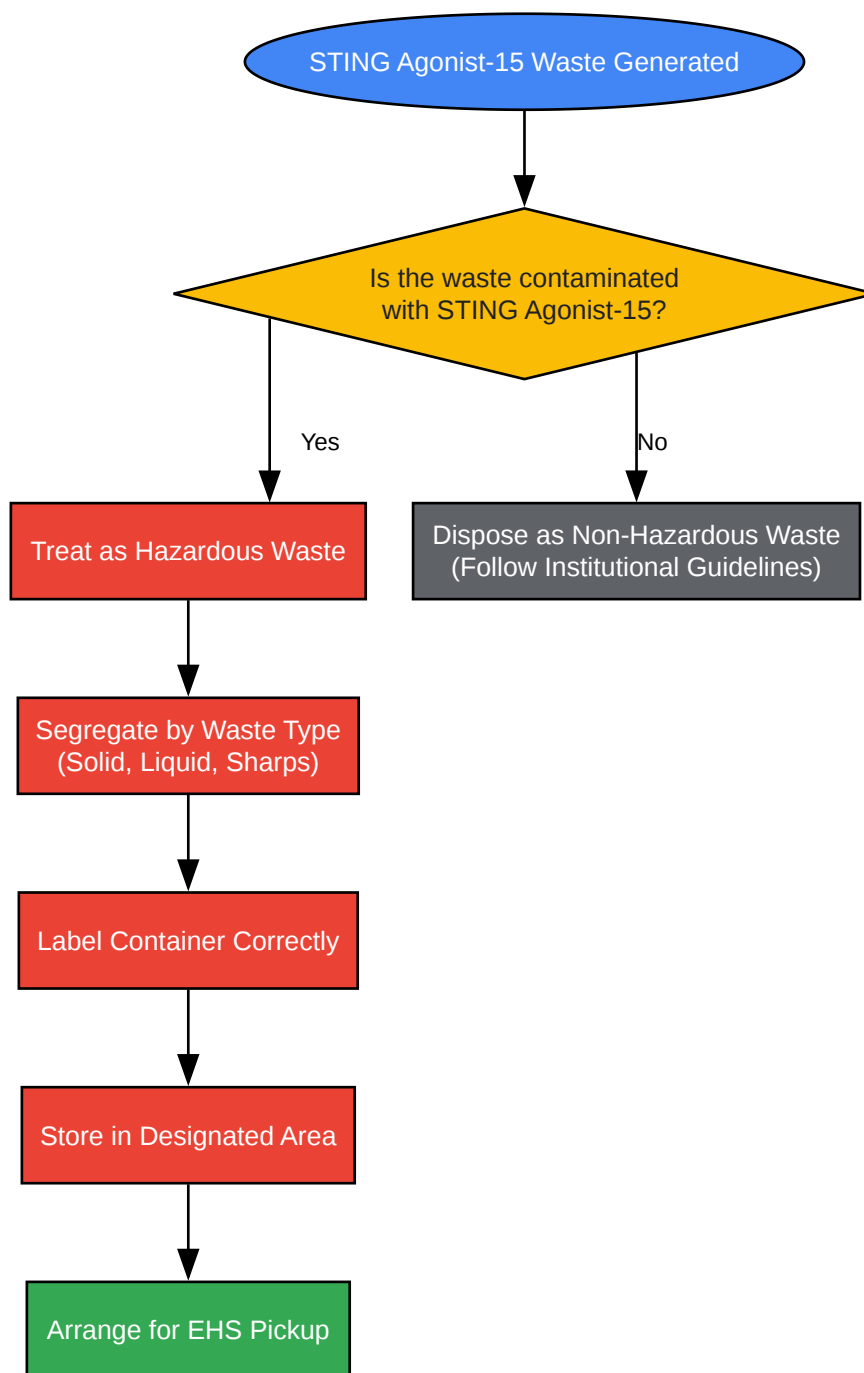


[Click to download full resolution via product page](#)

Caption: General experimental workflow for in vitro analysis of **STING Agonist-15**.

Logical Relationship for Waste Disposal Decision-Making

The decision-making process for the disposal of **STING Agonist-15** should follow a logical flow to ensure safety and compliance.



[Click to download full resolution via product page](#)

Caption: Decision-making workflow for **STING Agonist-15** waste disposal.

**Need Custom Synthesis?**

BenchChem offers custom synthesis for rare earth carbides and specific isotopic labeling.

Email: [info@benchchem.com](mailto:info@benchchem.com) or [Request Quote Online](#).

## References

- [1. file.medchemexpress.com](https://file.medchemexpress.com) [file.medchemexpress.com]
- [2. STING Agonists and How to Reach Their Full Potential in Cancer Immunotherapy - PMC](https://pubmed.ncbi.nlm.nih.gov/36812345/) [pmc.ncbi.nlm.nih.gov]
- [3. Delivery of STING agonists for cancer immunotherapy - PMC](https://pubmed.ncbi.nlm.nih.gov/36812345/) [pmc.ncbi.nlm.nih.gov]
- To cite this document: BenchChem. [Essential Guide to the Proper Disposal of STING Agonist-15]. BenchChem, [2026]. [Online PDF]. Available at: [\[https://www.benchchem.com/product/b10782765/docs#essential-guide-to-the-proper-disposal-of-sting-agonist-15\]](https://www.benchchem.com/product/b10782765/docs#essential-guide-to-the-proper-disposal-of-sting-agonist-15)

---

**Disclaimer & Data Validity:**

The information provided in this document is for Research Use Only (RUO) and is strictly not intended for diagnostic or therapeutic procedures. While BenchChem strives to provide accurate protocols, we make no warranties, express or implied, regarding the fitness of this product for every specific experimental setup.

**Technical Support:** The protocols provided are for reference purposes. Unsure if this reagent suits your experiment?

**Need Industrial/Bulk Grade?** [Request Custom Synthesis Quote](#)

# BenchChem

Our mission is to be the trusted global source of essential and advanced chemicals, empowering scientists and researchers to drive progress in science and industry.

## Contact

Address: 3281 E Guasti Rd

Ontario, CA 91761, United States

Phone: (601) 213-4426

Email: [info@benchchem.com](mailto:info@benchchem.com)

[Contact our Ph.D. Support Team for a compatibility check](#)