

Dissolving K-8794 for Research Applications: A Detailed Guide

Author: BenchChem Technical Support Team. **Date:** April 2026

Compound of Interest

Compound Name: K-8794
Cat. No.: B10778979

[Get Quote](#)

For Researchers, Scientists, and Drug Development Professionals

This document provides detailed application notes and protocols for the dissolution and use of **K-8794**, a selective endothelin receptor B (ETB) antagonist, in a research setting. The information is intended to guide researchers in preparing **K-8794** for in vitro and in vivo studies.

Product Information and Storage

K-8794 is an orally active and selective antagonist of the endothelin B (ETB) receptor, making it a valuable tool for investigating the roles of this receptor in various physiological and pathological processes, particularly in cardiovascular diseases.

Table 1: Physicochemical and Storage Information for **K-8794**

Property	Value	Source
Molecular Weight	682.79 g/mol	N/A
Appearance	Solid powder	N/A
Storage (Powder)	-20°C for up to 3 years	N/A
Storage (In Solvent)	-80°C for up to 1 year	N/A

Dissolution of K-8794 for Stock Solution Preparation

Based on available data, Dimethyl Sulfoxide (DMSO) is the recommended solvent for preparing a stock solution of **K-8794**. DMSO is a powerful, water-miscible organic solvent commonly used for dissolving a wide array of organic compounds for in vitro and in vivo research.

Protocol for Preparing a **K-8794** Stock Solution:

- Materials:
 - **K-8794** powder
 - Anhydrous Dimethyl Sulfoxide (DMSO)
 - Sterile, polypropylene microcentrifuge tubes or vials
- Procedure:
 - Equilibrate the **K-8794** vial to room temperature before opening to prevent moisture condensation.
 - Weigh the desired amount of **K-8794** powder using a calibrated analytical balance.
 - Add the appropriate volume of DMSO to achieve the desired stock solution concentration. While specific solubility data is not readily available, a common starting point for preparing stock solutions of novel compounds is 10 mM.
 - To prepare a 10 mM stock solution, dissolve 6.83 mg of **K-8794** in 1 mL of DMSO.

- Vortex the solution thoroughly to ensure the compound is completely dissolved. Gentle warming (e.g., in a 37°C water bath) may be used to aid dissolution if necessary.
- Aliquot the stock solution into smaller, single-use volumes to avoid repeated freeze-thaw cycles, which can degrade the compound.
- Store the stock solution aliquots at -80°C.

Table 2: Example Stock Solution Preparation

Desired Stock Concentration	Mass of K-8794 (mg)	Volume of DMSO (mL)
10 mM	6.83	1
20 mM	13.66	1
50 mM	34.15	1

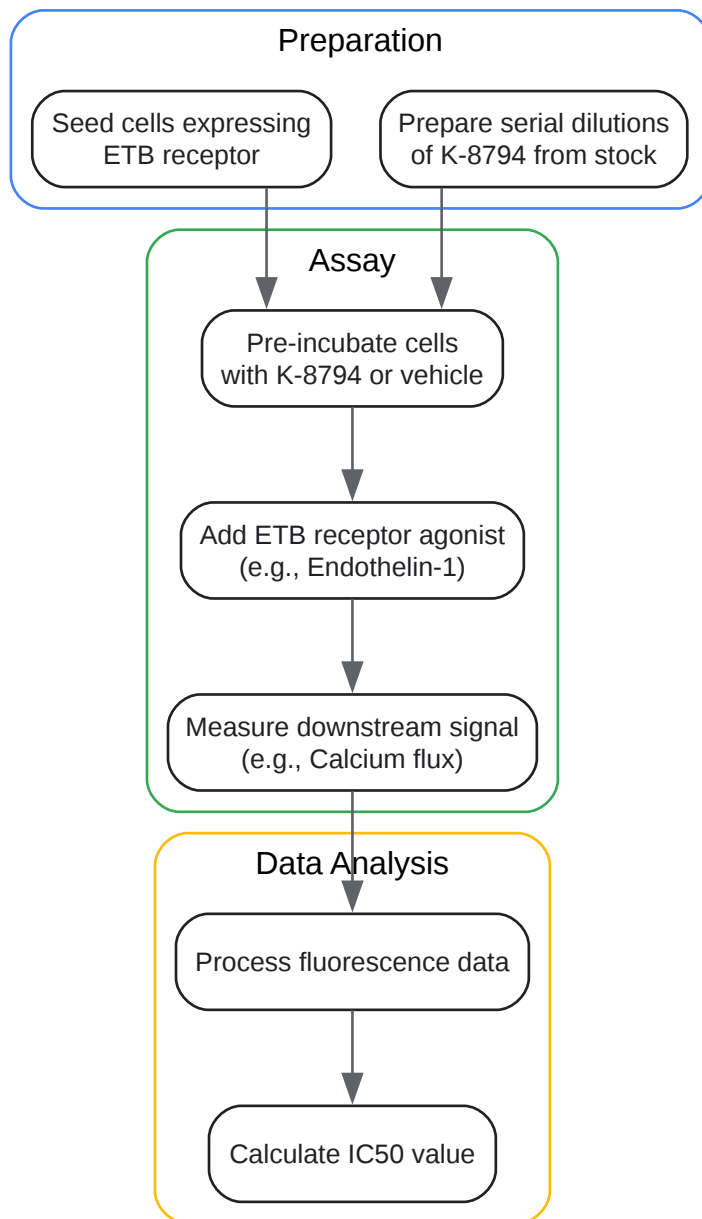
Note: It is recommended to perform a small-scale solubility test to confirm the desired concentration is achievable before preparing a large volume of stock solution.

Application in In Vitro Cell-Based Assays

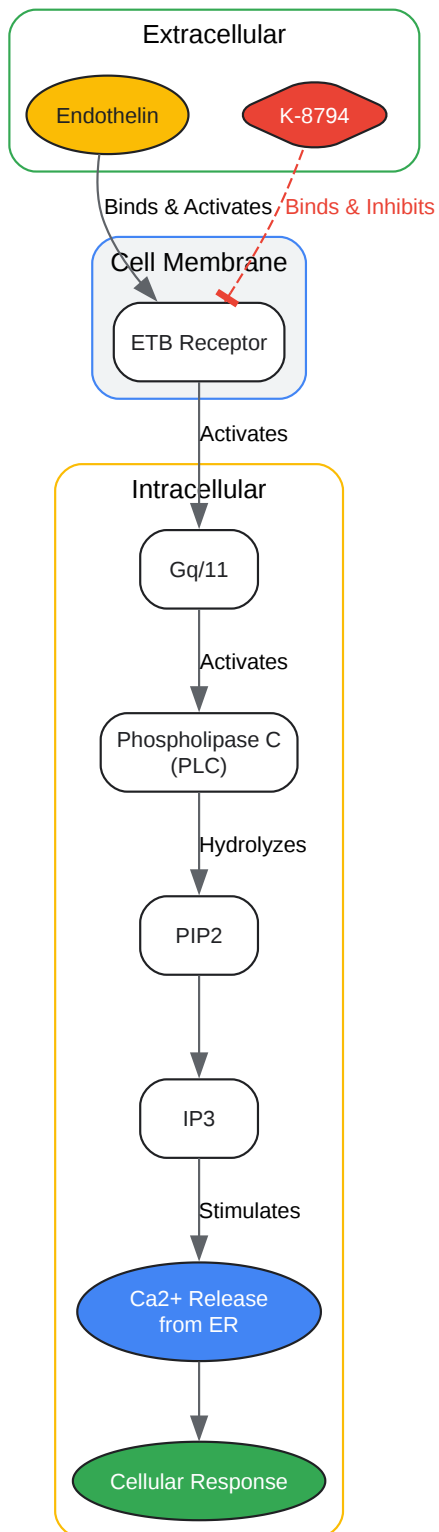
K-8794, as an ETB receptor antagonist, can be used in various cell-based assays to study the downstream signaling pathways of the ETB receptor. A common method to assess the activity of G-protein coupled receptors like the ETB receptor is through a calcium flux assay.

Experimental Workflow for an In Vitro ETB Receptor Antagonist Assay:

Experimental Workflow: In Vitro ETB Antagonist Assay



ETB Receptor Signaling Pathway and K-8794 Inhibition



[Click to download full resolution via product page](#)

- To cite this document: BenchChem. [Dissolving K-8794 for Research Applications: A Detailed Guide]. BenchChem, [2026]. [Online PDF]. Available at: [<https://www.benchchem.com/product/b10778979/docs#dissolving-k-8794-for-research-applications-a-detailed-guide>]

Disclaimer & Data Validity:

The information provided in this document is for Research Use Only (RUO) and is strictly not intended for diagnostic or therapeutic procedures. While BenchChem strives to provide accurate protocols, we make no warranties, express or implied, regarding the fitness of this product for every specific experimental setup.

Technical Support: The protocols provided are for reference purposes. Unsure if this reagent suits your experiment?

Need Industrial/Bulk Grade? [Request Custom Synthesis Quote](#)

BenchChem

Our mission is to be the trusted global source of essential and advanced chemicals, empowering scientists and researchers to drive progress in science and industry.

Contact

Address: 3281 E Guasti Rd
Ontario, CA 91761, United States
Phone: (601) 213-4426
Email: info@benchchem.com

[Contact our Ph.D. Support Team for a compatibility check](#)