

# In-Depth Technical Guide on Geranylgeranylated Protein Inhibitors

**Author:** BenchChem Technical Support Team. **Date:** April 2026

## Compound of Interest

**Compound Name:** *N-Acetyl-S-geranylgeranyl-L-cysteine*

**Cat. No.:** B10767639

[Get Quote](#)

For Researchers, Scientists, and Drug Development Professionals

This guide provides a comprehensive literature review of geranylgeranylated protein inhibitors, focusing on their core mechanisms, quantitative efficacy, and the experimental protocols used for their characterization. It is designed to serve as a valuable resource for researchers and professionals involved in drug discovery and development.

## Introduction to Protein Geranylgeranylation

Protein geranylgeranylation is a crucial post-translational modification involving the attachment of a 20-carbon isoprenoid lipid, the geranylgeranyl group, to cysteine residues of target proteins.[1] This process is a type of prenylation and is essential for the proper localization and function of many signaling proteins, particularly small GTPases of the Rho, Rac, and Rab families.[2][3] These proteins play a vital role in a multitude of cellular processes, including cell growth, differentiation, cytoskeletal organization, and vesicular trafficking.[1][4]

The geranylgeranyl group is derived from geranylgeranyl pyrophosphate (GGPP). The transfer of this lipid moiety to proteins is catalyzed by two main enzymes:

- Geranylgeranyltransferase type I (GGTase-I or PGGT-1): This enzyme typically recognizes proteins with a C-terminal "CaaL" motif, where 'C' is cysteine, 'a' is an aliphatic amino acid, and 'L' is leucine.[3]
- Rab geranylgeranyltransferase (RabGGTase or GGTase-II): This enzyme is responsible for the prenylation of Rab GTPases, which are key regulators of intracellular vesicle transport.[1][2]

Given the central role of geranylgeranylated proteins in cellular signaling, particularly in pathways often dysregulated in diseases like cancer, the enzymes that catalyze this modification have emerged as promising therapeutic targets.[5][6] Inhibitors of these enzymes, known as geranylgeranyltransferase inhibitors (GGTIs), can disrupt the function of these critical signaling proteins, leading to anti-proliferative and other therapeutic effects.[5]

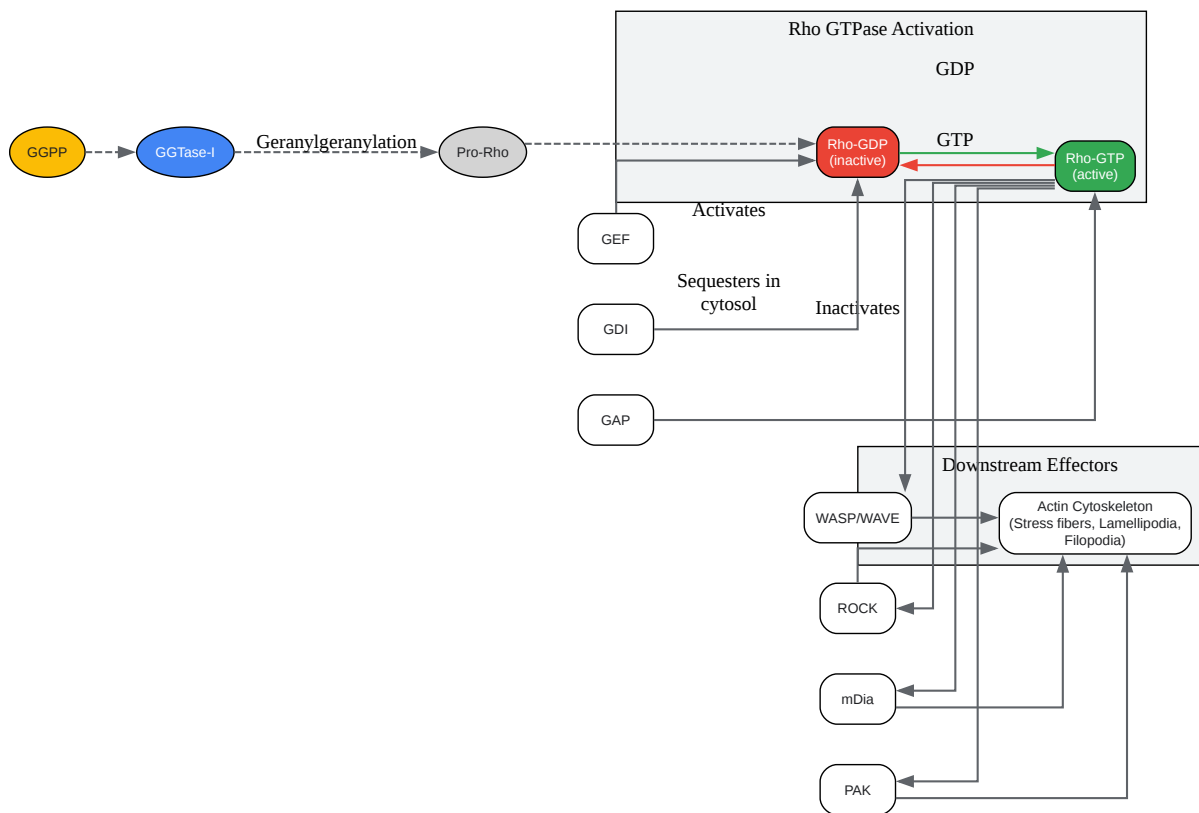
## Signaling Pathways of Geranylgeranylated Proteins

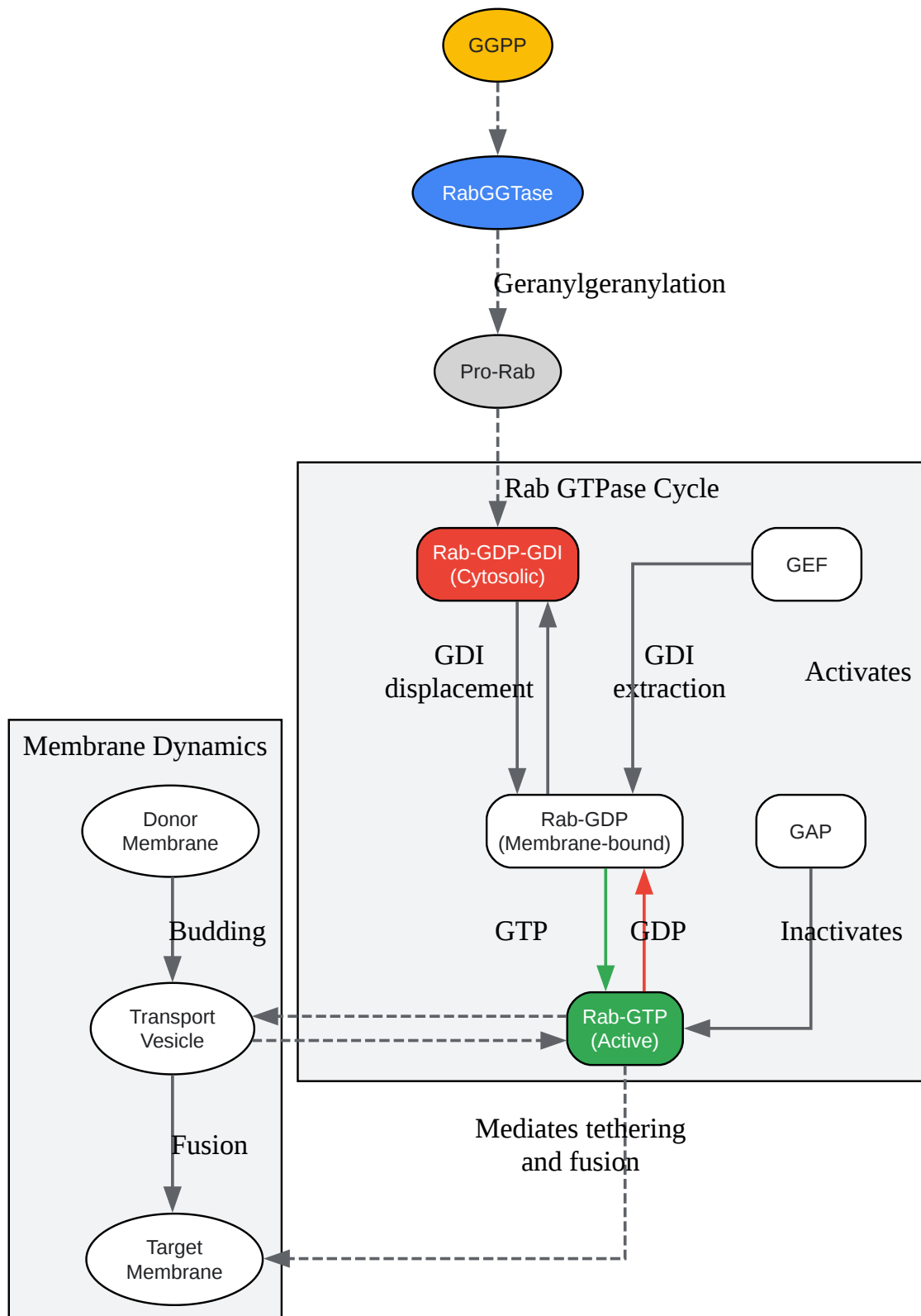
Geranylgeranylated proteins are integral components of numerous signaling pathways. The two most prominent families of geranylgeranylated proteins are the Rho and Rab GTPases.

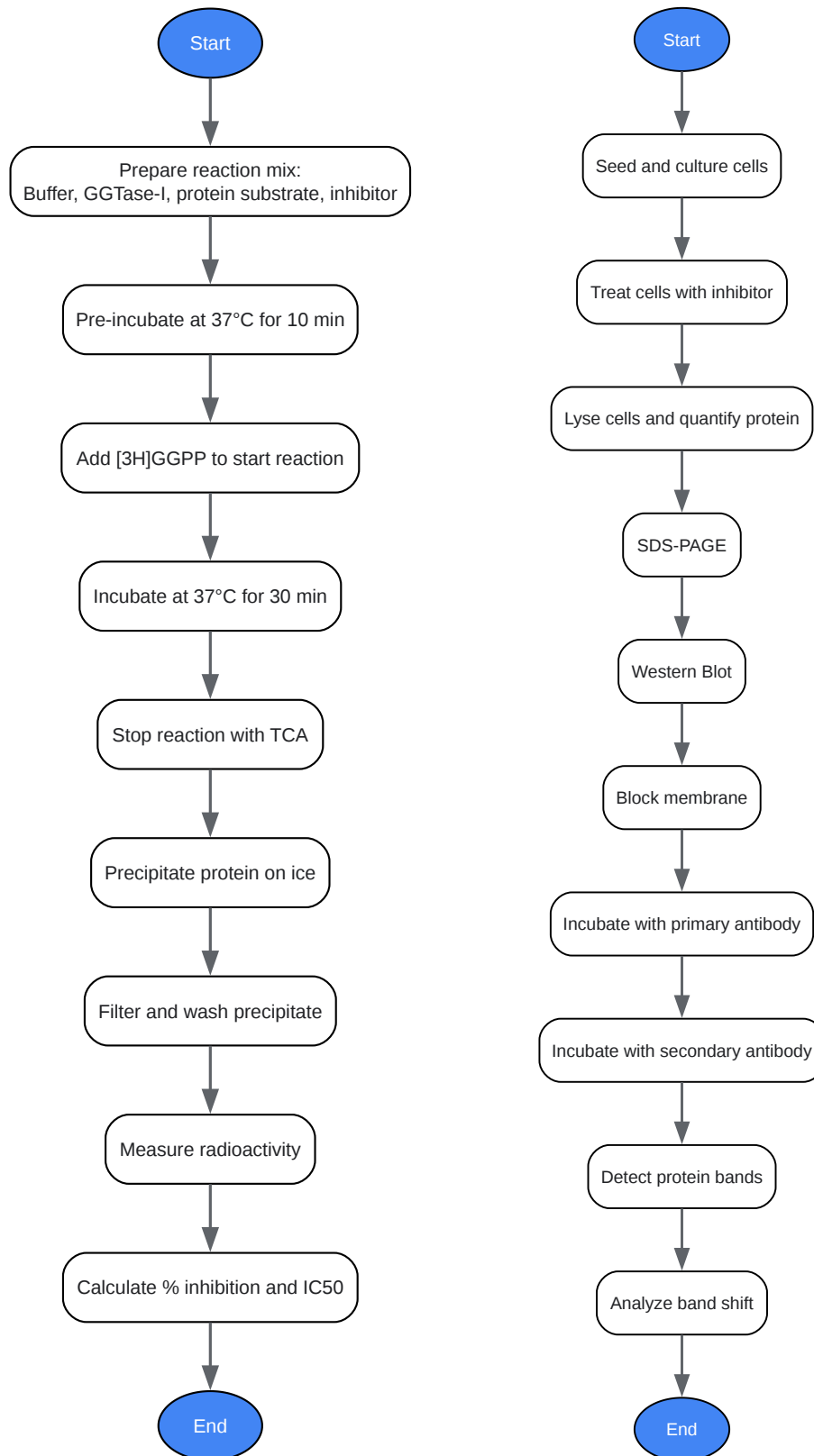
### Rho GTPase Signaling Pathway

The Rho family of small GTPases, including RhoA, Rac1, and Cdc42, are master regulators of the actin cytoskeleton, cell polarity, and cell migration.[7] Their activity is tightly controlled by a cycle of GTP-binding (active state) and GDP-binding (inactive state). Geranylgeranylation is required to anchor these proteins to the cell membrane, where they can interact with their downstream effectors.[6]

Below is a diagram illustrating the general activation and downstream signaling of Rho GTPases.







[Click to download full resolution via product page](#)

### Need Custom Synthesis?

BenchChem offers custom synthesis for rare earth carbides and specific isotopic labeling.

Email: [info@benchchem.com](mailto:info@benchchem.com) or [Request Quote Online](#).

## References

- 1. The Regulatory RAB and ARF GTPases for Vesicular Trafficking - PMC [[pmc.ncbi.nlm.nih.gov](https://pubmed.ncbi.nlm.nih.gov/)]
- 2. [journals.physiology.org](https://journals.physiology.org/) [[journals.physiology.org](https://journals.physiology.org/)]
- 3. Rho family of GTPases - Wikipedia [[en.wikipedia.org](https://en.wikipedia.org/)]
- 4. [geneglobe.qiagen.com](https://geneglobe.qiagen.com/) [[geneglobe.qiagen.com](https://geneglobe.qiagen.com/)]
- 5. Rho Family GTPases and Cellular Transformation - Madame Curie Bioscience Database - NCBI Bookshelf [[ncbi.nlm.nih.gov](https://pubmed.ncbi.nlm.nih.gov/)]
- 6. Signaling Through Rho GTPase Pathway as Viable Drug Target - PMC [[pmc.ncbi.nlm.nih.gov](https://pubmed.ncbi.nlm.nih.gov/)]
- 7. [creative-diagnostics.com](https://creative-diagnostics.com/) [[creative-diagnostics.com](https://creative-diagnostics.com/)]
- To cite this document: BenchChem. [In-Depth Technical Guide on Geranylgeranylated Protein Inhibitors]. BenchChem, [2026]. [Online PDF]. Available at: [<https://www.benchchem.com/product/b10767639/docs#in-depth-technical-guide-on-geranylgeranylated-protein-inhibitors>]

---

### Disclaimer & Data Validity:

The information provided in this document is for Research Use Only (RUO) and is strictly not intended for diagnostic or therapeutic procedures. While BenchChem strives to provide accurate protocols, we make no warranties, express or implied, regarding the fitness of this product for every specific experimental setup.

**Technical Support:** The protocols provided are for reference purposes. Unsure if this reagent suits your experiment?

**Need Industrial/Bulk Grade?** [Request Custom Synthesis Quote](#)

# BenchChem

Our mission is to be the trusted global source of essential and advanced chemicals, empowering scientists and researchers to drive progress in science and industry.

## Contact

Address: 3281 E Guasti Rd

Ontario, CA 91761, United States

Phone: (601) 213-4426

Email: [info@benchchem.com](mailto:info@benchchem.com)

[Contact our Ph.D. Support Team for a compatibility check](#)