

Synthesis of a Novel Selenium-Aspirin Analog for Cancer Research

Author: BenchChem Technical Support Team. **Date:** April 2026

Compound of Interest

Compound Name: *Se-Aspirin*

Cat. No.: *B10764579*

[Get Quote](#)

Application Note & Protocol

Audience: Researchers, scientists, and drug development professionals.

Abstract: This document provides a detailed protocol for the laboratory synthesis of a potent selenium-aspirin analog, designated as compound 8 in the primary literature. This compound has demonstrated significant anticancer activity, particularly against colorectal cancer cell lines. The protocol outlines the necessary reagents, equipment, and step-by-step procedures for the synthesis, purification, and characterization of this **Se-Aspirin** derivative. Additionally, quantitative data from the synthesis and the compound's impact on cancer cell signaling pathways are presented.

Introduction

Traditional non-steroidal anti-inflammatory drugs (NSAIDs) like aspirin have shown promise in cancer chemoprevention. The incorporation of selenium into the aspirin molecule has been explored to enhance its anticancer efficacy. A notable example is a **Se-Aspirin** analogue that has been shown to be more potent than the conventional chemotherapy agent 5-fluorouracil in colorectal cancer cells.^[1] This analogue induces cancer cell death by inhibiting cell cycle

progression and promoting apoptosis.[1] This protocol details the laboratory-scale synthesis of this promising **Se-Aspirin** compound.

Experimental Protocol

The synthesis of the **Se-Aspirin** analogue is a multi-step process. The following protocol is based on established methodologies for similar compounds and information available in the cited literature.

Materials and Equipment:

- Reagents: Salicylic acid, acetic anhydride, pyridine, methylselenyl chloride (CH_3SeCl) or a suitable precursor, dichloromethane (DCM), ethyl acetate, hexane, silica gel for column chromatography.
- Equipment: Round-bottom flasks, reflux condenser, magnetic stirrer with hotplate, rotary evaporator, thin-layer chromatography (TLC) plates and chamber, glass column for chromatography, standard laboratory glassware, and an inert atmosphere setup (e.g., nitrogen or argon gas).

Synthesis Procedure:

- Acetylation of Salicylic Acid:
 - In a round-bottom flask, dissolve salicylic acid in pyridine.
 - Cool the solution in an ice bath.
 - Slowly add acetic anhydride to the cooled solution while stirring.
 - Allow the reaction to warm to room temperature and stir for several hours.
 - Monitor the reaction progress using TLC.
 - Upon completion, quench the reaction with water and extract the product with dichloromethane.
 - Wash the organic layer with dilute hydrochloric acid and then with brine.

- Dry the organic layer over anhydrous sodium sulfate, filter, and concentrate under reduced pressure to obtain acetylsalicylic acid (aspirin).
- Synthesis of the **Se-Aspirin** Analogue (Compound 8):
 - Dissolve the prepared acetylsalicylic acid in anhydrous dichloromethane under an inert atmosphere.
 - In a separate flask, prepare a solution of methylselenenyl chloride (CH_3SeCl) in anhydrous dichloromethane.
 - Slowly add the methylselenenyl chloride solution to the acetylsalicylic acid solution at 0 °C.
 - Allow the reaction mixture to stir at room temperature for the time specified in the primary literature (typically several hours).
 - Monitor the reaction by TLC until the starting material is consumed.
 - Upon completion, wash the reaction mixture with water and brine.
 - Dry the organic layer over anhydrous sodium sulfate, filter, and remove the solvent using a rotary evaporator.

Purification:

- The crude product is purified by silica gel column chromatography using a mixture of ethyl acetate and hexane as the eluent.
- The fractions containing the pure product are identified by TLC, combined, and the solvent is evaporated to yield the final **Se-Aspirin** analogue as a solid.

Characterization:

- The structure and purity of the synthesized compound should be confirmed using spectroscopic methods such as:
 - ^1H NMR (Proton Nuclear Magnetic Resonance): To determine the proton environment of the molecule.

- ¹³C NMR (Carbon-13 Nuclear Magnetic Resonance): To identify the carbon skeleton.
- Mass Spectrometry (MS): To confirm the molecular weight of the compound.

Quantitative Data

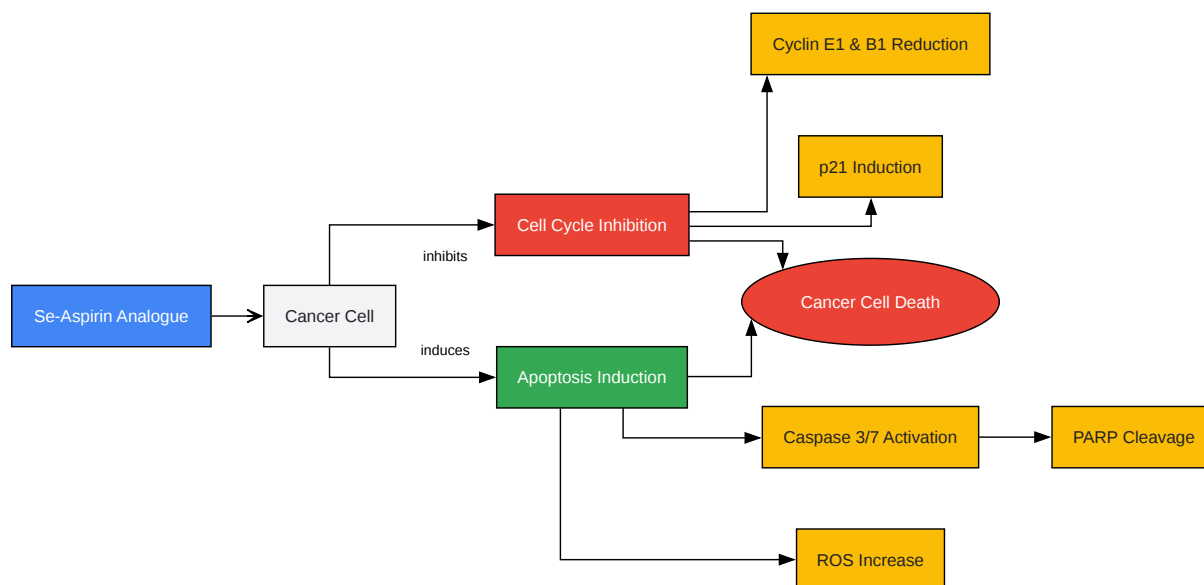
The following table summarizes the key quantitative data associated with the synthesis and activity of the **Se-Aspirin** analogue.

Parameter	Value	Reference
Physical Properties		
Molecular Formula	C ₁₀ H ₁₀ O ₄ Se	Calculated
Molecular Weight	273.14 g/mol	Calculated
Appearance	White to off-white solid	[1]
Spectroscopic Data (¹ H NMR, CDCl ₃)		
δ (ppm)	Aromatic protons, Acetyl protons, Methylselanyl protons	[1]
Biological Activity		
IC ₅₀ (Colorectal Cancer Cells)	More potent than 5-FU	[1]

Signaling Pathways and Experimental Workflow

Signaling Pathway of **Se-Aspirin** Analogue in Cancer Cells

The **Se-Aspirin** analogue exerts its anticancer effects by modulating key signaling pathways involved in cell cycle regulation and apoptosis. The compound has been shown to induce cell cycle arrest at the G1 and G2/M phases and to activate apoptotic pathways.

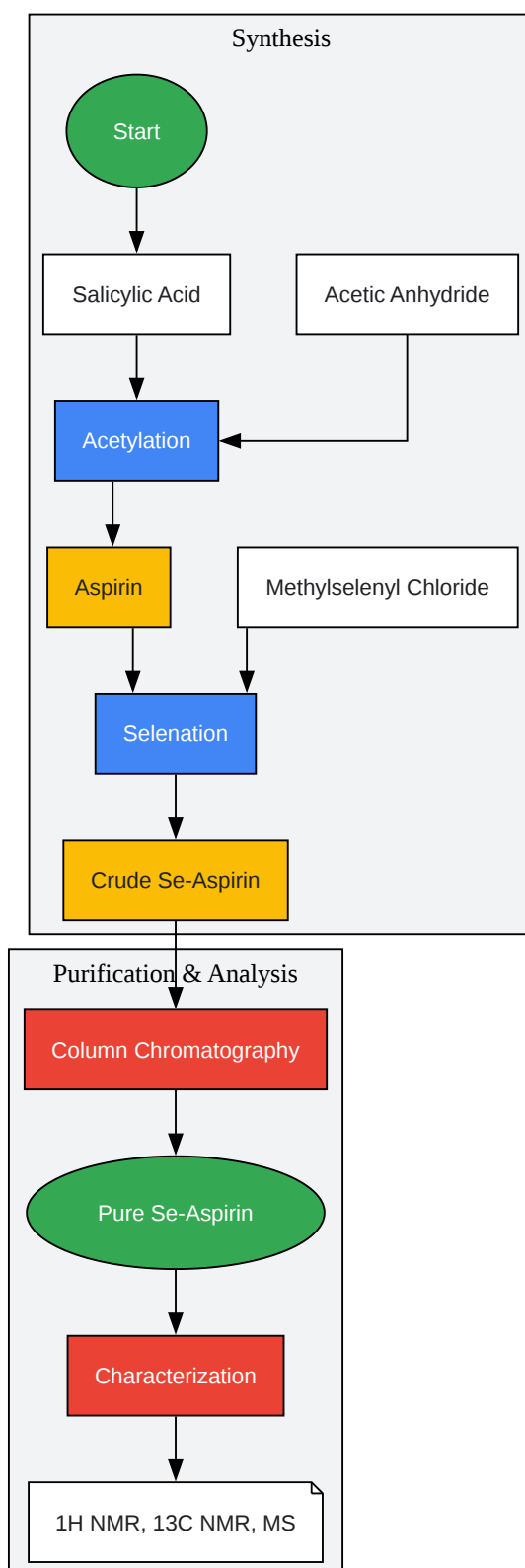


[Click to download full resolution via product page](#)

Caption: Signaling pathway of the **Se-Aspirin** analogue in cancer cells.

Experimental Workflow for **Se-Aspirin** Synthesis

The following diagram illustrates the key steps in the synthesis of the **Se-Aspirin** analogue.



[Click to download full resolution via product page](#)

Caption: Experimental workflow for the synthesis of the **Se-Aspirin** analogue.

Need Custom Synthesis?

BenchChem offers custom synthesis for rare earth carbides and specific isotopic labeling.

Email: info@benchchem.com or [Request Quote Online](#).

References

- [1. researchgate.net \[researchgate.net\]](https://www.researchgate.net)
- To cite this document: BenchChem. [Synthesis of a Novel Selenium-Aspirin Analog for Cancer Research]. BenchChem, [2026]. [Online PDF]. Available at: [\[https://www.benchchem.com/product/b10764579/docs#synthesis-of-a-novel-selenium-aspirin-analog-for-cancer-research\]](https://www.benchchem.com/product/b10764579/docs#synthesis-of-a-novel-selenium-aspirin-analog-for-cancer-research)

Disclaimer & Data Validity:

The information provided in this document is for Research Use Only (RUO) and is strictly not intended for diagnostic or therapeutic procedures. While BenchChem strives to provide accurate protocols, we make no warranties, express or implied, regarding the fitness of this product for every specific experimental setup.

Technical Support: The protocols provided are for reference purposes. Unsure if this reagent suits your experiment?

Need Industrial/Bulk Grade? [Request Custom Synthesis Quote](#)

BenchChem

Our mission is to be the trusted global source of essential and advanced chemicals, empowering scientists and researchers to drive progress in science and industry.

Contact

Address: 3281 E Guasti Rd

Ontario, CA 91761, United States

Phone: (601) 213-4426

Email: info@benchchem.com

Contact our Ph.D. Support Team for a compatibility check