

Technical Support Center: Overcoming Methazolamide Instability in Long-Term Cell Culture Experiments

Author: BenchChem Technical Support Team. **Date:** April 2026

Compound of Interest

Compound Name: *Methazolamide*

CAS No.: *1164547-86-7*

Cat. No.: *B10762108*

[Get Quote](#)

Welcome to the technical support center for researchers utilizing **Methazolamide** in long-term cell culture experiments. This resource provides troubleshooting guides and frequently asked questions (FAQs) to address common challenges related to the stability of **Methazolamide** in vitro.

Frequently Asked Questions (FAQs)

Q1: What is **Methazolamide** and what is its primary mechanism of action in a cellular context?

Methazolamide is a carbonic anhydrase inhibitor. Its primary mechanism of action is the reversible inhibition of carbonic anhydrase enzymes, which are crucial for catalyzing the interconversion of carbon dioxide (CO₂) and water to bicarbonate (HCO₃⁻) and protons (H⁺)[1][2][3]. By inhibiting this enzyme, **Methazolamide** disrupts cellular pH regulation, affecting processes that are dependent on pH homeostasis, such as cell proliferation, metabolism, and ion transport[2][4].

Q2: I'm observing a diminished or complete loss of **Methazolamide**'s effect in my long-term cell culture experiments. What could be the cause?

The most likely cause is the degradation of **Methazolamide** in the cell culture medium over time. The stability of **Methazolamide** is known to be pH-dependent, and the conditions in a cell culture incubator (37°C, 5% CO₂) can contribute to its degradation[5]. It is crucial to consider the stability of the compound in your specific experimental setup.

Q3: How should I prepare and store my **Methazolamide** stock solution to ensure its stability?

For optimal stability, it is recommended to prepare a high-concentration stock solution of **Methazolamide** in a suitable solvent like DMSO. This stock solution should be aliquoted into single-use volumes to avoid repeated freeze-thaw cycles and stored at -20°C or -80°C, protected from light. Under these conditions, the stock solution can be stable for an extended period (e.g., up to 6 months at -20°C and 1 year at -80°C)[6]. When preparing working solutions, dilute the stock directly into the pre-warmed cell culture medium immediately before use.

Q4: How often should I replace the **Methazolamide**-containing medium in my long-term experiments?

The frequency of medium replacement will depend on the stability of **Methazolamide** in your specific cell culture medium and experimental conditions. As a general guideline, for long-term experiments, it is advisable to replace the medium containing freshly diluted **Methazolamide** every 24 to 48 hours to ensure a consistent and effective concentration of the drug. However, it is highly recommended to determine the stability of **Methazolamide** in your specific experimental setup empirically.

Troubleshooting Guides

Problem: Inconsistent or declining effect of **Methazolamide** over time.

Possible Cause 1: Degradation of **Methazolamide** in the culture medium.

- Troubleshooting Steps:

- Increase the frequency of media changes: Replace the culture medium with fresh **Methazolamide**-containing medium every 24 hours.
- Determine the half-life of **Methazolamide** in your specific culture medium: Conduct a stability study to quantify the rate of degradation under your experimental conditions (see Experimental Protocols section).
- Adjust dosing strategy: Based on the stability data, you may need to consider a continuous infusion method if your experimental setup allows, or more frequent bolus administrations.

Possible Cause 2: Cellular adaptation or resistance.

- Troubleshooting Steps:
 - Perform dose-response curves at different time points: This can help determine if the cells are becoming less sensitive to the drug over time.
 - Analyze expression levels of carbonic anhydrase isoforms: Prolonged exposure to an inhibitor can sometimes lead to compensatory changes in the expression of the target enzyme.
 - Consider intermittent dosing: A schedule of drug exposure followed by a drug-free period may help to mitigate the development of resistance.

Problem: Precipitation observed in the culture medium after adding **Methazolamide**.

Possible Cause 1: Poor solubility of **Methazolamide** at the working concentration.

- Troubleshooting Steps:
 - Ensure the final DMSO concentration is low: The final concentration of DMSO in the culture medium should typically be below 0.5% to avoid both direct cellular toxicity and precipitation of the compound.

- Prepare the working solution correctly: Add the **Methazolamide** stock solution to the pre-warmed culture medium and mix gently but thoroughly. Avoid adding the stock solution to cold medium.
- Consider using a solubilizing agent: In some cases, a pharmaceutically acceptable solubilizing agent may be necessary, but this should be carefully evaluated for its effects on the cells.

Data Presentation

Table 1: Factors Influencing **Methazolamide** Stability in Aqueous Solutions

Parameter	Effect on Stability	Recommendation for Cell Culture
pH	Maximum stability at pH 5.0; degradation increases at higher pH values.	Standard cell culture media have a pH of ~7.4, which can contribute to degradation. Consider this when planning long-term experiments.
Temperature	Higher temperatures accelerate degradation.	Standard incubation at 37°C will increase the rate of degradation compared to storage at lower temperatures.
Ionic Strength	Decreased ionic strength can have a stabilizing effect.	The ionic strength of cell culture media is relatively fixed, but be aware of this factor if preparing custom formulations.
Buffer Concentration	Lower buffer concentration can increase stability.	Cell culture media contain buffers to maintain pH, which is a necessary component for cell viability.

Note: Specific half-life data for **Methazolamide** in common cell culture media at 37°C is not readily available in the literature. It is highly recommended that researchers determine this empirically for their specific experimental conditions.

Experimental Protocols

Protocol 1: Determination of Methazolamide Stability in Cell Culture Medium

This protocol outlines a method to determine the stability of **Methazolamide** in your specific cell culture medium using High-Performance Liquid Chromatography (HPLC).

Materials:

- **Methazolamide** powder
- DMSO
- Your specific cell culture medium (e.g., DMEM with 10% FBS)
- HPLC system with a C18 column and UV detector
- Acetonitrile (HPLC grade)
- Water (HPLC grade)
- Formic acid (or other appropriate modifier for MS compatibility if used)
- Sterile microcentrifuge tubes
- Incubator (37°C, 5% CO₂)

Procedure:

- Prepare a standard curve:
 - Prepare a 10 mM stock solution of **Methazolamide** in DMSO.

- Prepare a series of standards by diluting the stock solution in your cell culture medium to final concentrations ranging from your expected experimental concentrations (e.g., 1 μM to 100 μM).
- Analyze these standards immediately by HPLC to generate a standard curve of peak area versus concentration.
- Prepare stability samples:
 - Prepare a solution of **Methazolamide** in your cell culture medium at your desired experimental concentration.
 - Aliquot this solution into several sterile microcentrifuge tubes.
- Incubate samples:
 - Place the tubes in a 37°C, 5% CO₂ incubator.
- Collect and analyze samples at different time points:
 - At designated time points (e.g., 0, 4, 8, 12, 24, 48, and 72 hours), remove one tube from the incubator.
 - Immediately analyze the sample by HPLC to determine the concentration of **Methazolamide** remaining.
- Data Analysis:
 - Using the standard curve, calculate the concentration of **Methazolamide** at each time point.
 - Plot the concentration of **Methazolamide** versus time.
 - Calculate the half-life ($t_{1/2}$) of **Methazolamide** in your cell culture medium by fitting the data to a first-order decay model.

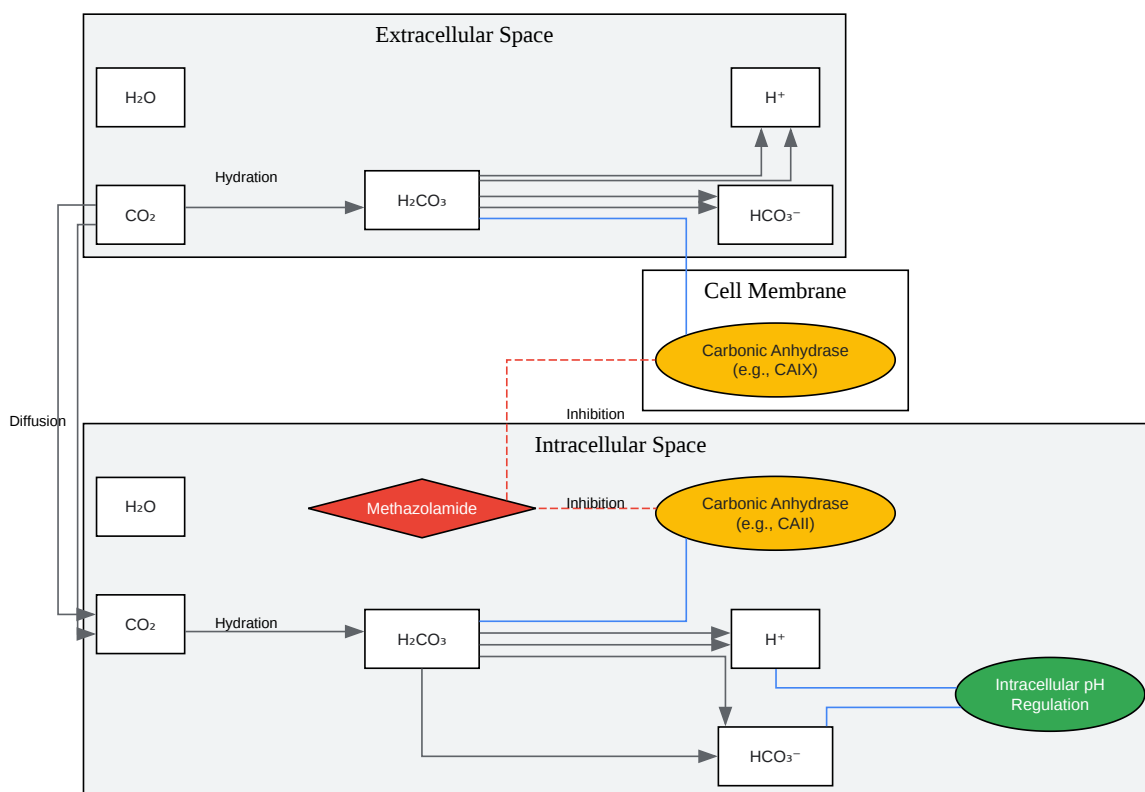
HPLC Conditions (Example):

- Column: C18 reverse-phase column (e.g., 4.6 x 150 mm, 5 μ m)
- Mobile Phase: A gradient of acetonitrile and water with 0.1% formic acid.
- Flow Rate: 1.0 mL/min
- Detection: UV at a wavelength determined by the absorbance maximum of **Methazolamide** (around 290 nm).
- Injection Volume: 20 μ L

Note: These HPLC conditions are a starting point and may need to be optimized for your specific system and requirements.

Mandatory Visualizations

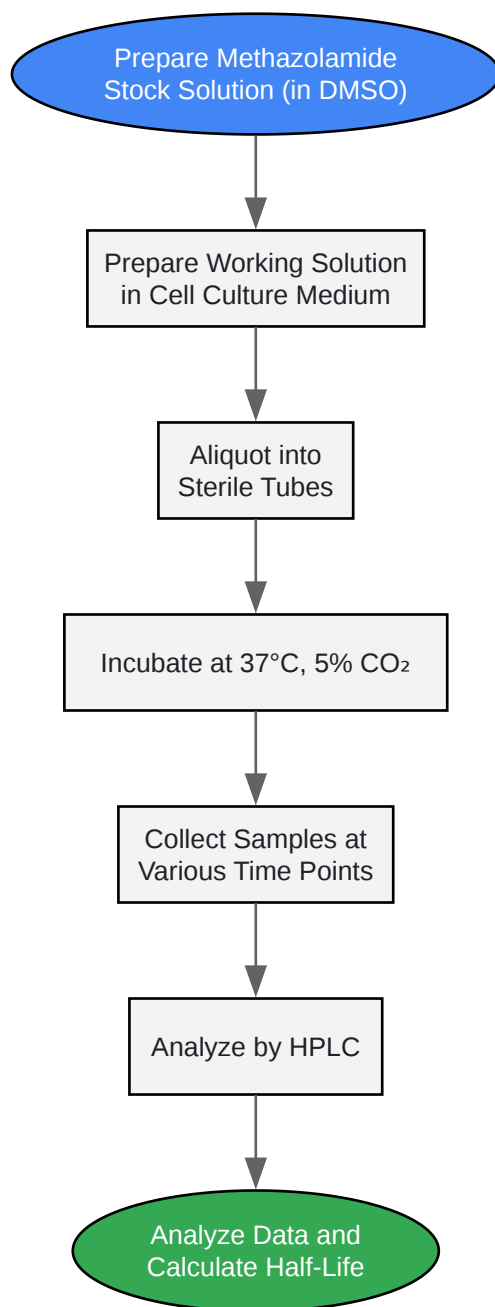
Signaling Pathway Diagrams



[Click to download full resolution via product page](#)

Caption: Mechanism of **Methazolamide** Action.

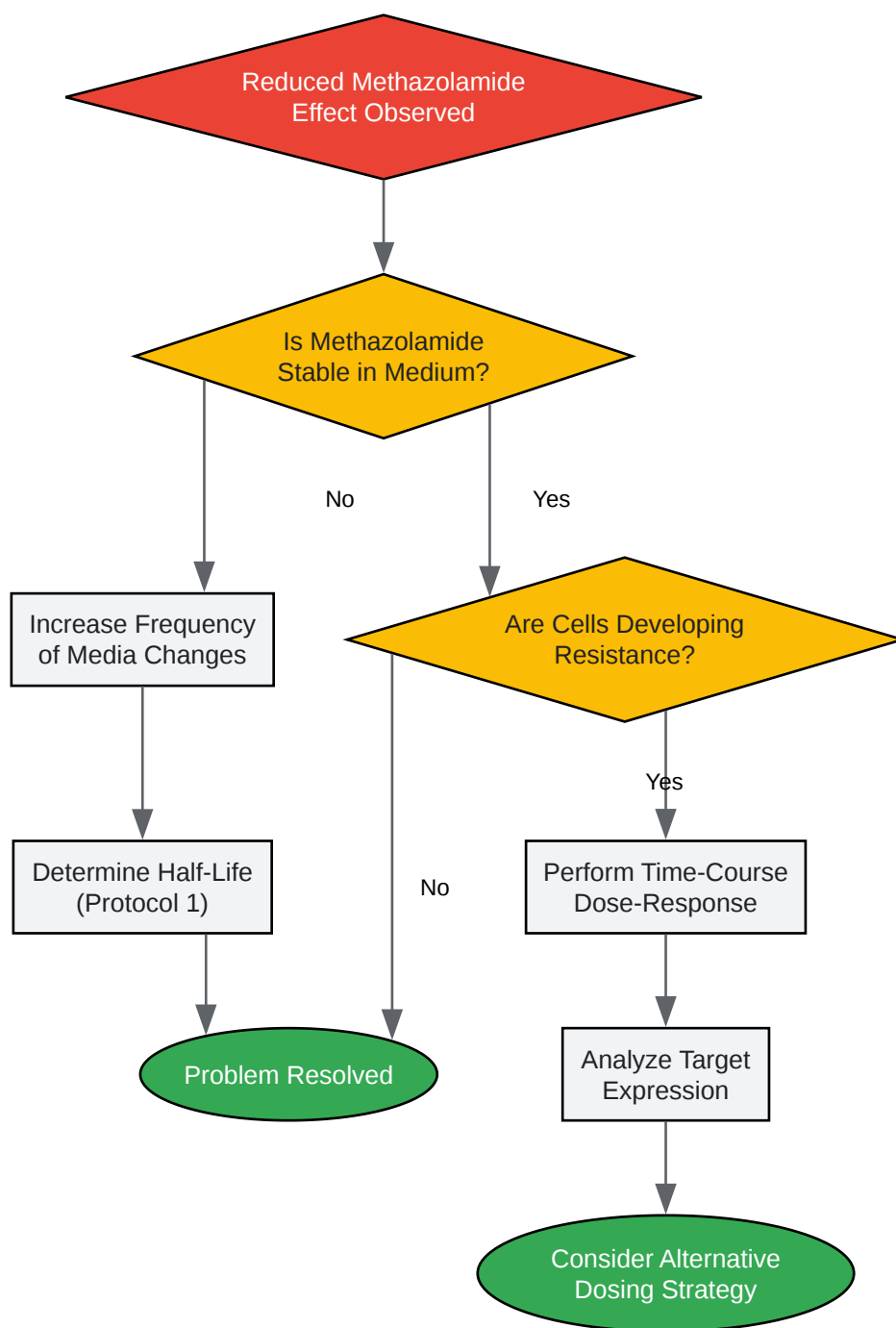
Experimental Workflow Diagram



[Click to download full resolution via product page](#)

Caption: Workflow for Determining **Methazolamide** Stability.

Troubleshooting Logic Diagram



[Click to download full resolution via product page](#)

Caption: Troubleshooting Logic for Reduced Drug Efficacy.

Need Custom Synthesis?

BenchChem offers custom synthesis for rare earth carbides and specific isotopic labeling.

Email: info@benchchem.com or [Request Quote Online](#).

References

- [1. pdfs.semanticscholar.org \[pdfs.semanticscholar.org\]](https://pdfs.semanticscholar.org)
- [2. mdpi.com \[mdpi.com\]](https://mdpi.com)
- [3. researchgate.net \[researchgate.net\]](https://researchgate.net)
- [4. researchgate.net \[researchgate.net\]](https://researchgate.net)
- [5. 细胞培养疑难解答_细胞生长不良_细胞结块-默克生命科学 \[sigmaaldrich.cn\]](https://sigmaaldrich.cn)
- [6. researchgate.net \[researchgate.net\]](https://researchgate.net)
- To cite this document: BenchChem. [Technical Support Center: Overcoming Methazolamide Instability in Long-Term Cell Culture Experiments]. BenchChem, [2026]. [Online PDF]. Available at: [<https://www.benchchem.com/product/b10762108/docs#technical-support-center-overcoming-methazolamide-instability-in-long-term-cell-culture-experiments>]

Disclaimer & Data Validity:

The information provided in this document is for Research Use Only (RUO) and is strictly not intended for diagnostic or therapeutic procedures. While BenchChem strives to provide accurate protocols, we make no warranties, express or implied, regarding the fitness of this product for every specific experimental setup.

Technical Support: The protocols provided are for reference purposes. Unsure if this reagent suits your experiment?

Need Industrial/Bulk Grade? [Request Custom Synthesis Quote](#)

BenchChem

Our mission is to be the trusted global source of essential and advanced chemicals, empowering scientists and researchers to drive progress in science and industry.

Contact

Address: 3281 E Guasti Rd
Ontario, CA 91761, United States
Phone: (601) 213-4426
Email: info@benchchem.com

Contact our Ph.D. Support Team for a compatibility check