

# In Vitro Profile of GW694590A: A Technical Overview

**Author:** BenchChem Technical Support Team. **Date:** April 2026

## Compound of Interest

Compound Name: GW694590A

Cat. No.: B10755036

[Get Quote](#)

For Researchers, Scientists, and Drug Development Professionals

## Introduction

**GW694590A**, also identified as UNC10112731, is a small molecule inhibitor initially characterized for its role as a MYC protein stabilizer and its inhibitory activity against several receptor tyrosine kinases (RTKs). This technical guide provides a comprehensive summary of the preliminary in-vitro studies of **GW694590A**, presenting key quantitative data, detailed experimental methodologies, and visual representations of associated cellular pathways and workflows.

## Core Activities: Kinase Inhibition and MYC Protein Stabilization

**GW694590A** has demonstrated two primary in-vitro biological activities:

- **Inhibition of Receptor Tyrosine Kinases:** The compound exhibits inhibitory effects on Discoidin Domain Receptor 2 (DDR2), KIT, and Platelet-Derived Growth Factor Receptor Alpha (PDGFR $\alpha$ ).

- Stabilization of MYC Protein: **GW694590A** has been shown to increase the levels of endogenous MYC protein, a key transcription factor often dysregulated in cancer.

## Quantitative Data Summary

The following tables summarize the available quantitative data for the in-vitro activities of **GW694590A**.

Table 1: Receptor Tyrosine Kinase Inhibition

Target Kinase	% Inhibition at 1 $\mu$ M
DDR2	81% <sup>[1]</sup> <sup>[2]</sup>
KIT	68% <sup>[1]</sup> <sup>[2]</sup>
PDGFR $\alpha$	67% <sup>[1]</sup>

Table 2: MYC Protein Stabilization

Cell Line	Fold Increase in Endogenous MYC
Pancreatic Ductal Adenocarcinoma (PDAC) cell lines (various)	2- to 20-fold

## Experimental Protocols

### In Vitro Kinase Inhibition Assay (General Protocol)

This protocol outlines a general procedure for assessing the inhibitory activity of **GW694590A** against target kinases like DDR2, KIT, and PDGFR $\alpha$ . Specific concentrations and conditions may need to be optimized for each kinase.

Objective: To determine the percentage of inhibition of kinase activity by **GW694590A**.

Materials:

- Recombinant human kinase (DDR2, KIT, or PDGFR $\alpha$ )

- Kinase-specific substrate (e.g., a synthetic peptide)
- ATP (Adenosine triphosphate)
- Kinase assay buffer (e.g., 40 mM Tris-HCl, pH 7.5, 20 mM MgCl<sub>2</sub>, 0.1 mg/ml BSA, 50 μM DTT)
- **GW694590A** (dissolved in DMSO)
- Microplate (e.g., 384-well)
- Detection reagent (e.g., ADP-Glo™ Kinase Assay kit)
- Plate reader for luminescence detection

#### Procedure:

- **Compound Preparation:** Prepare a serial dilution of **GW694590A** in DMSO. Further dilute in kinase assay buffer to the desired final concentrations. Include a DMSO-only control.
- **Reaction Setup:** In a microplate, add the recombinant kinase and its specific substrate to the kinase assay buffer.
- **Inhibitor Addition:** Add the diluted **GW694590A** or DMSO control to the wells containing the kinase and substrate.
- **Reaction Initiation:** Initiate the kinase reaction by adding ATP to each well.
- **Incubation:** Incubate the plate at 30°C for a predetermined time (e.g., 60 minutes) to allow for the phosphorylation reaction to occur.
- **Reaction Termination and Detection:** Stop the reaction and measure the amount of ADP produced (or ATP consumed) using a suitable detection reagent according to the manufacturer's protocol. For luminescence-based assays, this typically involves adding the detection reagent which converts ADP to ATP and then uses a luciferase/luciferin reaction to generate a light signal.

- **Data Analysis:** Measure the luminescence using a plate reader. The percentage of inhibition is calculated by comparing the signal from the **GW694590A**-treated wells to the DMSO control wells.

## Cell-Based MYC Stabilization Assay

This protocol is based on the methodology used to identify and validate **GW694590A** as a MYC stabilizer.

**Objective:** To quantify the effect of **GW694590A** on the levels of endogenous MYC protein in cultured cells.

**Materials:**

- Human cancer cell lines (e.g., Pancreatic Ductal Adenocarcinoma cell lines)
- Complete cell culture medium
- **GW694590A** (dissolved in DMSO)
- DMSO (vehicle control)
- Lysis buffer (e.g., RIPA buffer with protease and phosphatase inhibitors)
- BCA protein assay kit
- SDS-PAGE gels
- PVDF membranes
- Primary antibodies: anti-MYC and anti-loading control (e.g., anti-GAPDH or anti- $\beta$ -actin)
- HRP-conjugated secondary antibody
- Chemiluminescent substrate
- Imaging system for western blotting

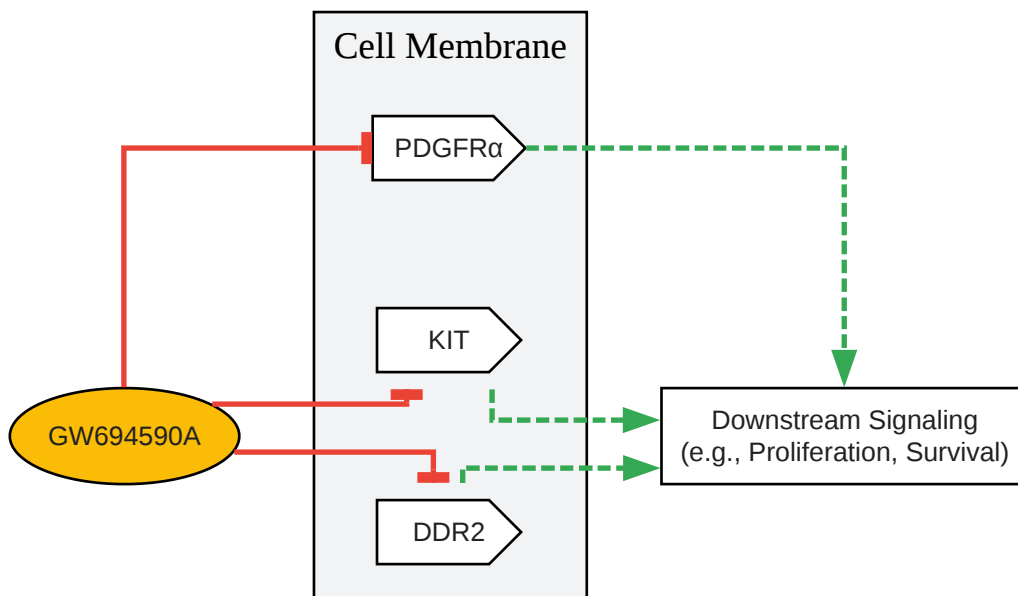
**Procedure:**

- **Cell Culture and Treatment:** Seed the chosen cell line in multi-well plates and allow them to adhere overnight. Treat the cells with various concentrations of **GW694590A** or DMSO for a specified period (e.g., 6 hours).
- **Cell Lysis:** After treatment, wash the cells with ice-cold PBS and lyse them using lysis buffer.
- **Protein Quantification:** Determine the protein concentration of each lysate using a BCA protein assay.
- **Western Blotting:**
  - Normalize the protein amounts for each sample and separate the proteins by SDS-PAGE.
  - Transfer the separated proteins to a PVDF membrane.
  - Block the membrane with a suitable blocking buffer (e.g., 5% non-fat milk in TBST) for 1 hour at room temperature.
  - Incubate the membrane with the primary anti-MYC antibody and the anti-loading control antibody overnight at 4°C.
  - Wash the membrane and incubate with the appropriate HRP-conjugated secondary antibody for 1 hour at room temperature.
  - Wash the membrane again and add a chemiluminescent substrate.
- **Data Analysis:** Capture the chemiluminescent signal using an imaging system. Quantify the band intensities for MYC and the loading control. Normalize the MYC band intensity to the loading control band intensity. The fold increase in MYC protein levels is calculated by comparing the normalized MYC levels in **GW694590A**-treated cells to the DMSO-treated control cells.

## Visualizations

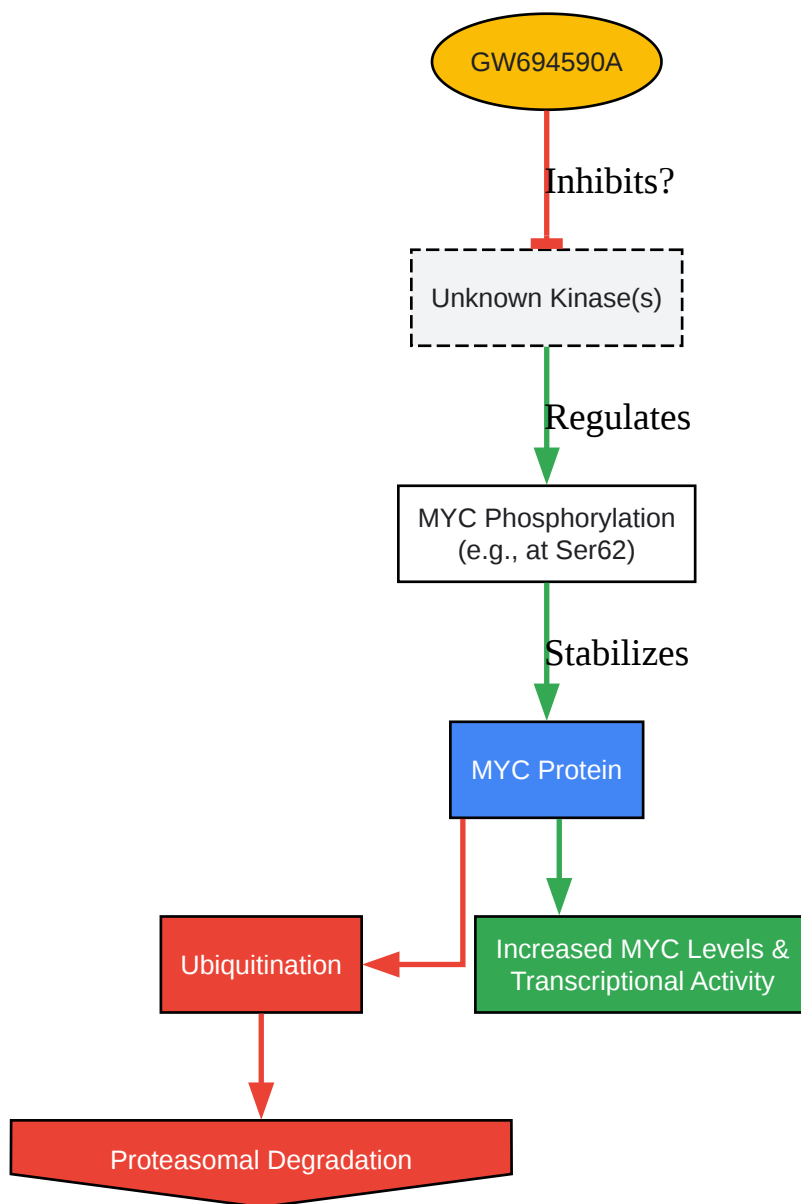
## Signaling Pathway and Experimental Workflow Diagrams

The following diagrams, generated using Graphviz (DOT language), illustrate the key signaling pathways and experimental workflows associated with the in-vitro studies of **GW694590A**.



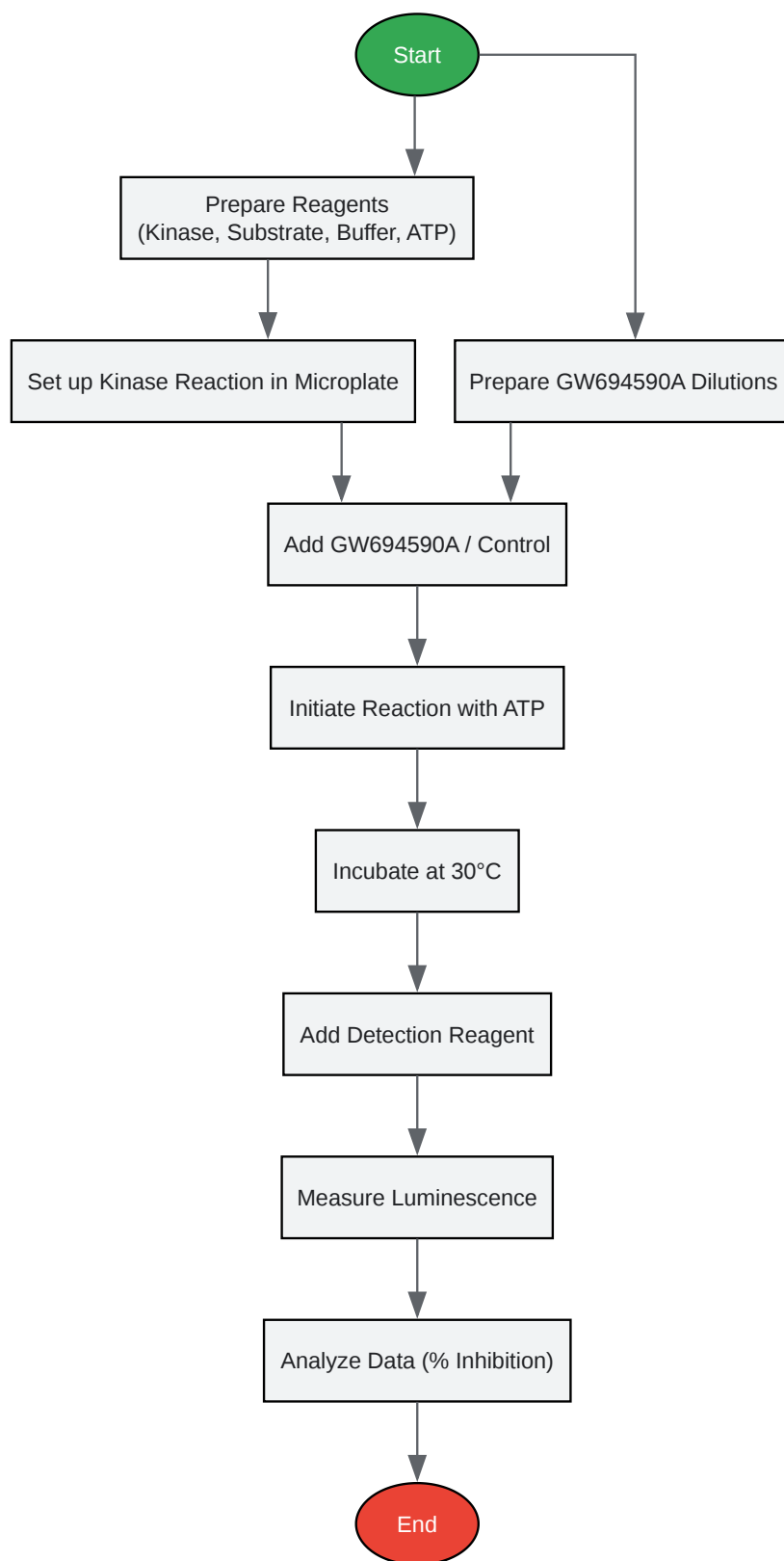
[Click to download full resolution via product page](#)

Caption: Inhibition of Receptor Tyrosine Kinase Signaling by **GW694590A**.



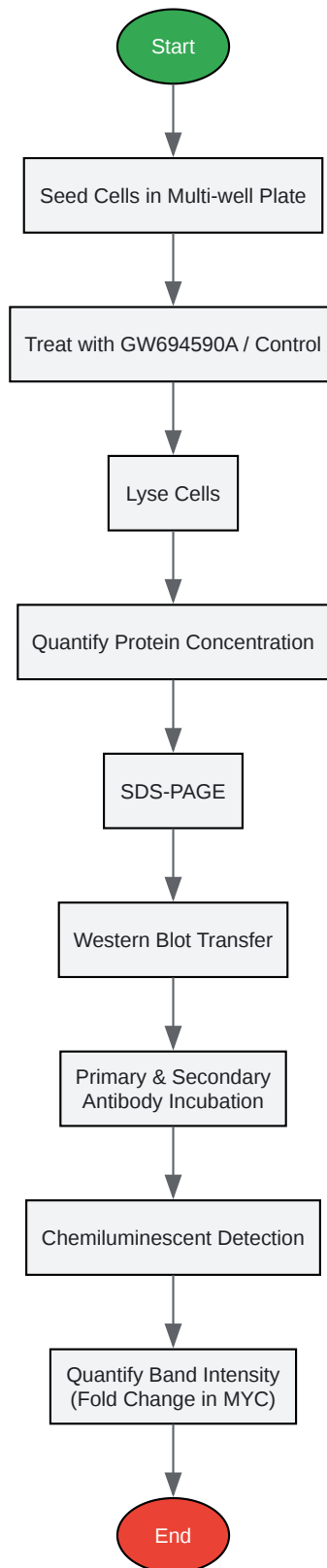
[Click to download full resolution via product page](#)

Caption: Postulated Mechanism of MYC Protein Stabilization by **GW694590A**.



[Click to download full resolution via product page](#)

Caption: General Workflow for an In Vitro Kinase Inhibition Assay.



[Click to download full resolution via product page](#)

Caption: Workflow for a Cell-Based MYC Protein Stabilization Assay.

### Need Custom Synthesis?

BenchChem offers custom synthesis for rare earth carbides and specific isotopic labeling.

Email: [info@benchchem.com](mailto:info@benchchem.com) or [Request Quote Online](#).

## References

- [1. medchemexpress.com \[medchemexpress.com\]](https://www.medchemexpress.com)
- [2. medchemexpress.com \[medchemexpress.com\]](https://www.medchemexpress.com)
- To cite this document: BenchChem. [In Vitro Profile of GW694590A: A Technical Overview]. BenchChem, [2026]. [Online PDF]. Available at: [\[https://www.benchchem.com/product/b10755036/docs#in-vitro-profile-of-gw694590a-a-technical-overview\]](https://www.benchchem.com/product/b10755036/docs#in-vitro-profile-of-gw694590a-a-technical-overview)

### Disclaimer & Data Validity:

The information provided in this document is for Research Use Only (RUO) and is strictly not intended for diagnostic or therapeutic procedures. While BenchChem strives to provide accurate protocols, we make no warranties, express or implied, regarding the fitness of this product for every specific experimental setup.

**Technical Support:** The protocols provided are for reference purposes. Unsure if this reagent suits your experiment?

**Need Industrial/Bulk Grade?** [Request Custom Synthesis Quote](#)

## BenchChem

Our mission is to be the trusted global source of essential and advanced chemicals, empowering scientists and researchers to drive progress in science and industry.

### Contact

Address: 3281 E Guasti Rd

Ontario, CA 91761, United States

Phone: (601) 213-4426

Email: [info@benchchem.com](mailto:info@benchchem.com)

Contact our Ph.D. Support Team for a compatibility check