

In Vitro Characterization of (Z)-SU14813: A Technical Guide

Author: BenchChem Technical Support Team. **Date:** April 2026

Compound of Interest

Compound Name: (Z)-SU14813

Cat. No.: B10752453

[Get Quote](#)

For Researchers, Scientists, and Drug Development Professionals

This technical guide provides an in-depth overview of the in vitro characterization of **(Z)-SU14813**, a potent, orally available, multi-targeted receptor tyrosine kinase (RTK) inhibitor. SU14813 has demonstrated significant anti-angiogenic and antitumor activities by targeting key signaling pathways involved in cancer progression.^{[1][2][3]} This document summarizes its inhibitory activity, details the experimental protocols for its characterization, and visualizes the relevant signaling pathways.

Kinase Inhibition Profile

(Z)-SU14813 exhibits potent inhibitory activity against a spectrum of receptor tyrosine kinases, primarily targeting the vascular endothelial growth factor receptors (VEGFRs), platelet-derived growth factor receptors (PDGFRs), c-Kit, and FMS-like tyrosine kinase 3 (FLT3).^{[1][2]} Its multi-targeted nature allows for the simultaneous blockade of several oncogenic signaling pathways.^{[1][2]}

Table 1: Biochemical Kinase Inhibition by (Z)-SU14813

Target Kinase	IC ₅₀ (nM)
VEGFR1 (Flt-1)	2[4][5][6]
VEGFR2 (KDR/Flk-1)	50[4][5][6]
PDGFR β	4[4][5][6]
c-Kit	15[4][5][6]
FLT3	Data not available in provided results
CSF1R/FMS	Data not available in provided results
FGFR-1	3500
EGFR	>20000
Src	2500
cMet	9000

Table 2: Cellular Activity of (Z)-SU14813

Assay Type	Cell Line/System	Target	IC ₅₀ (nM)
Receptor Phosphorylation	Porcine Aortic Endothelial Cells	VEGFR2	5.2[4]
Receptor Phosphorylation	Porcine Aortic Endothelial Cells	PDGFR β	9.9[4]
Receptor Phosphorylation	Porcine Aortic Endothelial Cells	c-Kit	11.2[4]
Cell Proliferation	U-118MG (Glioblastoma)	-	50-100[4]
Endothelial Cell Survival	Human Umbilical Vein Endothelial Cells (HUVEC)	VEGF-stimulated	6.8

Experimental Protocols

Detailed methodologies for the key in vitro assays used to characterize **(Z)-SU14813** are provided below.

Biochemical Kinase Assays

This assay determines the direct inhibitory effect of SU14813 on the enzymatic activity of purified kinase domains.

Methodology:

- **Enzyme and Substrate Preparation:** Recombinant glutathione S-transferase (GST)-fusion proteins containing the cytoplasmic domains of the target RTKs are used as the enzyme source. A generic tyrosine-containing peptide is used as a substrate.
- **Reaction Mixture:** The kinase reaction is performed in a buffer containing ATP and MgCl₂.
- **Inhibitor Addition:** **(Z)-SU14813** is serially diluted and added to the reaction mixture.
- **Initiation and Incubation:** The reaction is initiated by the addition of the enzyme. The mixture is incubated at room temperature to allow for substrate phosphorylation.
- **Detection:** The amount of phosphorylated substrate is quantified. This is often achieved using methods like ELISA with a phospho-specific antibody or by measuring the incorporation of radiolabeled phosphate from [γ -³²P]ATP.
- **Data Analysis:** The concentration of SU14813 that inhibits 50% of the kinase activity (IC₅₀) is calculated by fitting the data to a dose-response curve.^[1]

Cellular Receptor Phosphorylation Assays

This assay measures the ability of SU14813 to inhibit the phosphorylation of its target receptors within a cellular context.

Methodology:

- **Cell Culture:** Cells endogenously expressing the target receptor (e.g., Mo7e cells for c-Kit) or engineered to overexpress the receptor (e.g., transfected NIH 3T3 or porcine aortic endothelial cells) are used.^[4]

- Serum Starvation: Cells are cultured in low-serum media overnight to reduce basal receptor activation.
- Inhibitor Treatment: Cells are pre-incubated with varying concentrations of **(Z)-SU14813**.
- Ligand Stimulation: The respective ligand (e.g., VEGF for VEGFR, PDGF for PDGFR) is added to stimulate receptor autophosphorylation.
- Cell Lysis: Cells are lysed to extract cellular proteins.
- Phosphorylation Detection: The level of receptor phosphorylation is determined using methods such as Western blotting or ELISA with antibodies specific to the phosphorylated form of the receptor.
- Data Analysis: The IC₅₀ value, representing the concentration of SU14813 that inhibits 50% of ligand-stimulated receptor phosphorylation, is determined.^[1]

Growth Factor-Stimulated Endothelial Cell Survival Assay

This assay assesses the impact of SU14813 on the survival of endothelial cells, a critical process in angiogenesis.

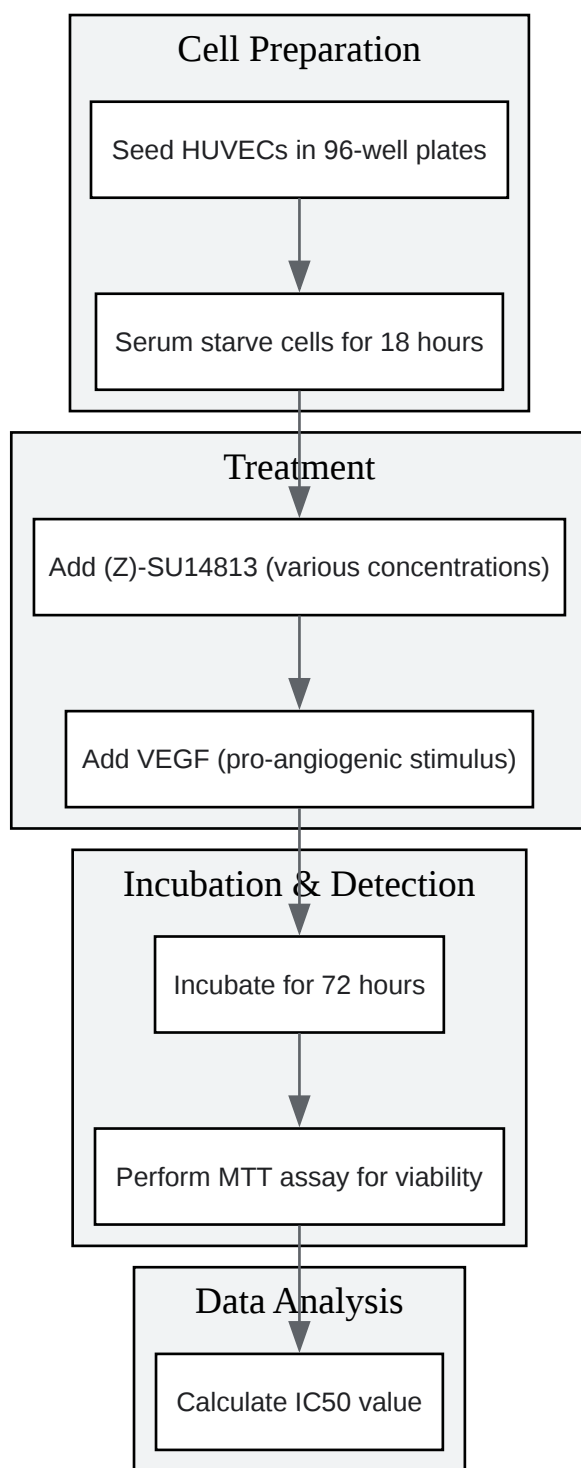
Methodology:

- Cell Seeding: Human Umbilical Vein Endothelial Cells (HUVECs) are seeded in 96-well plates.^{[1][7]}
- Serum Starvation: Cells are starved in a low-serum medium for 18 hours.^{[1][7]}
- Inhibitor and Growth Factor Treatment: Cells are treated with various concentrations of **(Z)-SU14813** followed by stimulation with a pro-angiogenic growth factor such as VEGF.^{[1][7]}
- Incubation: The cells are incubated for a period of three days to allow for cell proliferation and survival.^[7]

- Viability Assessment: Cell viability is measured using a colorimetric assay such as the 3-(4,5-dimethylthiazol-2-yl)-2,5-diphenyltetrazolium bromide (MTT) assay.[7]
- Data Analysis: The IC₅₀ value for the inhibition of growth factor-stimulated cell survival is calculated.

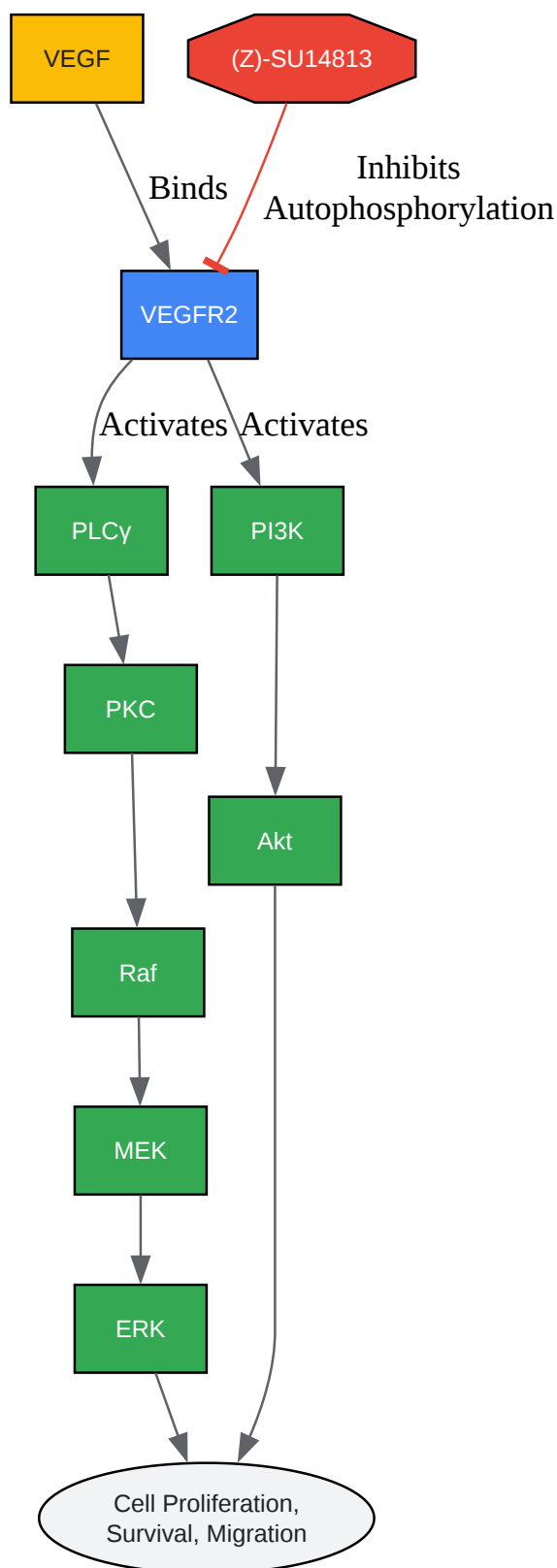
Visualizations

The following diagrams illustrate the signaling pathways targeted by **(Z)-SU14813** and a typical experimental workflow.



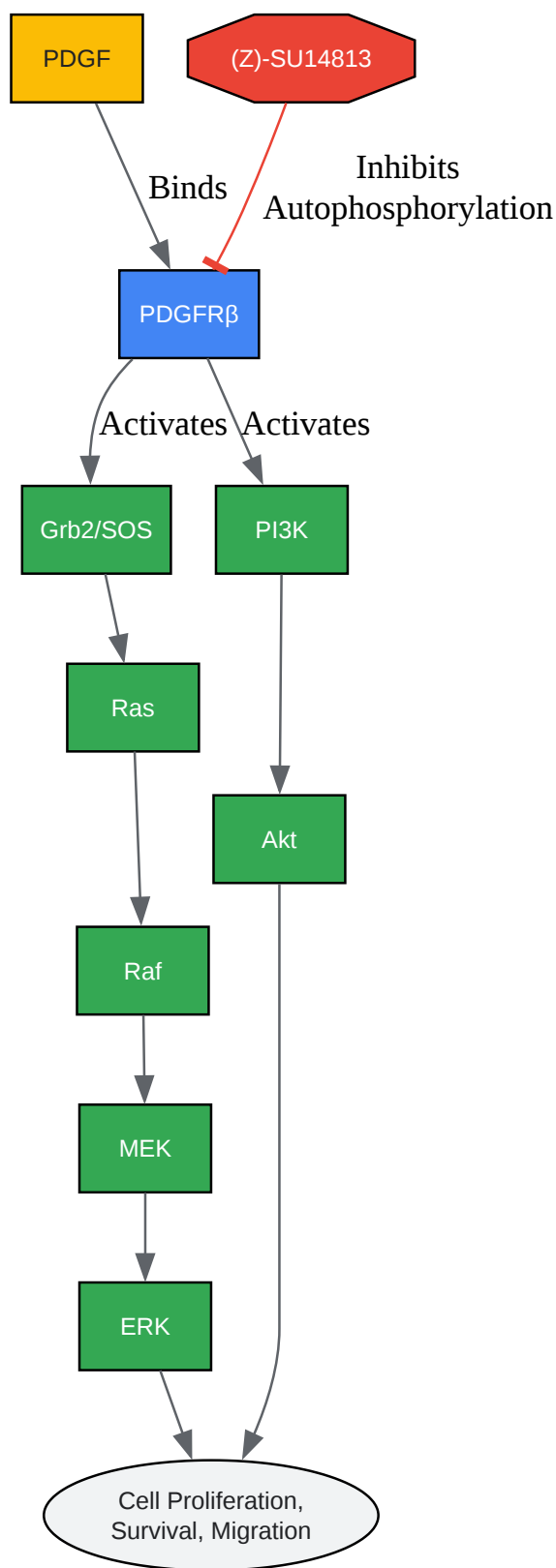
[Click to download full resolution via product page](#)

Caption: Workflow for an endothelial cell survival assay.



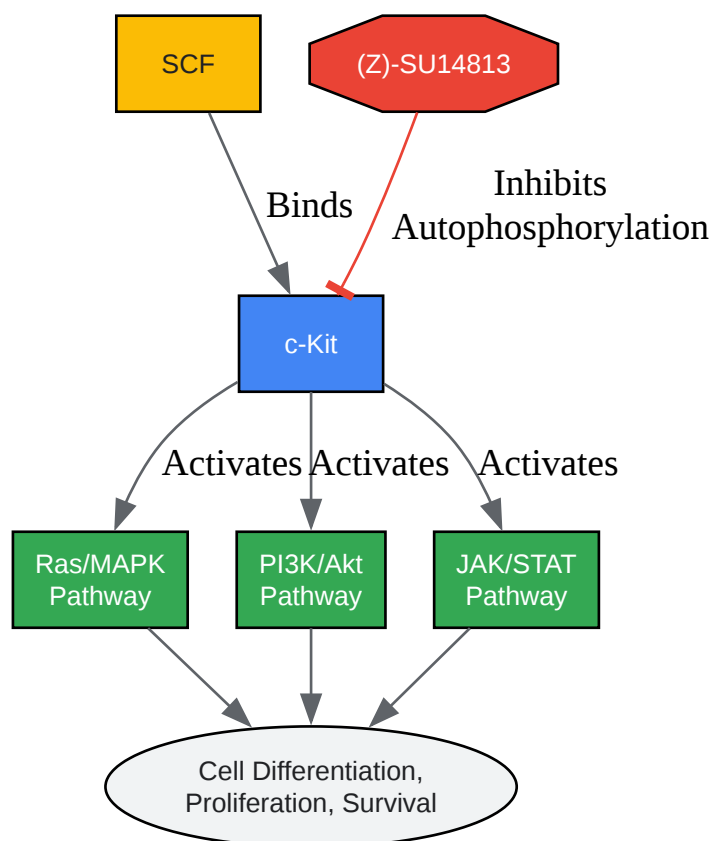
[Click to download full resolution via product page](#)

Caption: Simplified VEGFR2 signaling pathway and its inhibition.



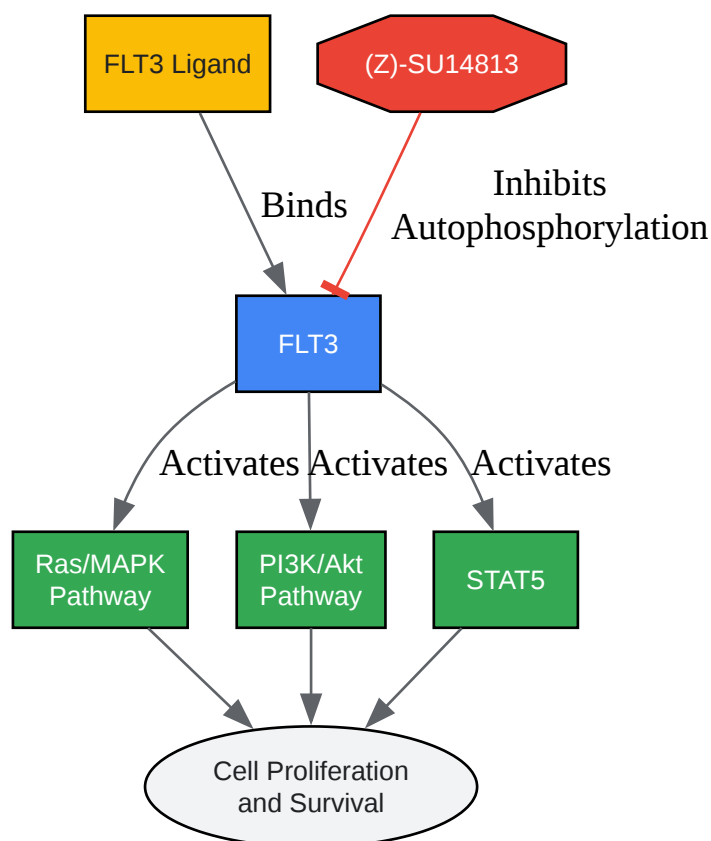
[Click to download full resolution via product page](#)

Caption: Simplified PDGFRβ signaling pathway and its inhibition.



[Click to download full resolution via product page](#)

Caption: Simplified c-Kit signaling pathway and its inhibition.



[Click to download full resolution via product page](#)

Caption: Simplified FLT3 signaling pathway and its inhibition.

Need Custom Synthesis?

BenchChem offers custom synthesis for rare earth carbides and specific isotopic labeling.

Email: info@benchchem.com or [Request Quote Online](#).

References

- 1. aacrjournals.org [aacrjournals.org]
- 2. SU14813: a novel multiple receptor tyrosine kinase inhibitor with potent antiangiogenic and antitumor activity - PubMed [pubmed.ncbi.nlm.nih.gov]
- 3. [PDF] SU14813: a novel multiple receptor tyrosine kinase inhibitor with potent antiangiogenic and antitumor activity | Semantic Scholar [semanticscholar.org]
- 4. medchemexpress.com [medchemexpress.com]

- [5. selleck.co.jp](https://www.selleck.co.jp) [[selleck.co.jp](https://www.selleck.co.jp)]
- [6. selleckchem.com](https://www.selleckchem.com) [[selleckchem.com](https://www.selleckchem.com)]
- [7. file.medchemexpress.eu](https://www.file.medchemexpress.eu) [[file.medchemexpress.eu](https://www.file.medchemexpress.eu)]
- To cite this document: BenchChem. [In Vitro Characterization of (Z)-SU14813: A Technical Guide]. BenchChem, [2026]. [Online PDF]. Available at: [<https://www.benchchem.com/product/b10752453/docs#in-vitro-characterization-of-z-su14813-a-technical-guide>]

Disclaimer & Data Validity:

The information provided in this document is for Research Use Only (RUO) and is strictly not intended for diagnostic or therapeutic procedures. While BenchChem strives to provide accurate protocols, we make no warranties, express or implied, regarding the fitness of this product for every specific experimental setup.

Technical Support: The protocols provided are for reference purposes. Unsure if this reagent suits your experiment?

Need Industrial/Bulk Grade? [Request Custom Synthesis Quote](#)

BenchChem

Our mission is to be the trusted global source of essential and advanced chemicals, empowering scientists and researchers to drive progress in science and industry.

Contact

Address: 3281 E Guasti Rd
Ontario, CA 91761, United States
Phone: (601) 213-4426
Email: info@benchchem.com

[Contact our Ph.D. Support Team for a compatibility check](#)

